

nyne

Rock

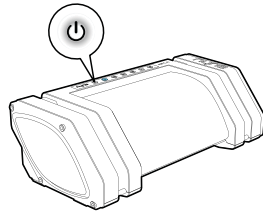
Portable Bluetooth Speaker

nyne.com CE 2200

QUG-Nyne Rock-11-17-2015-V1.0

All registered and unregistered trademarks are property of their respective owners.
Nyne Multimedia Inc.
All rights reserved.

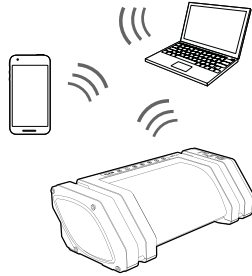
nyne



EN Press and hold **⏻** until the speaker powers on. The power button lights up white.

EN For first-time use, the Bluetooth indicator flashes blue quickly, indicating that the speaker is in pairing mode.

Tip: When you power on the speaker again after Bluetooth setup, the speaker will search for a previously paired device and the Bluetooth indicator will flash slowly. If no paired device is found, it will flash quickly and the speaker will enter pairing mode.



EN Play music on your device paired and connected with the speaker.

Note: This speaker supports automatic connection with a previously paired device after power-off and power-on again.

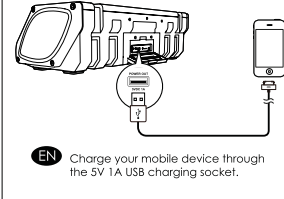
During music play:

- Press **+/-** to adjust volume.
- Press **⏮** to skip to the previous or next song.
- Press **⏸** to pause or resume music play.

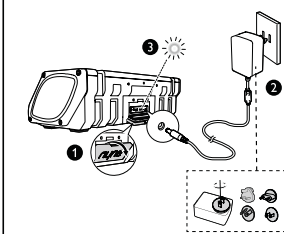
When you make a call or there is an incoming call, you can use the speaker as a speaker phone.

- When there is an incoming call, you can press **⏻** to receive the call or press **⏻** twice to reject the call.
- During a call, you can press **⏻** to end the call.
- In BT mode, you can press **⏻** twice to access the voice assistant on your smart device. To exit the voice assistant, press **⏻** twice again.

Tip: Music play is paused during a call and resumed automatically when the call ends. You can press and hold **⏻** to disconnect the current Bluetooth connection.

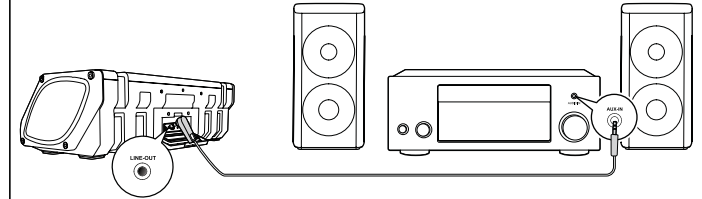


EN Charge your mobile device through the 5V 1A USB charging socket.

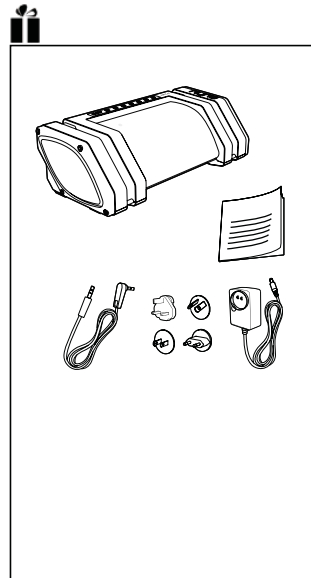


EN Charge the speaker until all five charging indicators light up at once indicating the battery is fully charged.

Tip: You can press **LEVEL** to check the battery status. When most of the charging indicators are off, it indicates that the battery is low and needs to be recharged.



EN To stream music to multiple speakers at one time, connect the LINE-OUT socket on your NYNE Rock to the AUX-IN socket on any other speaker via the supplied 3.5mm cable.



a NFC

OR

b

EN 1 Make sure that the speaker is in pairing mode.
2 Enable Bluetooth on your device to be paired with the speaker.
a. Enable NFC on your Bluetooth device, and then touch the NFC transmitter on your device with the NFC area of the speaker.
b. Select "NYNE Rock" from the available devices (if necessary, enter the password such as "0000" or "1234") to start pairing and connection with the speaker.
3 After successful connection, the Bluetooth indicator turns solid blue and the speaker beeps.

Tip: This speaker supports automatic connection with a previously paired device after power-off and power-on again. You can press and hold **⏻** for more than 2 seconds to enter manual pairing mode. In this way, you can pair the speaker with a new Bluetooth device. You can press and hold **⏻** for more than 10 seconds to clear all paired Bluetooth devices. This speaker is compatible with the voice assistant on your smart device.

- EN** 1 Connect an auxiliary MP3 device to the speaker through the supplied 3.5mm audio cable.
2 Play and control music on the MP3 device, and use **+/-** on the speaker to adjust volume if necessary.

Tip: In AUX IN mode, you can press **⏸** to mute sound output from the speaker. When the 3.5mm audio cable is plugged in, the speaker switches to AUX IN mode automatically. When it is unplugged, the speaker switches back to Bluetooth mode.

nyne

Rock

EN Portable Bluetooth Speaker



The exclamation point within an equilateral triangle is intended to alert the user to the presence of important operating and servicing instructions in the literature accompanying the device.

WARNING: Where the mains plug/appliance coupler is used as the disconnect device, the disconnect device shall remain readily operable.

WARNING: The battery (battery or batteries or battery pack) shall not be exposed to excessive heat such as sunshine, fire or the like.

Read these instructions before operation.

Keep these instructions for future reference.

Follow all instructions for installation, use and maintenance of the device.

This device complies with the IPX3 waterproof standard.

Before using the device in the rain or moistly conditions or rinsing the device with fresh water, always securely close the protective cover at the back of the device.

Never open the protective cover when the device is still wet after use. Always clean with a soft dry cloth and let it dry in a well-ventilated place away from direct sunlight. To clean the device, disconnect power first. Clean only with soft and dry cloth.

To ensure compability, only use accessories recommended by the manufacturer.

When the device is suddenly moved from cold to warm surroundings, condensation may form in the housing of the device. Before use, leave the device in the warm environment until the moisture evaporates.

Keep the device away from heat sources, such as a radiator, heater, oven, amplifier, naked flames or direct sunlight. No naked flame sources, such as lighted candles, should be placed on the apparatus.

When you use the flashlight or warning light features of the device, the lens may get very hot after some time. This is not a malfunction.

Never block any ventilation openings. Install in accordance with the manufacturer's instructions.

- Do not expose the device to sand or dust, or cover it with items, such as newspapers, table cloths, or curtains.
- Do not operate the device in an enclosed cabinet. Leave sufficient free space around the device for adequate ventilation.

Do not attempt to repair or service the device yourself. Opening or removing the cabinet may expose you to electric shock, and other hazards. If repair is required, contact your dealer and refer all servicing to qualified service personnel.

Do not use the device if any abnormally occurs. If any smoke or odor becomes apparent, contact your dealer immediately. Do not try to repair the device yourself.

Avoid using dropped or damaged appliances. If the device is dropped and the housing is damaged, the internal components may not function normally. Stop use and contact your dealer for repair. Continued use of the device may cause fire or electric shock.

To reduce the risk of electric shock, do not touch any connector with wet hands.

Never remove the housing of the device.

Never substitute any part of the device.

Never place the device on top of any other electrical equipment.

This equipment is a Class II or double insulated electrical appliance. It has been designed in such a way that it does not require a safety connection to electrical earth.



Notice

Modification

Any modification (such as removing the speaker grill) to the device, without prior authorization from the manufacturer, may void your warranty and authority to operate the device.

FCC compliance statement

This equipment has been tested and found to comply with the limits for a Class B digital device, pursuant to part 15 of the FCC Rules. These limits are designed to provide reasonable protection against harmful interference in a residential installation. This equipment generates, uses, and can radiate radio frequency energy and, if not installed and used in accordance with the instruction manual, may cause harmful interference to radio communications. However, there is no guarantee that interference will not occur in a particular installation. If this equipment does cause harmful interference to radio or television reception, which can be determined by turning the equipment off and on, the user is encouraged to try to correct the interference by one or more of the following measures:

- Relocate the receiving antenna.
- Increase the separation between the equipment and receiver.
- Connect the equipment into an outlet on a circuit different from that to which the receiver is connected.
- Consult the dealer or an experienced radio/TV technician for help.

This device complies with Part 15 of the FCC Rules. Operation is subject to the following two conditions: (1) This device may not cause harmful interference, and (2) This device must accept any interference received, including interference that may cause undesired operation.

Any Changes or modifications not expressly approved by the party responsible for compliance could void the user's authority to operate the equipment.

This Class B digital apparatus complies with Canadian ICES-003. Cet appareil numérique de la classe B est conforme à la norme NMB-003 du Canada.

This device complies with FCC RF radiation exposure limits set forth for an uncontrolled environment.

This equipment should be installed and operated with a minimum distance of 20cm between the radiator and your body.

This device and its antenna(s) must not be co-located or conjunction with any other antenna or transmitter.

CE statement

CE 2200

This product complies with the radio interference requirements of the European Community.

Recycling

Packaging

Observe the local regulations for how to dispose of the packaging materials.

WEEE NOTICE

The Directive on Waste Electrical and Electronic Equipment (WEEE), which entered into force as European law on 13th February 2003, resulted in a major change in the treatment of electrical equipment at end-of-life.

The purpose of this Directive is, as a first priority, the prevention of WEEE, and in addition, to promote the reuse, recycling and other forms of recovery of such wastes so as to reduce disposal.

The WEEE logo on the product or on its box indicating collection for electrical and electronic equipment consists of the crossed-out wheeled bin, as shown below.

This product must not be disposed of or dumped with your other household waste. You are liable to dispose of all your electronic or electrical waste equipment by relocating over to the specified collection point for recycling of such hazardous waste. Isolated collection and proper recovery of your electronic and electrical waste equipment of the time of disposal will allow us to help conserving natural resources. Moreover, proper recycling of the electronic and electrical waste equipment will ensure safety of human health and environment. For more information about electronic and electrical waste equipment disposal, recovery, and collection points, please contact your local city center, household waste disposal service, shop from where you purchased the equipment, or manufacturer of the equipment.



ROHS COMPLIANCE

This product is in compliance with Directive 2011/65/EU of the European Parliament and the Council of 8 June 2011 on the restriction of the use of certain hazardous substances in electrical and electronic equipment.

FOR PRODUCTS THAT INCLUDE BATTERIES

EU Batteries Directive 2006/66/EC

A new battery directive 2006/66/EC on Battery and Accumulator replacing directive entered into force on the 26th September 2008. The directive applies to all types of batteries and accumulators (AA, AAA, button cells, lead acid, rechargeable packs) including those incorporated into appliances except for military, medical and power tool applications.

The directive sets out rules for collection, treatment, recycling and disposal of batteries, and aims to prohibit certain hazardous substances and to improve environmental performance of batteries and all operators in the supply chain.

Instructions for Users on Removal, Recycling and Disposal of Used Batteries

To remove the batteries from your equipment or remote control, reverse the procedure described in the owner's manual for inserting batteries.

For products with a built-in battery that lasts for the lifetime of the product, removal may not be possible for the user. In this case, recycling or recovery centers handle the dismantling of the product and the removal of the battery. If, for any reason, it becomes necessary to replace such a battery, this procedure must be performed by authorized service centers. In the European Union and other locations, it is illegal to dispose of any battery with household trash. All batteries must be disposed of in an environmentally sound manner. Contact your local waste-management officials for information regarding the environmentally sound collection, recycling and disposal of used batteries.

WARNING: Danger of explosion if battery is incorrectly replaced. To reduce risk of fire or burns, don't disassemble, crush, puncture, short external contacts, expose to temperature above 60°C (140°F), or dispose of in fire or water. Replace only with specified batteries.

The symbol indicating "separate collection" for all batteries and accumulators shall be the crossed-out wheeled bin shown below. In case of batteries, accumulators and button cells containing more than 0.0005 % mercury, more than 0.002 % cadmium or more than 0.004 % lead, shall be marked with the chemical symbol for the metal concerned: Hg, Cd or Pb respectively. Please Refer to the below symbol:



Copyright



The Bluetooth word mark and logos are owned by the Bluetooth SIG, Inc. and any use of such marks by Nyne Multimedia Inc. is under license.

Specifications

The technical specifications are subject to change without prior notice.

Output power	Main: 2 x 12.5 W + 2 x 5.5 W Woof: 1 x 25W
DC power input	18VDC
Speaker drivers	Main: 2 x 78mm + 2 x 30mm Woof: 1 x 150mm
S/N	>50dB
THD+N	<10%
Dimension	21.18 [W] x 6.5 [H] x 9.72 [D] inches
Weight	4.6kg
Audio input	1 x 3.5 mm socket 1 x wireless input (Bluetooth)
Wireless	Bluetooth 4.0 CLASS 2
Bluetooth profiles	HFP, A2DP, AVRCP
Battery capacity	7.4V 6600mAh
Battery type	Lithium-ion
Play time	10 - 12 hours

Important Safety



The lightning flash with arrowhead symbol within an equilateral triangle is intended to alert the user to the presence of un-isolated, dangerous voltage within the inside of the device that may be of sufficient magnitude to constitute a risk of electric shock to persons.

Warning: To reduce the risk of electric shock, do not remove cover (or back) as there are no user-serviceable parts inside. Refer servicing to qualified personnel.

nyne.com CE 2200

SG - Nyne Rock-12-21-2016-V 1.0

Specifications are subject to change without notice. All registered and unregistered trademarks are property of their respective owners. Nyne Multimedia Inc. All rights reserved.

nyne