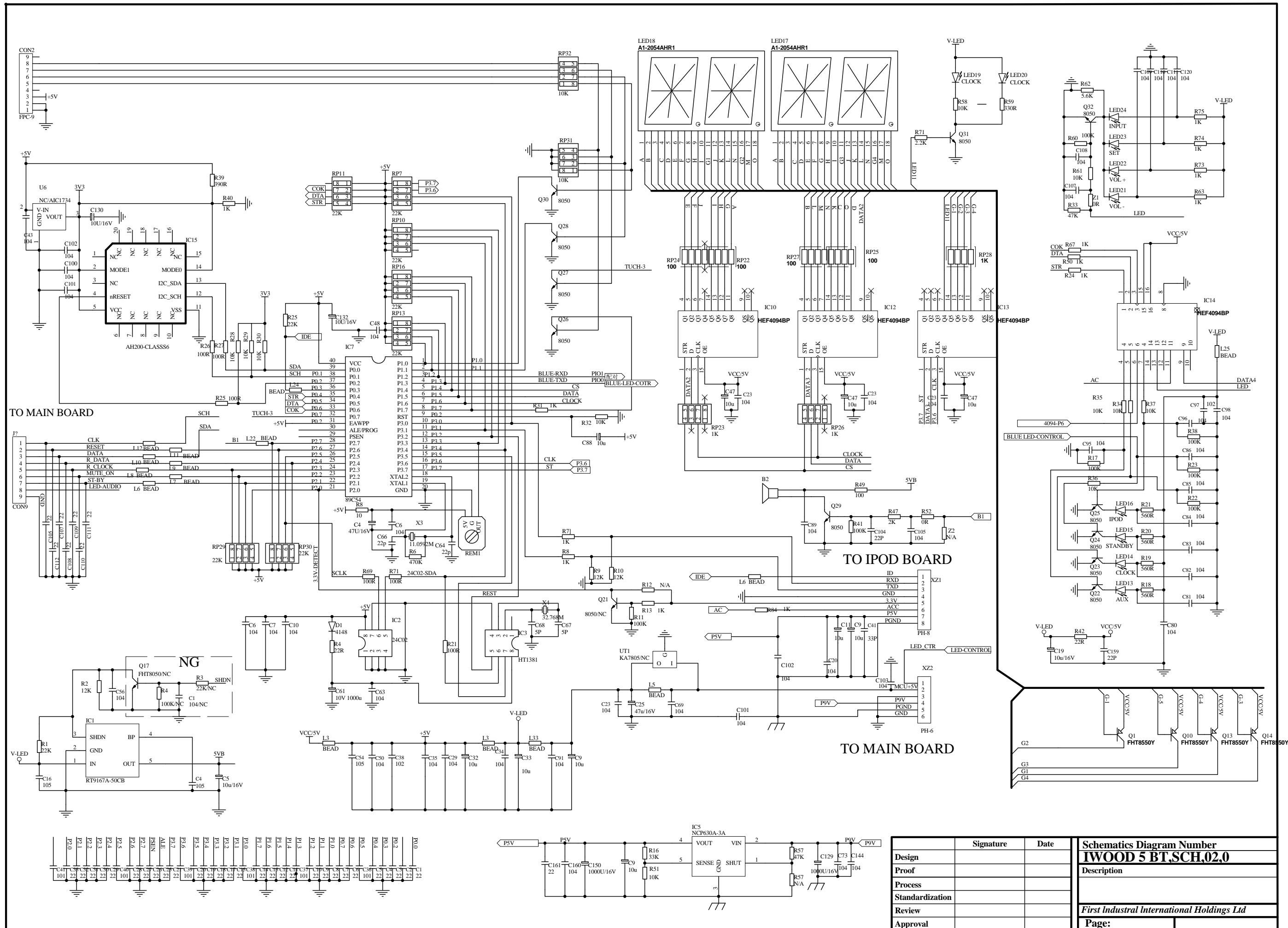


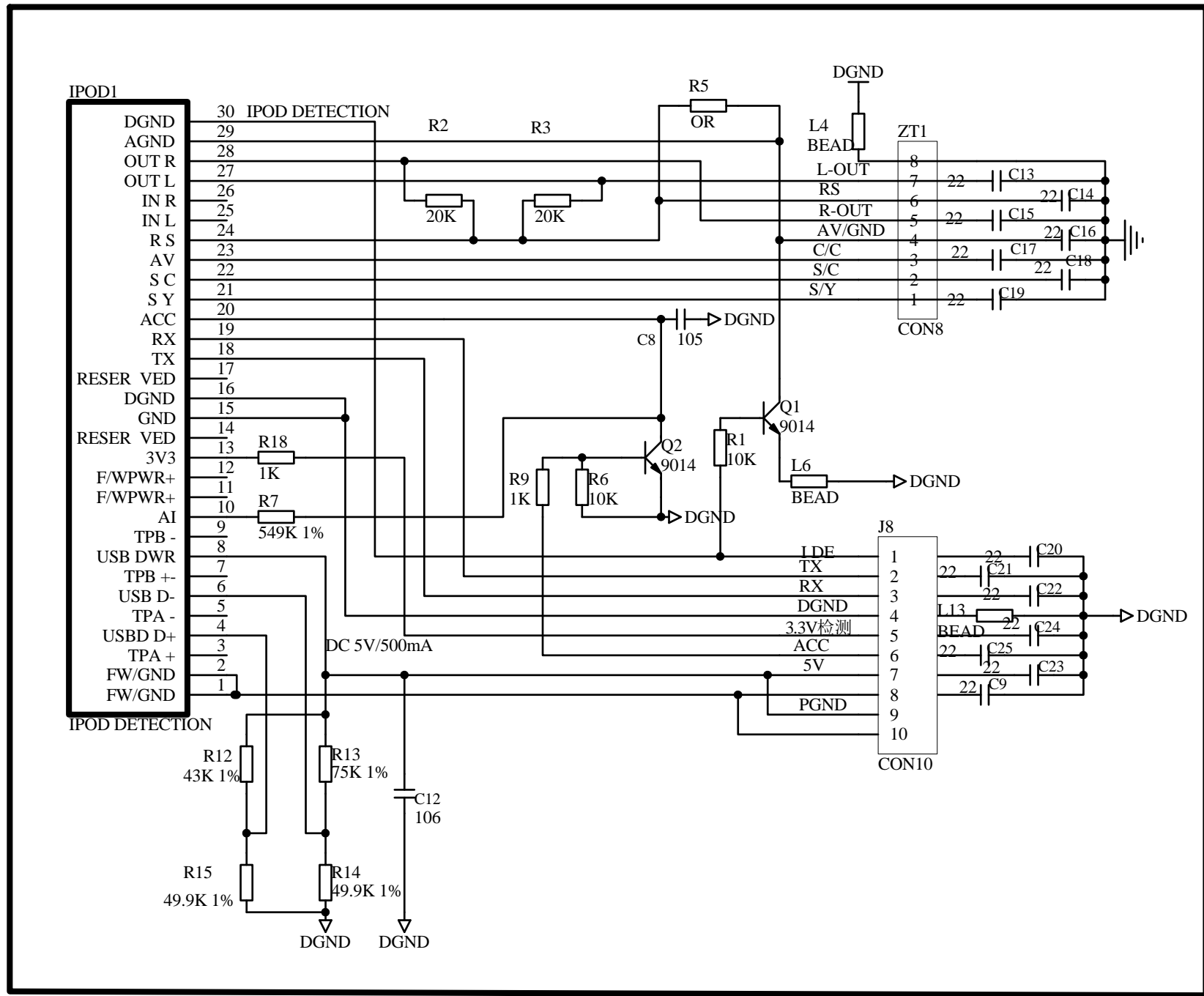
| | Signature | Date |
|-----------------|-----------|------|
| Design | | |
| Proof | | |
| Process | | |
| Standardization | | |
| Review | | |
| Approval | | |

| | |
|--|--|
| Schematics Diagram Number | |
| IWOOD 5 BT.SCH.01.0 | |
| Description | |
| | |
| First Industrial International Holdings Ltd | |
| Page: | |



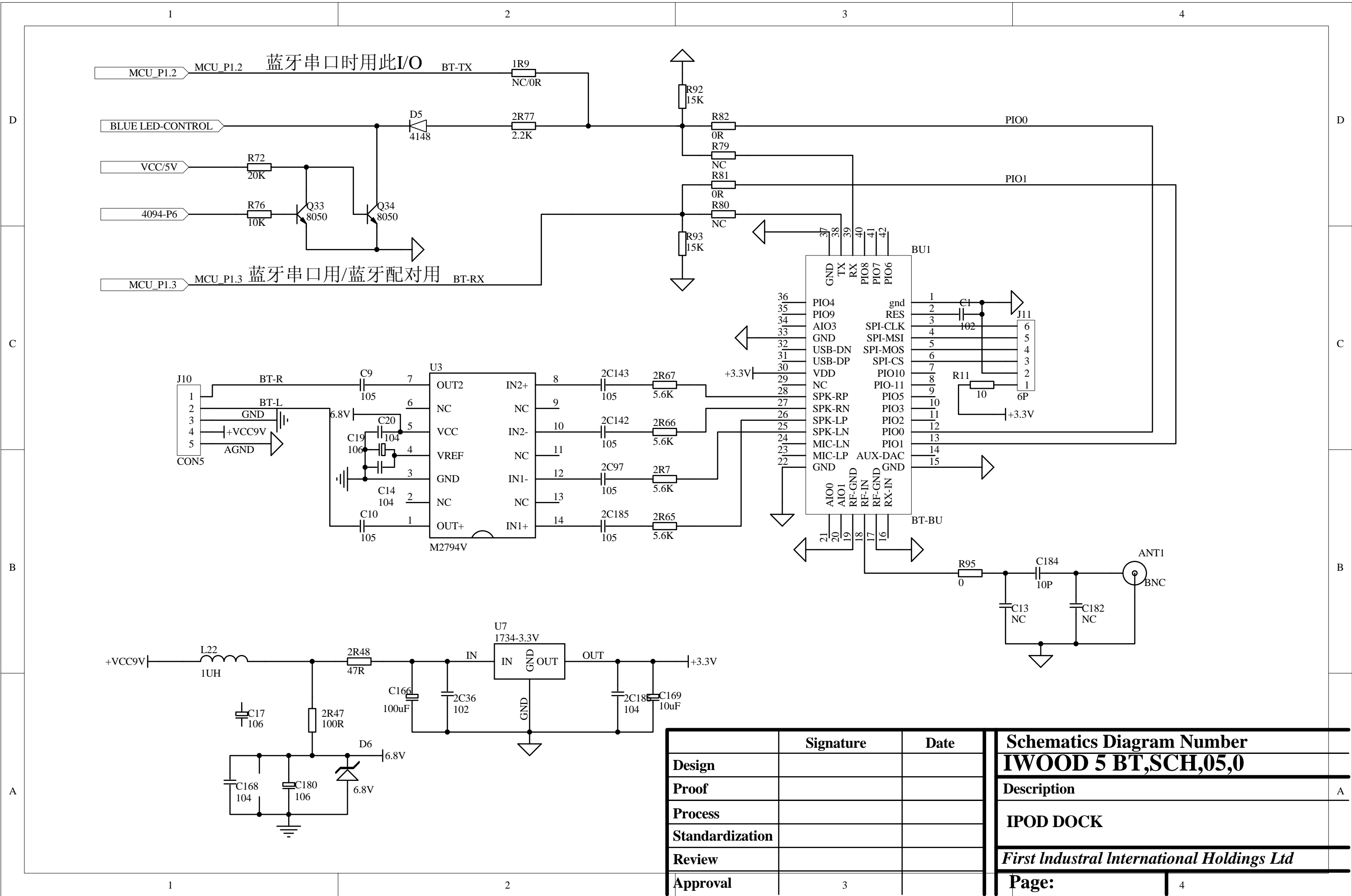
| | Signature | Date |
|-----------------|-----------|------|
| Design | | |
| Proof | | |
| Process | | |
| Standardization | | |
| Review | | |
| Approval | | |

| | |
|---|--|
| Schematics Diagram Number IWOOD 5 BT, SCH.02.0 | |
| Description | |
| First Industrial International Holdings Ltd | |
| Page: | |



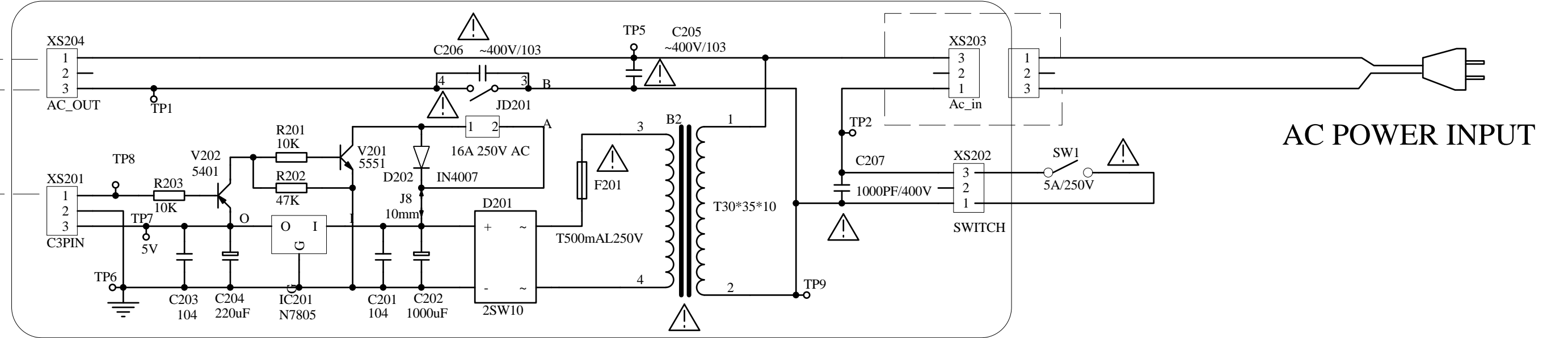
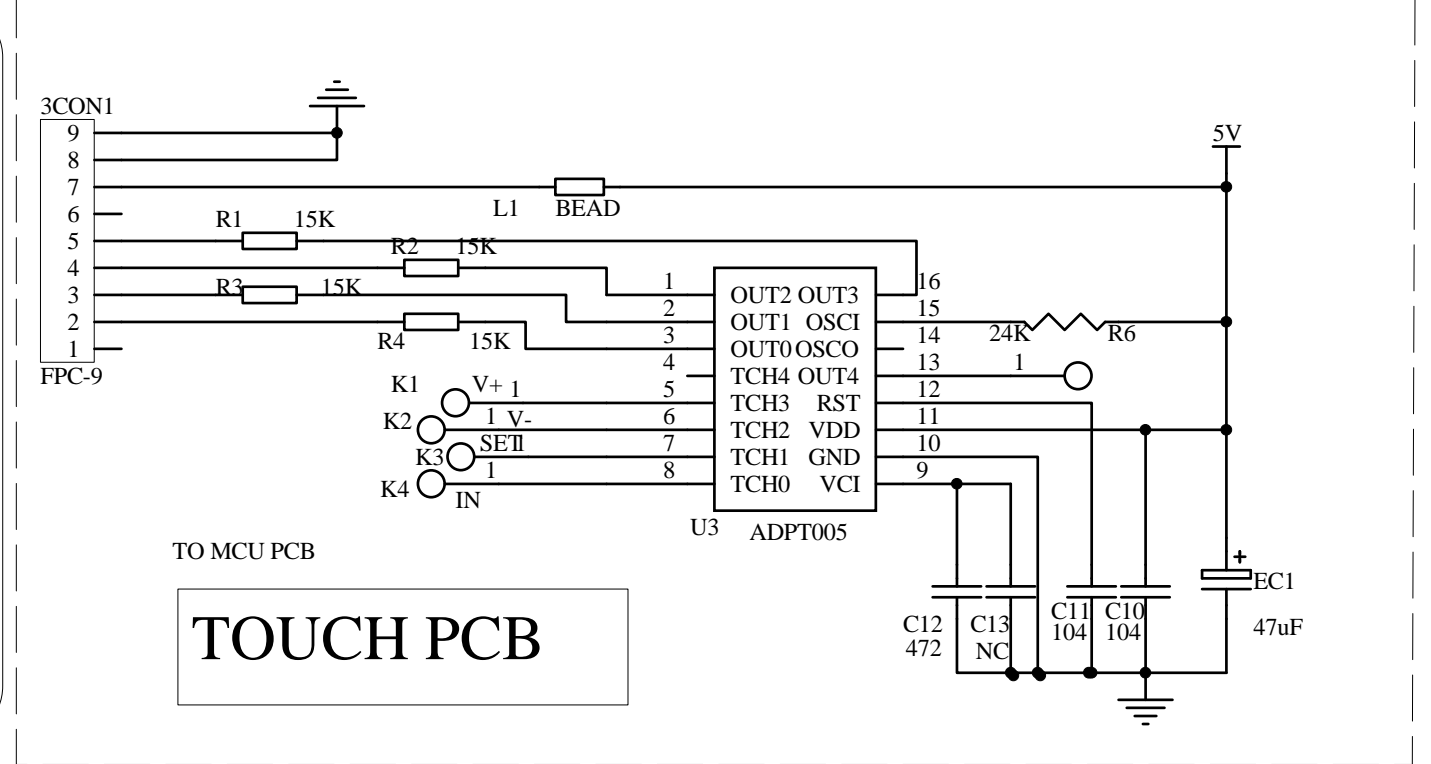
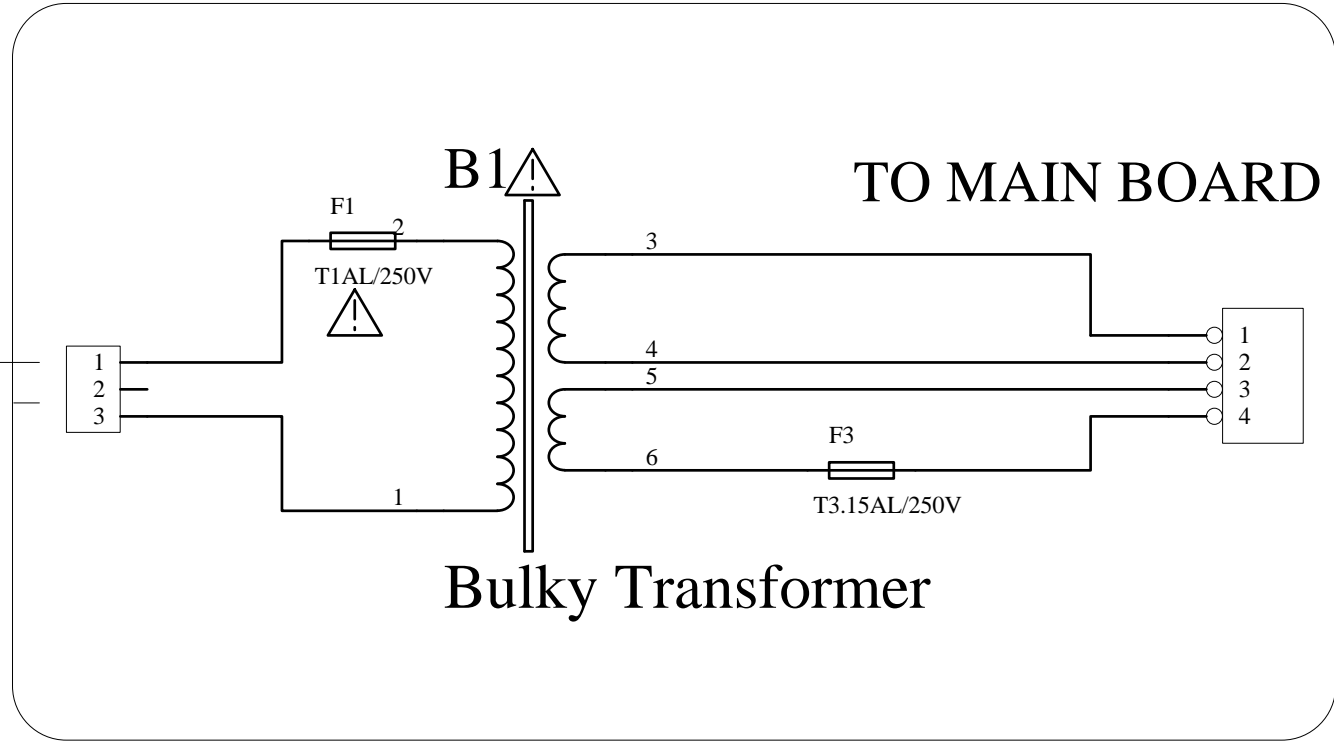
| | Signature | Date |
|-----------------|-----------|------|
| Design | | |
| Proof | | |
| Process | | |
| Standardization | | |
| Review | | |
| Approval | | |

| | |
|--|---|
| Schematics Diagram Number | |
| IWOOD 5 BT ,SCH,03,0 | |
| Description | |
| IPOD DOCK | |
| <i>First Industrial International Holdings Ltd</i> | |
| Page: | 4 |



| | Signature | Date |
|-----------------|-----------|------|
| Design | | |
| Proof | | |
| Process | | |
| Standardization | | |
| Review | | |
| Approval | | |

| | |
|--|---|
| Schematics Diagram Number | |
| IWOOD 5 BT,SCH,05,0 | |
| Description | |
| IPOD DOCK | |
| <i>First Industrial International Holdings Ltd</i> | |
| Page: | 4 |



STANDBY control

| | Signature | Date | Schematics Diagram Number |
|-----------------|-----------|------|--|
| Design | | | IWOOD 5 BT,SCH,06,0 |
| Proof | | | Description |
| Process | | | |
| Standardization | | | |
| Review | | | <i>First Industrial International Holdings Ltd</i> |
| Approval | | | Page: |