

PAR Clear Transceiver- Quick Reference Installation Guide

- Tools and Material Required.....page 1
- Design the Installation.....page 1
- Install the Transceiver.....page 2
- Register the Transceiver.....page 3
- Test The Transceiver and Finalize Install.....page 3-4
- Transceiver Specifications.....page 4

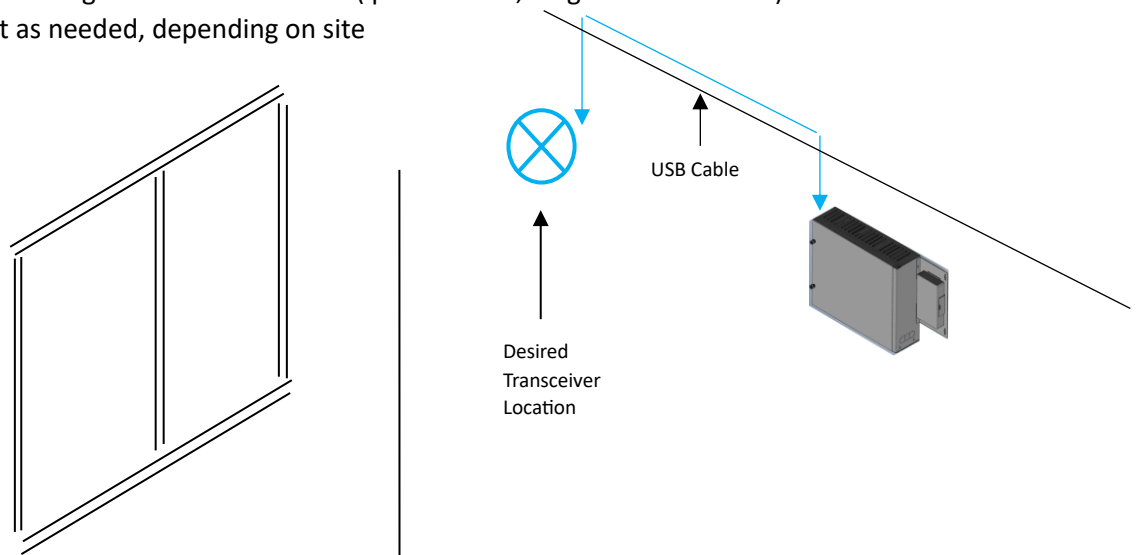
Tools and Materials Required:

- Assortment of sheet metal screws or wall anchors and screws as required by site
- Recommend basic tool kit- screwdrivers, hand drill, drill bits
- Conduit as needed

Design the Installation:

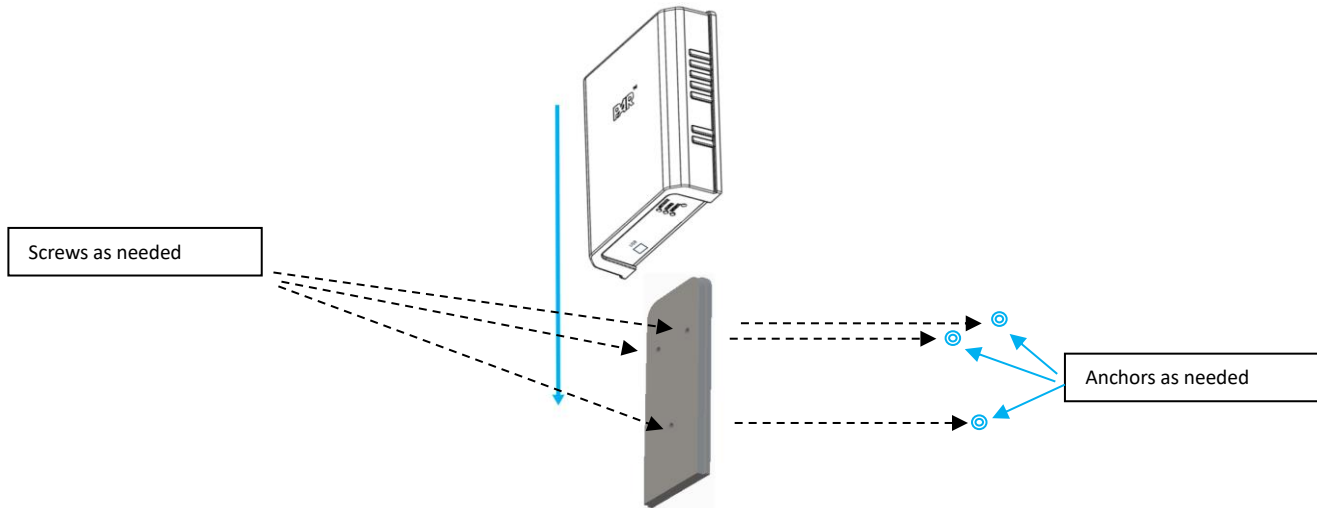
The Transceiver should be placed in a location that has the desired range and coverage for the site. Survey the site as needed and test the transmission coverage prior to finalizing the location.

1. Choose the desired location for the Transceiver making sure:
 - a. USB cable is in length to the base station (place holder, length of USB cable?)
 - b. Use conduit as needed, depending on site

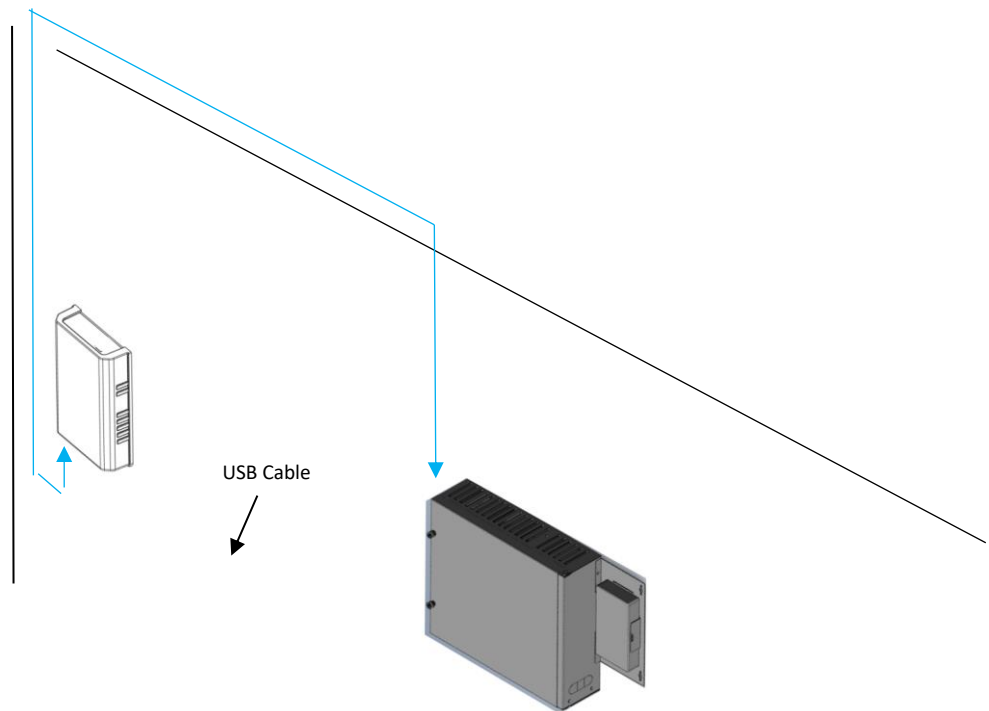


Install the Transceiver:

1. Mount the mounting plate of the Transceiver using anchors and screws as needed, do not tighten all the way yet
2. Slide on the Transceiver over the mounting plate



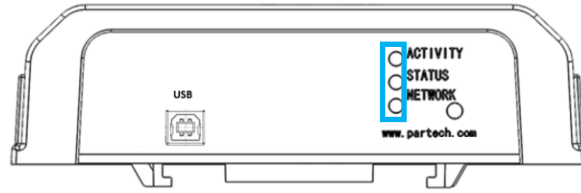
3. Plug in the USB cable to the transceiver and the other end of the USB cable to the basestation (make sure the basestation is powered off)



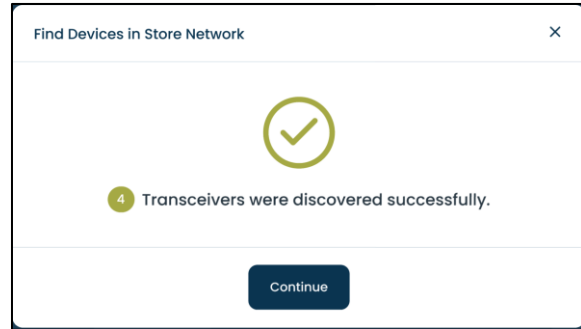
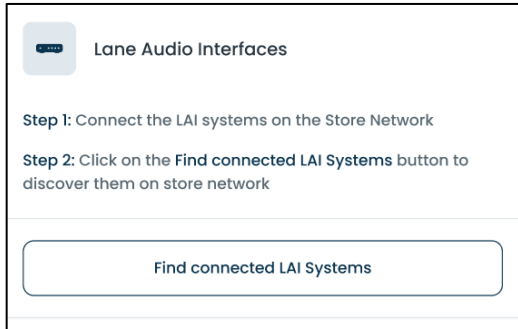
Register the Transceiver:

1. Proceed to power on the basestation
2. Observe the LED status of the Transceiver (place holder, XXX LED or sequence)



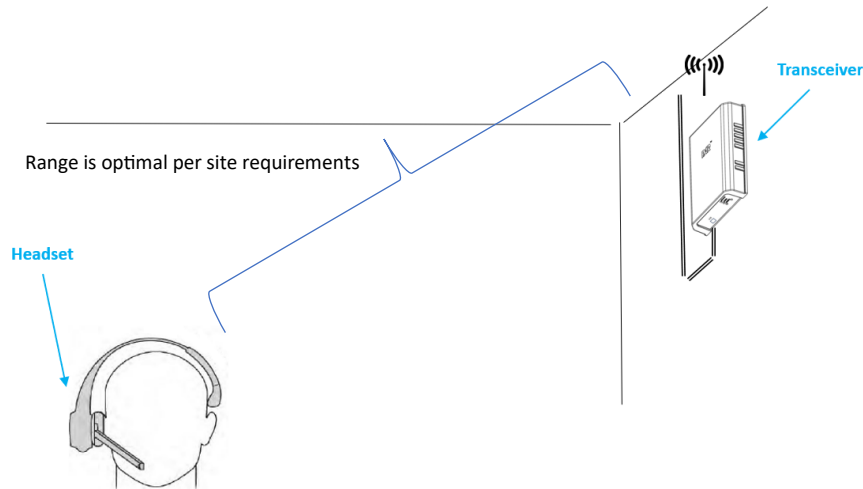


- Log into the webpage/portal with the provided link and credentials and click on 'Find connected Transceivers'. Once the Transceiver is connected, a message will pop up saying it was discovered.

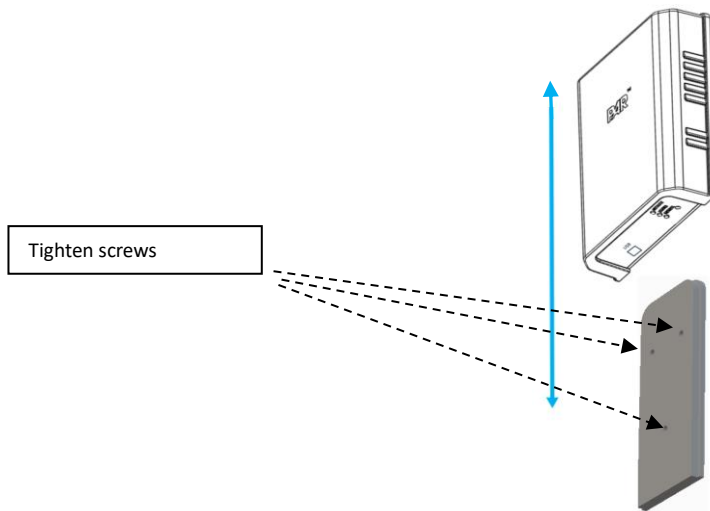


Test the Transceiver and Finalize Install:

- Use a registered headset and test the range of the system. (Use the other quick reference guides as needed for the Headset, LAi, and Basestation) *(ensure basestation, LAi, speaker, microphone is also installed)



- If the system audio and range tests are optimal, proceed to tighten down the screws on the Transceiver mounting plate by sliding the Transceiver out and sliding it back on once the screws are tightened. Otherwise repeat the steps above.



Transceiver Specifications

A. Physical

Parameter	Specification or Requirement
Dimensions (l x w x d)	6 5/8" L x 4 7/8" W x 1 3/8" D
Weight	0.3 kg

B. Electrical

Parameter	Specification or Requirement
Input Power	USB Type B, 5VDC
Radio Frequency	DECT
Maximum Output Power	DECT Per Region

C. Functional

Parameter	Specification or Requirement
Indicator	Red, Green and Blue LED
Operating Range	=< 2000 meters
Operating Temperature	0 to 60 C

FCC Compliance Statement

This equipment has been tested and found to comply with the limits for a Class A digital device, pursuant to part 15 of the FCC Rules. These limits are designed to provide reasonable protection against harmful interference when the equipment is operated in a commercial environment. This equipment generates, uses, and can radiate radio frequency energy and, if not installed and used in accordance with the instruction manual, may cause harmful interference to radio communications. Operation of this equipment in a residential area is likely to cause harmful interference in which case the user will be required to correct the interference at his own expense.

This device complies with Part 15 of the FCC Rules. Operation is subject to the following two conditions:

1. This device may not cause harmful interference, and
2. This device must accept any interference received, including interference that may cause undesired operation. Please note that changes or modifications not expressly approved by the party responsible for compliance could void the user's authority to operate the equipment.

Changes or modifications not expressly approved by the party responsible for compliance could void the user's authority to operate the equipment.

ISED non-interference disclaimer

This device contains licence-exempt transmitter(s)/receiver(s) that comply with Innovation, Science and Economic Development Canada's licence-exempt RSS(s). Operation is subject to the following two conditions:

- (1) This device may not cause interference.
- (2) This device must accept any interference, including interference that may cause undesired operation of the device.

This device complies with the Canadian ICES-003 Class A specifications. CAN ICES-003(B) / NMB-003 (A).

L'émetteur/récepteur exempt de licence contenu dans le présent appareil est conforme aux CNR d'Innovation, Sciences et Développement économique Canada applicables aux appareils radio exempt de licence. L'exploitation est autorisée aux deux conditions suivantes :

- (1) L'appareil ne doit pas produire de brouillage;
- (2) L'appareil doit accepter tout brouillage radioélectrique subi, même si le brouillage est susceptible d'en compromettre le fonctionnement.

Cet appareil numérique de la classe A est conforme à la norme NMB-003 du Canada. CAN ICES-003(B) / NMB-003 (A).

ISED/FCC RF Exposure statement

This equipment complies with FCC and ISED RSS-102 radiation exposure limits set forth for an uncontrolled environment. This transmitter must not be co-located or operating in conjunction with any other antenna or transmitter. In order to avoid the possibility of exceeding the FCC and ISED RSS-102 radio frequency exposure limits, this equipment should be installed and operated with minimum distance 20 cm (7.9 inches) between the antenna and your body during normal operation. Users must follow the specific operating instructions for satisfying RF exposure compliance.

Cet équipement est conforme aux limites d'exposition aux rayonnements FCC et ISED CNR-102 établies pour un environnement non contrôlé. Cet émetteur ne doit pas être installé ou utilisé en conjonction avec une autre antenne ou un autre émetteur. Afin d'éviter la possibilité de dépasser les limites d'exposition aux radiofréquences FCC et ISED, cet équipement doit être installé et utilisé avec une distance minimale de 20 cm (7.9 pouces) entre l'antenne et votre corps pendant le fonctionnement normal. Les utilisateurs doivent suivre les instructions spécifiques d'utilisation pour respecter la conformité à l'exposition aux RF.

Disclaimer: This material has been created in order to accommodate a wide range of restaurant operations and your specific business practices and system configuration may differ slightly from what is represented in this material. While ParTech, Inc. ("PAR") takes great care to ensure the accuracy of these materials, all material is provided "as is" without warranty of any kind, either express or implied, including, but not limited to, warranties of merchantability or fitness for a particular purpose. PAR does not make any warranties or representations that the materials will meet your requirements or that the operations of the hardware will be uninterrupted or error free.

Trademark Notices: The PAR logo is a trademark of PAR Technology Corporation, the parent company of ParTech, Inc. or its affiliates. All other product names used throughout this material are trademarks of the respective companies. No such use of any trademark is intended to convey endorsement or other affiliation with these companies.

Reproduction: Copyright © 2023 ParTech, Inc. All rights reserved. This publication, or any part thereof, may not be reproduced or transmitted in any form or by any means, electronic or mechanical, including photocopying, recording, storage in an information retrieval system, or otherwise, without the prior written permission of ParTech, Inc., PAR Technology Park, 8383 Seneca Turnpike, New Hartford, NY 13413-4991 USA.

Date	Version	Updated By:	Notes
10/31/23	1.0	Steve Ong	Draft
10/31/23	1.1	Steve Ong	Corrected table of contents
11/2/23	1.2	Steve Ong	Added weight 0.3kg, usb type b 5vdc, op range 2000m or less, op temp 0-60 c, per Rafael Martinez
11/2/23	1.3	Patrick Murphy	Added FCC statement to page 5
11/8/23	1.4	Patrick Murphy	Updated font to Manrope, added disclaimer proposed by A. Sherritt to bottom of page 5
12/20/23	1.5	Patrick Murphy	Added to FCC/ISED statements and added SAR compliance note on page 5 per Rafael's request