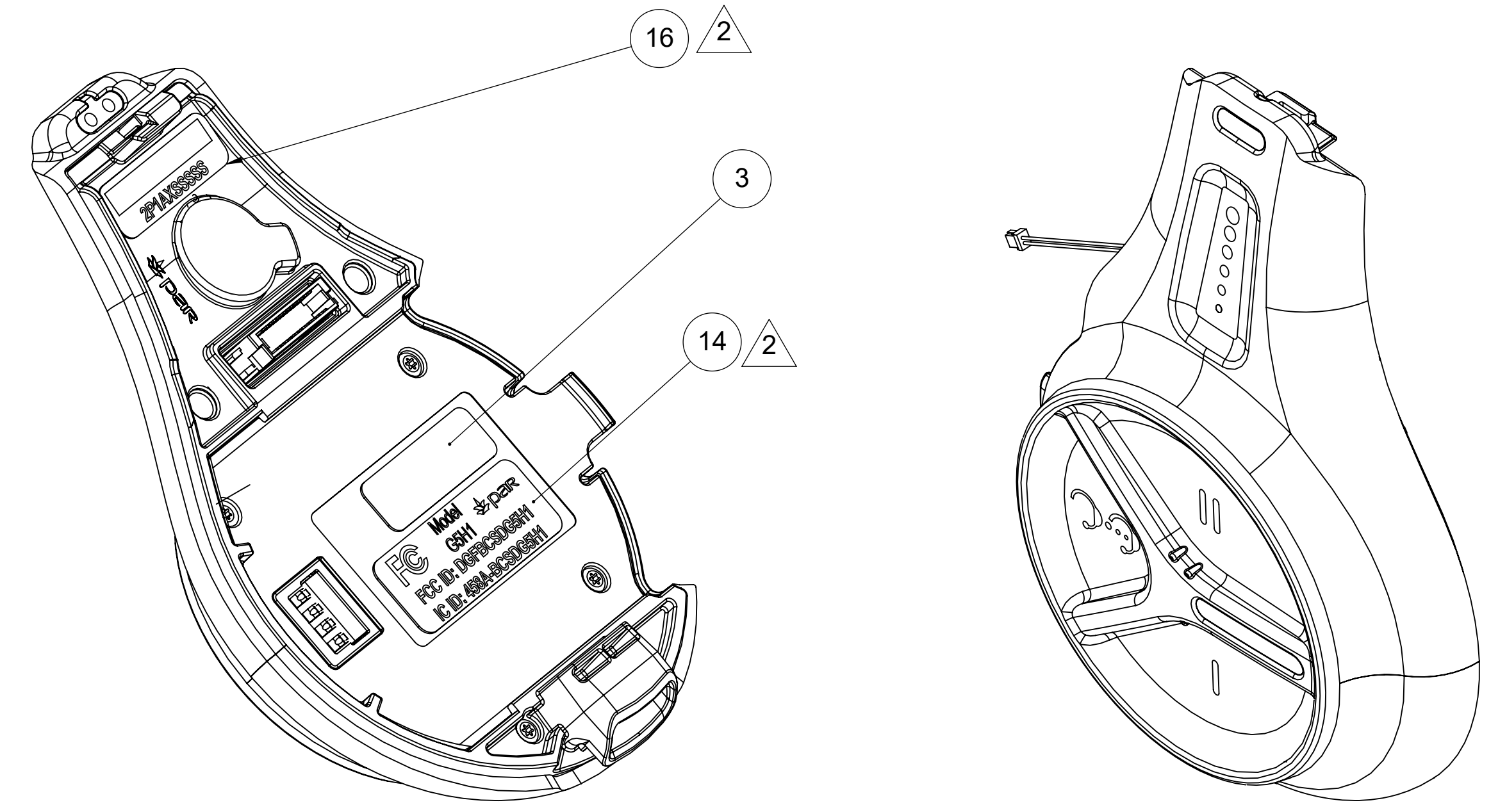
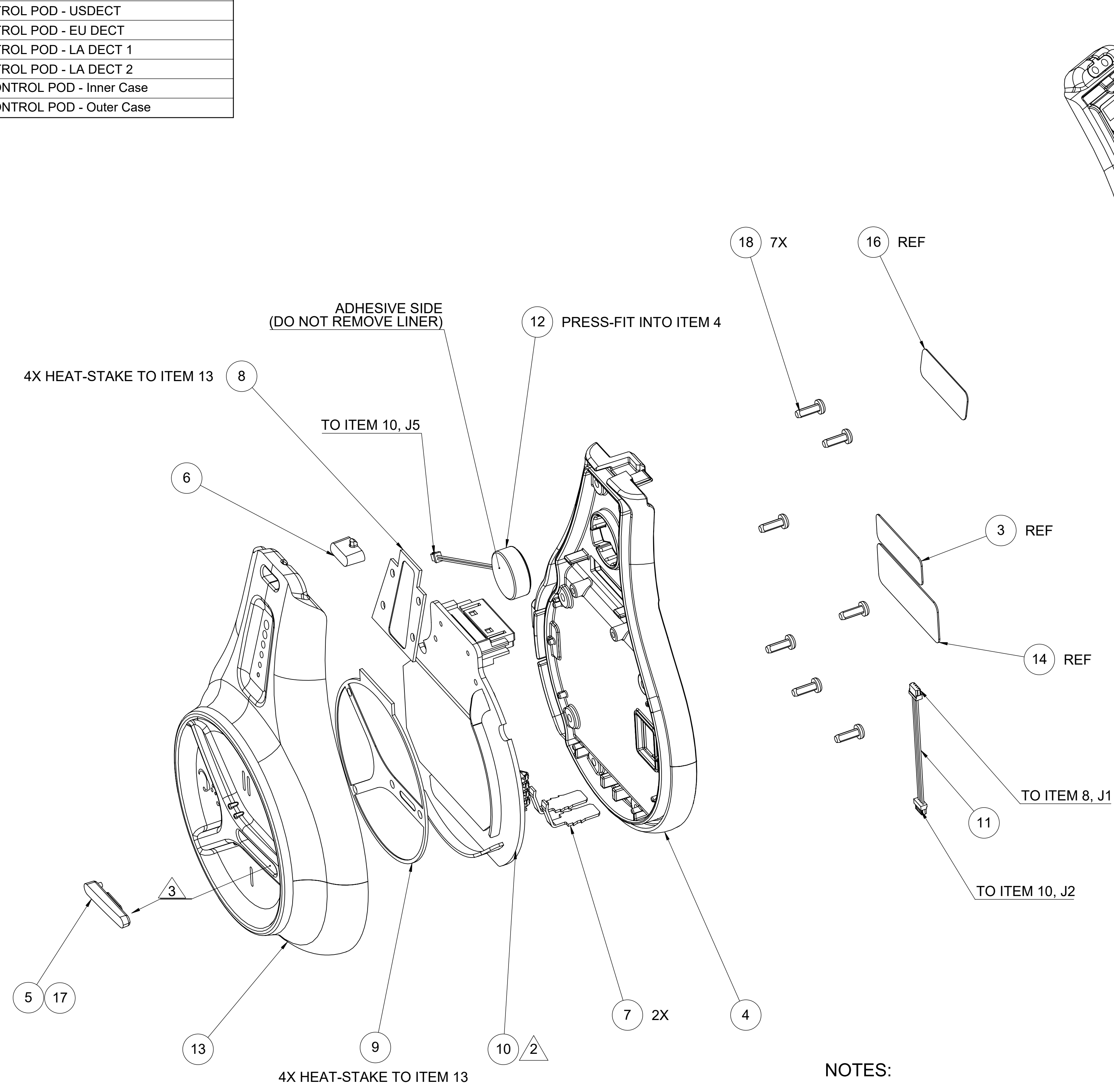


TABULATED BILL OF MATERIALS	
PART NUMBER	DESCRIPTION
78-8117-4631-8	ASSY, G5 CONTROL POD - FCC
78-8117-4702-7	ASSY, G5 CONTROL POD - CE
78-8117-4717-5	ASSY, G5 CONTROL POD - JDECT
78-8117-4718-3	ASSY, G5 CONTROL POD - USDECT
78-8117-4719-1	ASSY, G5 CONTROL POD - EU DECT
78-8117-4720-9	ASSY, G5 CONTROL POD - LA DECT 1
78-8117-4739-9	ASSY, G5 CONTROL POD - LA DECT 2
78-8117-4865-2	Sub Assy, G5 CONTROL POD - Inner Case
78-8117-4866-0	Sub Assy, G5 CONTROL POD - Outer Case



- NOTES:**
- ITEM 14 NOT SHOWN ON ASSEMBLY
  - ITEM MAY VARY, SEE DETACHED BOM.
  - ADHERE ITEM 5 TO ITEM 13 USING SMALL AMOUNT OF ITEM 17 TO THE RIGHT SIDE OF OPENING.

78-8117-4631-8 DESIGN REFERENCE		SEE ENOVIA NEXT ASSEMBLY	
REV	ECO	ISSUE DATE AND DESCRIPTION	DRFT CHKD
0061405	05/01/2015	REDRAWN AS TABULATED DWG.	CEN SE
DRW	C. NORDLING	DATE	05/01/2015
CHKD	S. ELLIOTT	DATE	05/01/2013
APPRV	J. GARDNER	DATE	05/01/2013
DIVISION		DIVISION CODE	
DO NOT SCALE DRAWING		SCALE	2:1
FIRST ANGLE PROJECTION		TOLERANCES EXCEPT AS NOTED	INCHES 0 ± NA .00 ± NA .000 ± NA .0000 ± NA
INTERPRET PER ASME Y14.5 - 2009		MILLIMETERS	0 ± NA .00 ± NA .000 ± NA .0000 ± NA
Each homogenous material in this part meets the substance restrictions of EU RoHS Directive 2011/65/EU and its Annex II.		ANGLES ±	0.5°
TITLE		G5 CONTROL POD ASSEMBLY - FCC	
CAGE NUMBER	SIZE	DRAWING NO.	REV.
D		78-8117-4743-1	E
MODEL		DET LISTS	YES <input type="checkbox"/> NO <input checked="" type="checkbox"/> SHT 1 OF 1

REV	DATE	DESCRIPTION	DRFT	CHKD
E	105774	09/16/2020 - UPDATE TABULATED BILL OF MATERIALS ON DRAWING.	EBL	EBL
D	0083017	02/18/2019 - DELETE ITEM 1 (26-1021-3367-0), ITEM 18 QTY WAS 1.0.	CEN	SJE
C	0080091	07/27/2018 - ITEM 1 QTY WAS 7.0, ADD ITEM 18.	CEN	SJE
B	0065008	03/03/2016 - ADD ITEM 17 AND NOTE 3.	CEN	GWV
A	0061405	05/01/2015, REDRAWN AS TABULATED DWG.	CEN	SE

78-8117-4743-1  
DRAWING NUMBER

A