



**CR8005G**  
**Cruiser Premier**  
**Instruction Manual**

---



Questions, problems, missing parts?  
Before returning to the store, call Customer Service  
8 a.m. – 6 p.m., EST, Monday – Friday  
1-888-CROSLEY  
[www.crosleyradio.com](http://www.crosleyradio.com)

## **Safety Instructions**

---

Read and understand this entire manual before using this product. Keep these instructions for future reference.

1. Do not use this product near water.
2. This product should be operated only by the type of power source indicated on the marking label or in this instruction manual.
3. Do not defeat the safety purpose of the polarized plug. A polarized plug has two blades with one blade wider than the other. This plug will fit into the power outlet only one way. If you are unable to insert the plug fully into the outlet try reversing the plug. If the plug should still fail to fit, contact your electrician.
4. Protect the power cord from being walked on or pinched particularly at plugs, convenience receptacles, and the point where they exit from the product.
5. Do not overload wall outlets, extension cords, or integral convenience receptacles as this can result in a risk of fire or electric shock.
6. Never push objects of any kind into this product through openings as they may touch dangerous voltage points or short-out parts that could result in a fire or electric shock. Never spill liquid of any kind on the product.
7. Do not attempt to service this product yourself as opening or removing covers may expose you to dangerous voltage or other hazards. Refer all servicing to qualified service personnel.
8. Changes or modifications to this unit not expressly approved by the party responsible for compliance could void the user's authority to operate the equipment.
9. Do not use attachments not recommended by the product manufacturer as they may cause hazards.
10. A product and cart combination should be moved with care. Quick stops, excessive force, and uneven surfaces may cause the product and cart combination to overturn.
11. Slots and openings in the cabinet are provided for ventilation and to ensure reliable operation of the product and to protect it from overheating. Do not block or cover these openings.
12. Unplug the product during lightning storm or when unused for long periods of time.

## Items in this package

---

Before throwing away any packaging materials, please check thoroughly and make sure you find the following items that come along with this package:

- Turntable
- 45 RPM adapter
- Power adaptor

Please contact Crosley customer service if there is any accessory missing from the package. **Retain the original packaging materials for exchange or return purposes.**

## Specifications

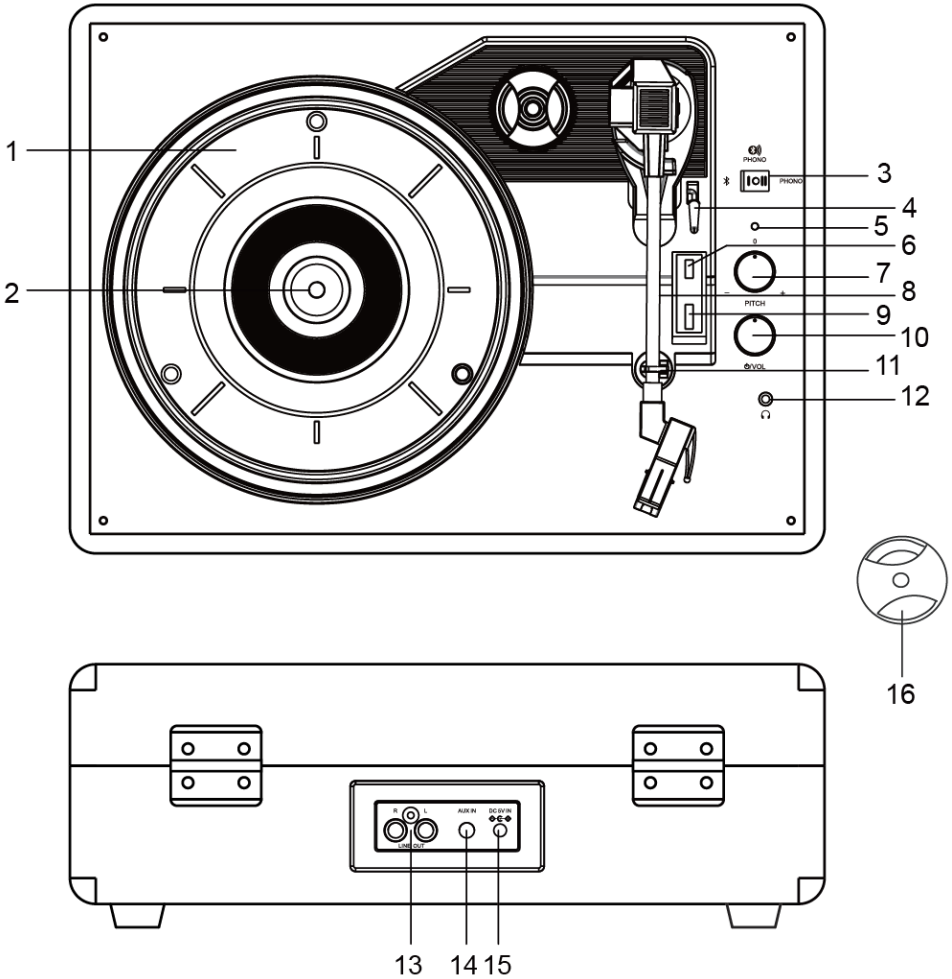
---

Power	AC power adaptor, DC output 5V 1A
Power consumption	13W
Speaker	4Ω, 3W x 2
Turntable speed	33 <sup>1</sup> / <sub>3</sub> , 45, 78 RPM
Replacement needle	Crosley NP-16

Note:

- *Design and specifications are subject to change without notice.*
- **To help save power consumption, some models will comply with ERP energy saving standard. When there is no audio input for 20 minutes, their powers will automatically cut-off. To turn power back on and resume playing, you will need to turn off the power and turn it on again.**

## Product Description



- 1. Turntable Platter
- 2. Turntable Spindle
- 3. Function Switch
- 4. Tonearm Lever
- 5. Function Indicator
- 6. Auto-stop Switch
- 7. Pitch Control
- 8. Tonearm

- 9. Speed Switch
- 10. On/Off Volume Knob
- 11. Hold Down Clip
- 12. Headphone Jack
- 13. RCA Jacks
- 14. Aux In Jack
- 15. Power Jack
- 16. 45 RPM Adapter

## Initial Setup

---

### Essential Setup

1. Place the unit on a flat and level surface. The selected location should be stable and free from vibration.
2. Remove the tie-wrap that is holding the tonearm.
3. Connect AC adaptor to the **Power Jack** of the unit.

*Note: Do not plug the AC power adaptor to power outlet before all the assembly is completed. Before turning the power on, make sure again all the connection settings are correct. Always turn off the power when connecting or disconnecting.*

## Stereo System Connection

---

### RCA Jacks

- The RCA Jacks output analog line-level signals and could be connected directly with a pair of active/powered speakers or the appropriate input of your stereo system.
- The Red plug connects with the Right channel and the White plug connects with the Left channel.

*Note: The RCA Jacks are not designed to be connected directly to the passive/unpowered speakers. If connected to the passive speakers, the volume level will be very low.*

## Aux Input Connection

---

You can connect an audio device to this unit and play your music through its speakers. To do this, connect the 3.5mm auxiliary cable between your audio device and the **Aux In Jack** of this unit and start playing the music.

*Note:*

*The aux in connection will automatically override the turntable and Bluetooth functions. To resume using the turntable or Bluetooth functions, unplug the auxiliary cable from the aux in jack.*

*The Function Indicator will be purple.*

## Turntable Operation

---

1. Rotate the **On/Off Volume Knob** to turn on the power.
2. Set the Function Switch to PHONO position.  
*Note: The Function Indicator will be red*
3. Set the **Speed Switch** accordingly.
4. Place the record on the turntable. Use the **45 RPM Adapter** if necessary.
5. Remove the stylus protector from the stylus assembly.  
*Note: To avoid stylus damage, make certain the included stylus guard is in place whenever the turntable is being moved or cleaned.*
6. Release the tonearm **Hold Down Clip**.  
*Note: when the turntable is not in use, remember to lock back hold down clip.*
7. Use the **Tonearm Lever** to lift up the tonearm.
8. Gently move the tonearm over the record where play is desired to begin. Set the **Tonearm Lever** back to the down position, the tonearm will descend slowly onto the record and begin to playback.
9. When the record is finished playing, use the **Tonearm Lever** again to raise the tonearm and then return it to the Tonearm Rest. Release the lever to let the tonearm sit back at its rest. To suspend the playback, repeat the same steps.
10. Lock the **Tonearm Clip** to secure the tonearm.

## Platter Auto-stop

---

If the **Auto-stop Switch** is set to ON position, the platter will stop spinning automatically when the record plays to the end. In some rare occasion, if the turntable stops playing before the end of the record, set the switch to OFF position the turntable should overcome this issue.

## Pitch Control

---

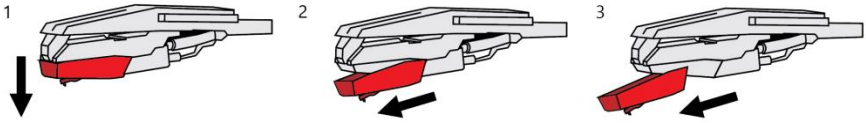
The turntable speed can be increased or decreased by approximately 10% by rotating the Pitch Control Knob. To increase the speed, turn the Pitch Control Knob clockwise. To decrease the speed, turn the knob counter-clockwise.

## Needle Replacement

---

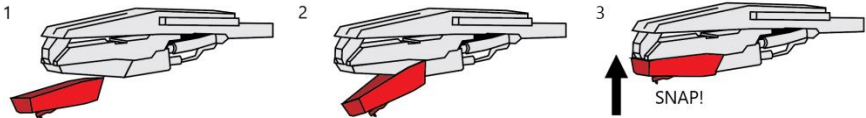
### Removing Needle

1. Gently pull down the front edge of the needle.
2. Pull needle forward.
3. Pull out and remove.



### Installing Needle

1. Position the needle with its tip facing down.
2. Line up the back of the needle with the cartridge.
3. Insert the needle with its front end at a downward angle and gently lift the front of the needle upward until it snaps into place.



## Bluetooth Operation

---

1. Turn the **Function Switch** to Bluetooth mode  $\text{⌘}$   
*Note: The function indicator will be flashing blue.*
2. Turn on the Bluetooth feature of your audio device, search for “CROSLEY CR8005G” and pair.
3. Once your device is successfully paired with the unit, you will hear a short confirmation sound from the unit, and the function indicator will be blue.
4. Play and stream music from your device to the unit.

*Note: Bluetooth version – 5.0*

## Bluetooth Output Operation

---

This turntable features Bluetooth output which is a device that transmits audio from this turntable to another Bluetooth device such as wireless Bluetooth headphones, Bluetooth speakers, or other Bluetooth receiving devices.

1. Place the audio device that supports Bluetooth technology as close to your turntable as possible.
2. Set the turntable's function switch to the middle position for Bluetooth output.  
*Note: The function indicator will slowly flash blue.*
3. Set the device that you would like to connect to pairing mode.
4. Your turntable will connect automatically to your audio device once they are both in pairing mode.
5. When the pairing is complete, the function indicator will be solid blue.

*Note: If pairing is unsuccessful, make sure your audio device is not paired/connected to another Bluetooth device.*

## Turntable Maintenance

---

1. Do not touch the stylus tip with your fingers. Avoid bumping the stylus on the turntable mat or a record's edge.
2. Clean the stylus frequently with a soft brush with a back-to-front motion only.
3. Clean the records to get rid of dust or grease with a record cleaning brush and record cleaning solution.
4. Clean the turntable lid and turntable cabinet with a slightly dampened microfiber cloth.

*Note: Do not use cleanser other than that contains alcohol, benzene or any other harsh chemicals, which might damage the paint and finish of the turntable.*

**\*\* Crosley offers a product line of different cleaning accessories. Please ask your retailer or check out our website [www.crosleyradio.com](http://www.crosleyradio.com) for more cleaning product information.**



## Troubleshooting

---

### **There is no power**

- Power adaptor is not connected correctly.
- No power at the power outlet.
- To help save power consumption, some models will comply with ERP energy saving standard. When there is no audio input for 20 minutes, their powers will automatically cut-off. To turn power back on and resume playing, turn off the power and turn it on again.

### **Power is on, but the platter does not turn**

- Turntable's drive belt has slipped off.
- An aux in cable is plugged into the aux in jack, unplug it.

### **Turntable is spinning, but there is no sound, or sound not loud enough**

- Stylus protector is still on.
- Tone arm is lifted up by the lever.
- Headphone is plugged in.

## **FCC Statements**

---

This device complies with part 15 of the FCC Rules. Operation is subject to the following two conditions:

- (1) This device may not cause harmful interference, and
- (2) this device must accept any interference received, including interference that may cause undesired operation.

Note: This equipment has been tested and found to comply with the limits for a Class B digital device, pursuant to part 15 of the FCC Rules. These limits are designed to provide reasonable protection against harmful interference in a residential installation. This equipment generates, uses and can radiate radio frequency energy and, if not installed and used in accordance with the instructions, may cause harmful interference to radio communications. However, there is no guarantee that interference will not occur in a particular installation. If this equipment does cause harmful interference to radio or television reception, which can be determined by turning the equipment off and on, the user is encouraged to try to correct the interference by one or more of the following measures:

- Reorient or relocate the receiving antenna.
- Increase the separation between the equipment and receiver.
- Connect the equipment into an outlet on a circuit different from that to which the receiver is connected.
- Consult the dealer or an experienced radio/TV technician for help.

Note: The Grantee is not responsible for any changes or modifications not expressly approved by the party responsible for compliance. such modifications could void the user's authority to operate the equipment.

The device has been evaluated to meet general RF exposure requirement.

To maintain compliance with FCC's RF exposure guidelines, the distance must be at least 20 cm between the radiator and your body, and fully supported by the operating and installation configurations of the transmitter and its antenna(s).

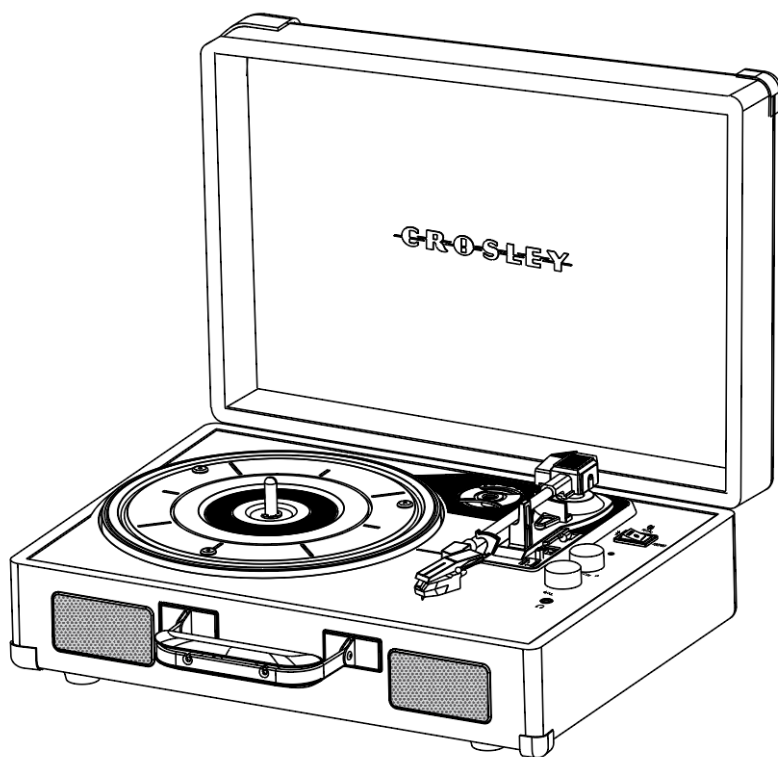
### **SIMPLIFIED EU DECLARATION OF CONFORMITY**

Hereby, Modern Marketing Concepts Inc. dba Crosley Brands, declares that the radio equipment type is in compliance with Directive 2014/53/EU. The full text of the EU declaration of conformity is available at the following internet address:  
<http://crosleybrands.com/euDoC>



**CR8005G**  
**Cruiser Premier**  
**Manual de instrucciones**

---



¿Tiene preguntas, ha tenido problemas o hay piezas faltantes?  
Antes de devolver el producto a la tienda, comuníquese con nuestro Servicio al Cliente  
de 8 a. m. a 6 p. m., hora del este, de lunes a viernes  
1-888-CROSLEY  
[www.crosleyradio.com](http://www.crosleyradio.com)

## Instrucciones de seguridad

---

Lea y comprenda este manual en su totalidad antes de usar este producto. Conserve estas instrucciones para consultarlas en el futuro.

1. No use este producto cerca del agua.
2. Este producto debe ser utilizado solo con el tipo de fuente de alimentación indicado en la etiqueta o en este manual de instrucciones.
3. No subestime el propósito de seguridad del enchufe polarizado. Un enchufe polarizado posee dos hojas; una de ellas es más ancha que la otra. Este enchufe encajará en el tomacorriente en un solo sentido. Si no logra insertar completamente el enchufe en el tomacorriente, pruebe invirtiendo el enchufe. Si aún así el enchufe no encaja, comuníquese con su electricista.
4. Proteja el cable de alimentación de ser pisado o pinzado, en especial en los enchufes, los tomacorrientes y en el punto donde el cable sale del producto.
5. No sobrecargue los tomacorrientes de pared, cables de alargue, o receptáculos integrales, ya que puede generar un riesgo de incendio o descarga eléctrica.
6. No introduzca objetos de ningún tipo en el producto a través de las ranuras, ya que pueden hacer contacto con puntos de alto voltaje o provocar un cortocircuito que ocasione fuego o una descarga eléctrica. No derrame líquidos de ningún tipo sobre el producto.
7. No intente realizar tareas de mantenimiento por su cuenta, ya que abrir o remover la cubierta puede exponerlo a un voltaje peligroso y a otros riesgos. Deje toda tarea de mantenimiento en manos de un técnico de servicio calificado.
8. Los cambios o las modificaciones que no tengan la aprobación expresa de la parte responsable del cumplimiento pueden anular el permiso del usuario para utilizar el equipo.
9. No utilice accesorios que no son recomendados por los fabricantes del producto porque pueden ser peligrosos.
10. Cualquier combinación de carro y producto debe moverse con cuidado. Las paradas súbitas, el uso de fuerza excesiva y las superficies irregulares pueden causar que el producto y el carro se vuelquen.
11. Las ranuras de ventilación y las aberturas del gabinete son provistas para la ventilación y para asegurar el correcto funcionamiento del producto y evitar el recalentamiento. No bloquee ni cubra estas aberturas.
12. Desconecte el producto durante las tormentas eléctricas o cuando no se utilice durante períodos extendidos.

## Artículos en este empaque

---

Antes de deshacerse de cualquier material del empaque, revíselo con atención y asegúrese de encontrar los siguientes artículos que se incluyen en este paquete:

- Tocabiscos
- Adaptador de 45 rpm
- Transformador

Comuníquese con el Servicio al Cliente de Crosley en caso de que faltara algún accesorio en el empaque. **Conserve el material de embalaje original para realizar cambios o devoluciones.**

## Especificaciones

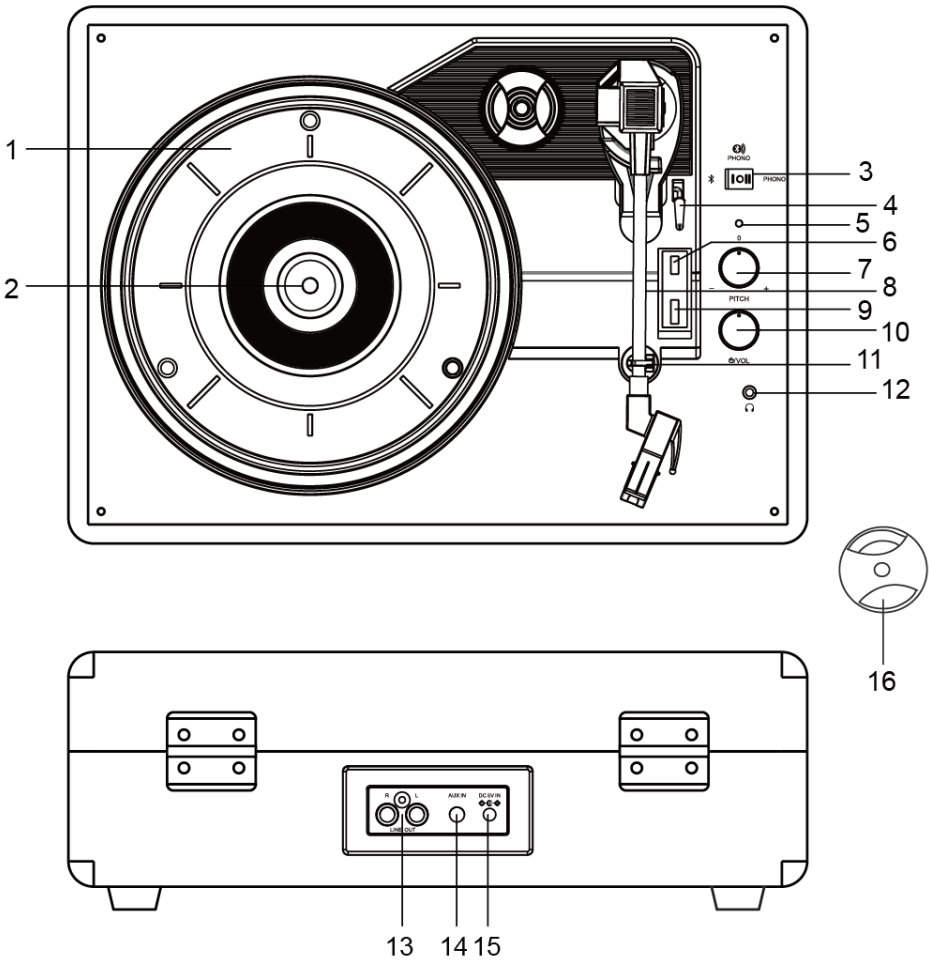
---

Fuente de energía	Transformador de CA, salida CC de 5 V 1 A
Consumo de energía	13 W
Potencia del altavoz	4Ω, 3W x 2
Altavoz	33 <sup>1</sup> / <sub>3</sub> , 45, 78 RPM
Aguja de repuesto	Crosley NP-16

Nota:

- *El diseño y las especificaciones están sujetos a cambios sin previo aviso.*
- **Con el fin de ahorrar en el consumo de energía, algunos modelos cumplirán con el estándar de ahorro de energía ERP (productos relacionados con la energía). En el caso de que no se produzca la entrada de audio durante 20 minutos, estos equipos se desactivarán automáticamente. Para volver a encenderlos y reanudar la reproducción, deberá apagar la unidad primero y luego volver a encenderla.**

## Descripción del producto



- 1. Bandeja del tocadiscos
- 2. Eje del tocadiscos
- 3. Interruptor de funciones
- 4. Palanca del brazo
- 5. Indicador de función
- 6. Interruptor de detención automática
- 7. Control de tono
- 8. Brazo del tocadiscos

- 9. Interruptor de velocidad
- 10. Perilla de volumen
- Encendido/Apagado
- 11. Broche de sujeción
- 12. Conector de auriculares
- 13. Conectores RCA
- 14. Conector de entrada auxiliar
- 15. Conector de alimentación
- 16. Adaptador de 45 rpm

## Instalación inicial

---

### Instalación indispensable

1. Coloque la unidad en una superficie plana y nivelada. El lugar seleccionado debe ser estable y estar libre de vibraciones.
2. Quite la banda de sujeción que sostiene el brazo del tocadiscos.
3. Conecte el adaptador de CA al conector de alimentación de la unidad.

*Nota: No enchufe el transformador de CA a un tomacorriente hasta terminar de ensamblar las partes. Antes de encender el equipo, vuelva a asegurarse de que todos los ajustes de conexión estén correctos. Siempre apague la unidad al conectarla o desconectarla.*

## Conexión del sistema estéreo

---

### Conectores RCA

- Los conectores RCA generan señales analógicas de nivel de línea y se pueden conectar directamente con un par de parlantes activos o en la entrada correspondiente de su sistema estéreo.
- El cable rojo se conecta en el canal derecho, y el cable blanco se conecta en el canal izquierdo.

*Nota: Los conectores RCA no están diseñados para conectarse directamente a parlantes pasivos. Si se los conecta a parlantes pasivos, el nivel de volumen será muy bajo.*

## Conexión de entrada auxiliar

---

Puede conectar un dispositivo de audio a esta unidad y reproducir su música a través de los parlantes. Para hacerlo, conecte el cable auxiliar de 3.5 mm entre su dispositivo de audio y el **Conector de entrada auxiliar** de esta unidad y comience a reproducir la música.

*Nota: La conexión de entrada auxiliar invalidará automáticamente la función tocadiscos o Bluetooth. Para volver a utilizar la función tocadiscos o Bluetooth, desconecte el cable auxiliar del conector de entrada auxiliar.*

*El Indicador de función será morado.*

## Funcionamiento del tocadiscos

---

1. Gire la **Perilla de volumen encendido/apagado** para encenderlo.
2. Ajuste el Interruptor de funciones a la posición FONO.  
*Nota: El Indicador de función será rojo.*
3. Ajuste el **Interruptor de velocidad** según corresponda.
4. Coloque el disco en el tocadiscos. De ser necesario, utilice el **Adaptador de 45 rpm**.
5. Quite el protector de la aguja fonográfica de su ensamblaje.  
*Nota: Para evitar los daños de la aguja fonográfica, asegúrese de que el protector esté ubicado correctamente cada vez que mueva o limpie el tocadiscos.*
6. Suelte el **Broche de sujeción** del tocadiscos.  
*Nota: Cuando el tocadiscos no se utilice, recuerde volver a trabar el broche de sujeción.*
7. Use la **Palanca del brazo del tocadiscos** para levantar el brazo.
8. Mueva suavemente el brazo del tocadiscos sobre el disco en la parte que desea comenzar a reproducir. Ajuste la **Palanca del brazo del tocadiscos** de vuelta a la posición hacia abajo. El brazo bajará lentamente hacia el disco y se comenzará a reproducir.
9. Cuando el disco termine de reproducirse, utilice la **Palanca del brazo del tocadiscos** una vez más para levantar el brazo y volver a colocarlo en el **Soporte del brazo**. Suelte la palanca para permitir que el brazo vuelva a apoyarse sobre su soporte. Para suspender la reproducción, siga los mismos pasos.
10. Trabe el **Broche del brazo del tocadiscos** para asegurarlo.

## Detención automática de la bandeja

---

Si el **Interruptor de detención automática** se encuentra en la posición ENCENDIDO, la bandeja dejará de girar automáticamente cuando el disco termine de reproducirse. En raras ocasiones, si el tocadiscos deja de reproducir el disco antes de que termine, ajuste el interruptor a la posición APAGADO. El problema se debería solucionar de esta manera.

## Control de tono

---

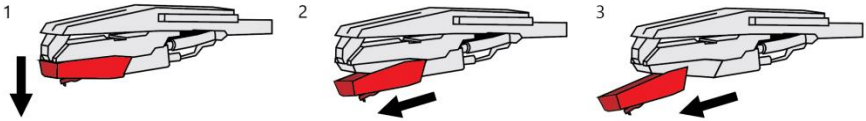
La velocidad de la plataforma puede ser aumentado o disminuido en aproximadamente un 10% girando el botón de control de tono. Para aumentar la velocidad, gire la perilla de control de Pitch las agujas del reloj. Para disminuir la velocidad, girar el mando en sentido antihorario.



## Reemplazo de la aguja

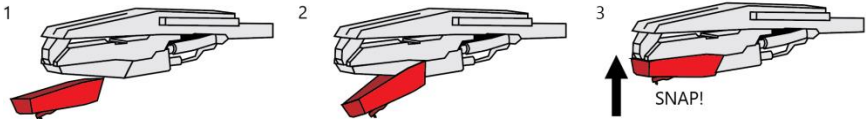
### Quitar la aguja

1. Tire del borde delantero de la aguja con suavidad.
2. Tire la aguja hacia adelante.
3. Tire hacia fuera y quítela.



### Instalar la aguja

1. Coloque la aguja de manera tal que la punta quede hacia abajo.
2. Alinee la parte trasera de la aguja con la cápsula.
3. Introduzca la aguja con el extremo delantero en un ángulo descendente y suavemente levante la parte delantera de la aguja hacia arriba hasta que se trabe en su lugar.



## Funcionamiento de Bluetooth

1. Coloque el interruptor de función en modo Bluetooth  $\text{X}$ .  
*Nota: El Indicador de función parpadeará en azul.*
2. Active la conexión de Bluetooth en el dispositivo de audio, busque "CROSLEY CR8005G" y conéctelo.
3. Una vez que el dispositivo quede conectado correctamente, la unidad emitirá un sonido corto de confirmación, y el indicador de función será azul.
4. Reproduzca música en forma inalámbrica desde el dispositivo hacia la unidad.

*Nota: Versión de Bluetooth – 5.0*

## Operación de salida Bluetooth

---

Este tocadiscos cuenta con salida Bluetooth, que es un dispositivo que transmite audio desde este tocadiscos a otro dispositivo Bluetooth, como audífonos Bluetooth inalámbricos, altavoces Bluetooth u otros dispositivos receptores Bluetooth.

1. Coloque el dispositivo de audio compatible con la tecnología Bluetooth lo más cerca posible de su tocadiscos.
2. Coloque el interruptor de función del tocadiscos en la posición central para la salida Bluetooth.

*Nota: El indicador de función parpadeará lentamente en azul.*

3. Establezca el dispositivo que desea conectar al modo de emparejamiento.
4. El tocadiscos se conectará automáticamente al dispositivo de audio una vez que ambos estén en modo de emparejamiento.
5. Cuando el emparejamiento haya finalizado, el indicador de función permanecerá en color azul sólido.

*Nota: Si el emparejamiento no es exitoso, asegúrese de que su dispositivo de audio no esté emparejado/conectado a otro dispositivo Bluetooth.*

## Mantenimiento del tocadiscos

---

1. No toque la punta de la aguja fonográfica con los dedos. Evite golpear la aguja fonográfica con el cobertor para el tocadiscos o con el borde del disco.
2. Limpie la aguja fonográfica con frecuencia con un cepillo suave mediante movimientos de atrás hacia adelante.
3. Limpie los discos para quitarles el polvo o la grasa con un cepillo para limpiar discos y con una solución de limpieza para discos.
4. Limpie la tapa del tocadiscos y el gabinete con un paño de microfibras ligeramente humedecido.

*Nota: No utilice otros limpiadores que contengan alcohol, benceno o cualquier otro químico agresivo que pueda dañar la pintura y la terminación del tocadiscos.*

**\*\* Crosley ofrece una línea de productos de distintos accesorios de limpieza. Para obtener más información acerca de los productos de limpieza, consulte a un comerciante o visite nuestro sitio web [www.crosleyradio.com](http://www.crosleyradio.com).**

## **Solución de problemas**

---

### **La unidad no enciende.**

- El transformador no está conectado correctamente.
- No hay energía en el tomacorriente.
- Con el fin de ahorrar en el consumo de energía, algunos modelos cumplirán con el estándar de ahorro de energía ERP (productos relacionados con la energía). En el caso de que no se produzca la entrada de audio durante 20 minutos, estos equipos se desactivarán automáticamente. Para volver a encender la unidad y reanudar la reproducción, apáguela y vuelva a encenderla.

### **El equipo está encendido pero la bandeja no gira.**

- Se ha salido la correa de transmisión del tocadiscos.
- Un cable de entrada auxiliar está conectado en el conector de entrada auxiliar. Desconéctelo.

### **El tocadiscos gira pero no emite sonidos o los sonidos no son lo suficientemente fuertes.**

- El protector de la aguja fonográfica aún está colocado.
- La palanca levanta el brazo del tocadiscos.
- Los auriculares están conectados.

## **Declaraciones de la FCC**

---

Este dispositivo cumple con la Sección 15 de las reglas de la Comisión Federal de Comunicaciones (FCC). El uso de este equipo está sujeto a las dos condiciones siguientes:

- (1) Este dispositivo no causa interferencia perjudicial y
- (2) este dispositivo debe aceptar cualquier interferencia recibida, incluso interferencia que pueda causar un funcionamiento no deseado.

Nota: Este equipo se verificó y se comprobó que cumple con los límites para un dispositivo digital clase B, conforme a la Sección 15 de las reglas de la Comisión Federal de Comunicaciones (FCC). Estos límites están diseñados para brindar una protección razonable frente a interferencia perjudicial en un establecimiento residencial. Este equipo genera, usa y puede irradiar energía de radiofrecuencia y, si no se instala y utiliza siguiendo las instrucciones, puede causar interferencia perjudicial a las radiocomunicaciones. Sin embargo, no existe garantía de que la interferencia no ocurrirá en una instalación en particular. Si este equipo causa interferencia perjudicial a las radiocomunicaciones o a la recepción televisiva, lo que se puede determinar al encender y apagar el equipo, se recomienda que el usuario intente corregir la interferencia mediante una o más de las siguientes medidas:

- Reorientar o reubicar la antena de recepción.
- Aumentar la separación entre el equipo y el receptor.
- Conectar el equipo a una toma en un circuito diferente del circuito en el que está conectado el receptor.
- Consultar al proveedor o a un técnico con experiencia en radio/TV para obtener ayuda.

Nota: El Beneficiario no es responsable de cualquier cambio o modificación que no tenga la aprobación expresa de la parte responsable del cumplimiento. Estas modificaciones podrían anular la autoridad del usuario para operar el equipo.

El dispositivo ha sido evaluado para cumplir con el requisito general de exposición a RF. Para mantener el cumplimiento de las pautas de exposición a RF de la FCC, la distancia debe ser de al menos 20 cm entre el radiador y su cuerpo, y debe estar totalmente soportada por las configuraciones de instalación y operación del transmisor y su(s) antena(s).

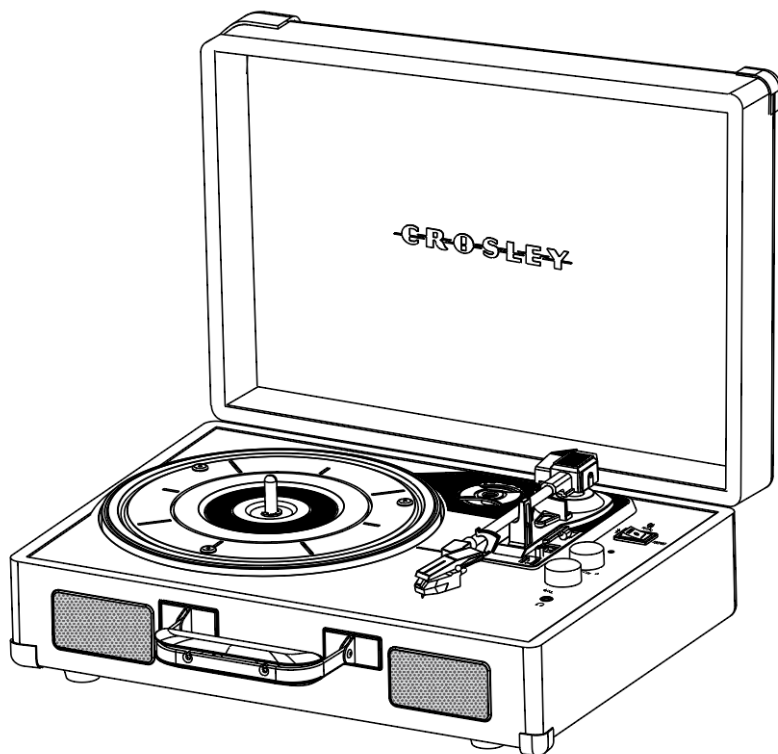
### **DECLARACIÓN DE CONFORMIDAD SIMPLIFICADA DE EU**

Por la presente, Modern Marketing Concepts Inc., que opera bajo la denominación comercial de Crosley Brands, declara que el tipo de equipo de radio cumple con la Directiva 2014/53/UE. El texto completo de la declaración de conformidad de la UE está disponible en la siguiente dirección de Internet:  
<http://crosleybrands.com/euDoC>

# CROSLEY®

**CR8005G**  
**Cruiser Premier**  
**Manuel d'utilisation**

---



Des questions, problèmes, pièces manquantes?  
Avant de retourner au magasin, appelez le service à la clientèle  
De 8 h à 18 h, HNE, du lundi au vendredi  
1-888-CROSLEY  
[www.crosleyradio.com](http://www.crosleyradio.com)

## Instructions de sécurité

---

Veillez lire et comprendre l'intégralité de ce manuel avant d'utiliser ce produit. Conservez ces instructions pour pouvoir les consulter ultérieurement.

1. Ne pas utiliser ce produit près de l'eau.
2. Ce produit doit être alimenté uniquement par le type de source d'alimentation indiqué sur l'étiquette ou dans le présent manuel d'utilisation.
3. Ne pas tenter de modifier le dispositif de sécurité que constitue la fiche polarisée. Une fiche polarisée a deux lames, l'une étant plus large que l'autre. Cette fiche peut être insérée dans une prise électrique d'une seule façon. S'il est impossible d'insérer la fiche complètement dans la prise, inverser la fiche. Si la fiche ne peut toujours pas s'insérer entièrement, contacter un électricien.
4. Faire en sorte que personne ne marche sur le cordon d'alimentation ou que ce dernier ne soit pas pincé, notamment au niveau des fiches, des prises murales et du point de sortie du produit.
5. Ne pas surcharger les prises murales, cordons de rallonge ou prises de courant intégrales, car cela pourrait entraîner un risque d'incendie ou de décharge électrique.
6. Ne jamais pousser d'objets, quelle que soit leur nature, dans les ouvertures, car ils pourraient toucher des points de tension dangereux ou court-circuiter des pièces, ce qui pourrait entraîner un incendie ou une décharge électrique. Ne jamais renverser de liquide, quelle qu'en soit la nature, sur le produit.
7. Ne pas tenter de réparer ce produit vous-même, car couvrir ou ôter des couvercles pourrait vous exposer à une tension dangereuse ou à d'autres dangers. Faire appel à une personne qualifiée pour toutes les réparations.
8. Les changements ou les modifications non approuvés expressément par la partie responsable de la conformité pourraient annuler le droit de l'utilisateur de faire fonctionner le matériel.
9. Ne pas utiliser d'accessoires non recommandés par le fabricant du produit, car ils pourraient causer des dommages.
10. Il est important de déplacer avec prudence le produit s'il se trouve sur un chariot. Les arrêts brusques, une force excessive et les surfaces inégales peuvent entraîner le retournement du produit sur un chariot.
11. Des fentes et ouvertures sont présentes dans le boîtier pour la ventilation, pour assurer un fonctionnement fiable du produit et pour le protéger d'une surchauffe. Ne pas bloquer ou couvrir ces ouvertures.
12. Débrancher le produit pendant un orage ou lorsqu'il est inutilisé pendant une période prolongée.

---

## Contenu de la trousse

---

Avant de jeter les emballages, veuillez les passer en revue minutieusement et vérifier que vous avez les éléments suivants fournis dans cette trousse :

- Tourne-disque
- Adaptateur 45 tours
- Adaptateur d'alimentation

Veuillez contacter le service à la clientèle de Crosley s'il manque des accessoires dans la trousse. **Conservez les emballages d'origine pour procéder à un échange ou à un retour.**

---

## Spécifications

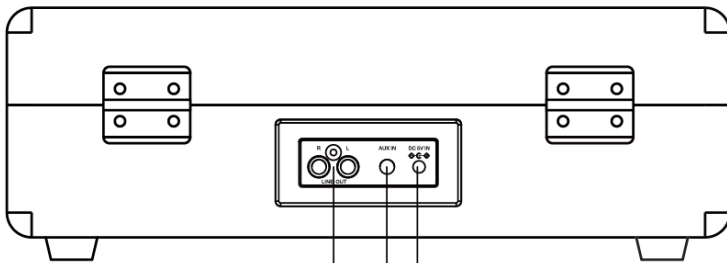
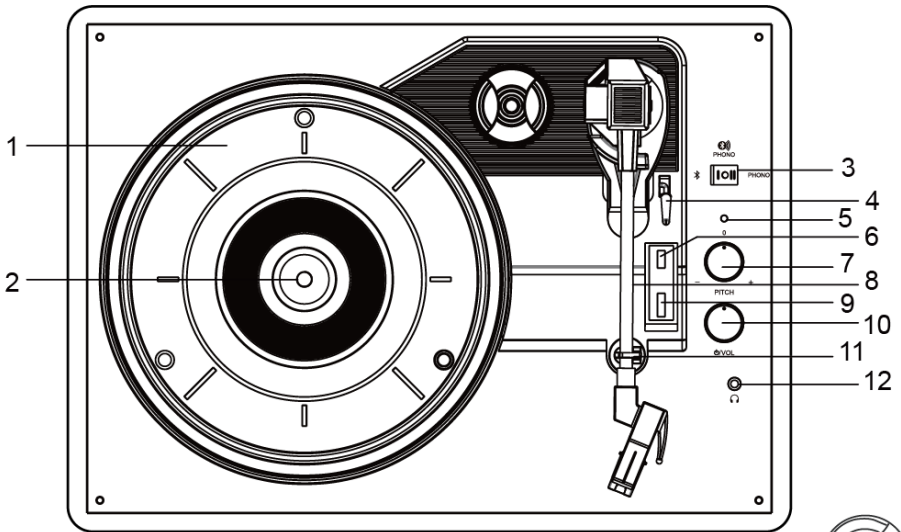
---

Alimentation	Adaptateur c.a., sortie c.c. 5 V 1 A
Consommation électrique	13 W
Haut-parleur	4Ω, 3W x 2
Vitesse du tourne-disque	33 <sup>1</sup> / <sub>3</sub> , 45, 78 T/M
Aiguille de rechange	Crosley NP-16

Remarque :

- *La conception et les spécifications sont sujettes à modification sans préavis.*
- **Pour contribuer à économiser de l'énergie, certains modèles se conformeront à la norme d'économie d'énergie ERP (Energy-Related Products). En l'absence d'entrée audio pendant 20 minutes, l'alimentation se coupera automatiquement. Pour rétablir l'alimentation en courant et reprendre la lecture, vous devrez éteindre l'appareil puis le rallumer.**

## Description du produit



- |  |  |
|--|--|
| <p>1. Plateau du tourne-disque<br/>                 2. Broche du tourne-disque<br/>                 3. Sélecteur de fonction<br/>                 4. Levier du bras de lecture<br/>                 5. Voyant de fonction<br/>                 6. Commutateur d'arrêt automatique<br/>                 7. Variateur de vitesse<br/>                 8. Bras de lecture</p> | <p>9. Sélecteur de vitesse<br/>                 10. Bouton ON/OFF du volume<br/>                 11. Attache de retenue<br/>                 12. Prise pour casque d'écoute<br/>                 13. Prises RCA<br/>                 14. Prise d'entrée aux<br/>                 15. Prise d'alimentation<br/>                 16. Adaptateur 45 tours</p> |
|--|--|



## Configuration initiale

---

### Configuration de base

1. Placez l'appareil sur une surface plane. L'emplacement choisi doit être stable et sans vibration.
2. Retirez l'attache qui retient le bras de lecture.
3. Branchez l'adaptateur c.a. à la prise d'alimentation de l'appareil.

*Remarque : Ne branchez pas l'adaptateur c.a. à la prise avant la fin du montage. Avant d'allumer l'appareil, vérifiez à nouveau que tous les paramètres des branchements sont corrects. Mettez toujours l'appareil hors tension lorsque vous effectuez ou supprimez des branchements.*

## Branchement du système stéréo

---

### Prises RCA

- Les prises RCA émettent des signaux de niveau de ligne analogique et peuvent être connectées directement avec une paire de haut-parleurs actifs/sous tension ou l'entrée appropriée de votre système stéréo.
- La prise rouge se branche sur le canal droit et la prise blanche se branche sur le canal gauche.

*Remarque : Les prises RCA ne sont pas conçues pour être branchées directement aux haut-parleurs passifs/qui ne sont pas sous tension. Si elles sont branchées aux haut-parleurs passifs, le niveau du volume sera très bas.*

## Branchement de l'entrée Aux

---

Vous pouvez brancher un périphérique audio à cet appareil afin d'écouter de la musique avec vos écouteurs. Pour cela, branchez le câble auxiliaire 3,5 mm entre votre périphérique audio et la **prise d'entrée Aux** de cet appareil et commencez à écouter de la musique.

*Remarque :*

*La prise d'entrée Aux ignorera automatiquement les fonctions tourne-disque ou Bluetooth. Pour utiliser à nouveau les fonctions tourne-disque ou Bluetooth, débranchez le câble auxiliaire de la prise d'entrée Aux.*

*Le voyant de fonction sera violet.*

## Utilisation du tourne-disque

---

1. Tournez le bouton On/Off du volume pour mettre l'appareil sous tension.
2. Mettez le sélecteur de fonction en position PHONO (PHONO).  
*Remarque : Le voyant de fonction sera rouge.*
3. Réglez le sélecteur de vitesse en conséquence.
4. Placez le disque sur le tourne-disque. Utilisez l'adaptateur 45 tours si besoin.
5. Retirez la protection du stylet de son assemblage.  
*Remarque : Pour éviter d'endommager le stylet, vérifiez que la protection intégrée du stylet est bien en place lorsque vous déplacez ou nettoyez le tourne-disque.*
6. Relâchez l'attache de retenue du bras de lecture.  
*Remarque : Lorsque vous n'utilisez pas le tourne-disque, n'oubliez pas de verrouiller à nouveau l'attache de retenue.*
7. Utilisez le levier du bras de lecture pour soulever le bras de lecture.
8. Déplacez doucement le bras de lecture au-dessus du disque, là où vous souhaitez commencer la lecture. Abaissez le levier du bras de lecture. Le bras de lecture descendra doucement sur le disque et commencera la lecture.
9. Lorsque la lecture du disque est terminée, utilisez à nouveau le levier du bras de lecture pour soulever le bras de lecture et le remettre sur le support du bras de lecture. Relâchez le levier pour reposer le bras de lecture sur son support. Pour interrompre la lecture, répétez les mêmes étapes.
10. Verrouillez l'attache du bras de lecture pour retenir le bras de lecture.

## Arrêt automatique du plateau

---

Si le **sélecteur d'arrêt automatique** est en position ON (MARCHE), le plateau s'arrêtera automatiquement de tourner lorsque la lecture du disque sera terminée. Dans quelques rares occasions, si le tourne-disque s'arrête de lire avant la fin du disque, positionnez le sélecteur sur OFF (ARRÊT) : le tourne-disque devrait surmonter ce problème.

## Variateur de vitesse

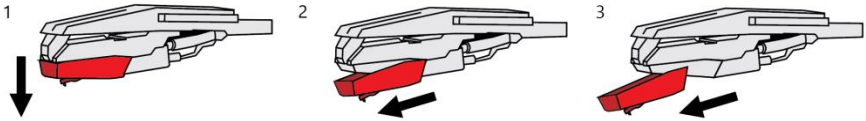
---

La vitesse de platine peut être augmentée ou diminuée d'environ 10% en faisant tourner le bouton de commande de hauteur. Pour augmenter la vitesse, tourner le variateur de vitesse dans le sens horaire. Pour réduire la vitesse, tournez le bouton dans le sens antihoraire.

## Remplacement de l'aiguille

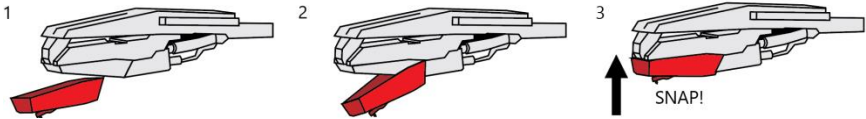
### Retrait de l'aiguille

1. Tirez doucement vers le bas le bord avant de l'aiguille.
2. Tirez l'aiguille vers l'avant.
3. Tirez vers l'extérieur pour l'enlever.



### Installation de l'aiguille

1. Positionnez l'aiguille avec son extrémité vers le bas.
2. Alignez l'arrière de l'aiguille avec la cartouche.
3. Insérez l'aiguille avec son extrémité avant à un angle descendant et soulevez doucement l'avant de l'aiguille vers le haut jusqu'à ce qu'il s'enclenche.



## Utilisation du Bluetooth

1. Mettez le **Sélecteur de fonction** sur le mode Bluetooth  $\times$   
*Remarque : L'indicateur de fonction clignote en bleu.*
2. Activez la fonction Bluetooth de votre appareil audio, recherchez « CROSLEY CR8005G » et associez l'appareil.
3. Une fois votre appareil associé à l'unité, celle-ci émettra un bref son de confirmation, et l'indicateur de fonction sera bleu.
4. Lire et diffuser de la musique en continu de votre appareil sur l'unité.

*Remarque : Versions de Bluetooth – 5.0*

## Fonctionnement de la sortie Bluetooth

---

Ce tourne-disque est doté d'une sortie Bluetooth qui transmet l'audio de ce tourne-disque à un autre appareil Bluetooth comme un casque sans fil, des haut-parleurs ou d'autres appareils de réception Bluetooth.

1. Placez l'appareil audio qui prend en charge la technologie Bluetooth aussi près que possible de votre tourne-disque.
2. Réglez le sélecteur de fonction du tourne-disque à la position du milieu pour la sortie Bluetooth.

*Remarque : Le voyant de fonction clignote lentement en bleu.*

3. Réglez l'appareil que vous souhaitez connecter au mode de jumelage.
4. Votre tourne-disque se connectera automatiquement à votre appareil audio une fois qu'ils seront en mode de jumelage.
5. Une fois le jumelage terminé, le voyant de fonction devient bleu fixe.

*Remarque : Si le jumelage échoue, assurez-vous que votre appareil audio n'est pas jumelé ou connecté à un autre appareil Bluetooth.*

## Entretien du tourne-disque

---

1. Ne pas toucher l'extrémité du stylet avec vos doigts. Éviter de cogner le stylet sur le tapis du tourne-disque ou le bord du disque.
2. Nettoyer souvent le stylet avec une brosse douce dans un mouvement d'arrière vers l'avant uniquement.
3. Nettoyer les disques pour retirer la poussière ou la graisse avec une brosse de nettoyage pour disque et une solution nettoyante pour disque.
4. Nettoyer le couvercle du tourne-disque et le boîtier du tourne-disque avec un chiffon microfibre légèrement humide.

*Remarque : Ne pas utiliser d'autre nettoyant contenant de l'alcool, du benzène ou tout autre produit chimique nocif qui pourrait endommager la peinture et la finition du tourne-disque.*

**\*\* Crosley propose toute une gamme d'accessoires de nettoyage.**

**Veillez contacter votre détaillant ou consulter notre site Web**

**[www.crosleyradio.com](http://www.crosleyradio.com) pour obtenir plus d'informations sur les produits de nettoyage.**

## **Dépannage**

---

### **L'appareil ne s'allume pas**

- L'adaptateur d'alimentation n'est pas branché correctement.
- Aucune alimentation au niveau de la prise électrique.
- Pour contribuer à économiser de l'énergie, certains modèles se conformeront à la norme d'économie d'énergie ERP (Energy-Related Products). En l'absence d'entrée audio pendant 20 minutes, l'alimentation se coupera automatiquement. Pour rétablir l'alimentation en courant et reprendre la lecture, éteignez l'appareil puis rallumez-le.

### **L'appareil est allumé, mais le plateau ne tourne pas**

- La courroie d'entraînement du tourne-disque a glissé.
- Un câble d'entrée Aux est branché à la prise d'entrée Aux, débranchez-le.

### **Le tourne-disque tourne, mais il n'y a pas de son ou le son n'est pas suffisamment fort.**

- La protection du stylet n'a pas été enlevée.
- Le bras de lecture est soulevé par le levier.
- Le casque d'écoute est branché.

## **Déclarations relatives à la FCC**

---

Cet appareil est conforme à la partie 15 des règles de la FCC. Son fonctionnement est assujéti aux deux conditions suivantes :

- (1) Cet appareil ne peut causer des interférences nuisibles et
- (2) cet appareil doit accepter toute interférence reçue, y compris celles susceptibles de causer un fonctionnement indésirable.

Remarque : Ce matériel a été testé et jugé en conformité avec les limites pour un appareil numérique de Classe B, conformément à la partie 15 des règles de la FCC. Ces limites ont été établies pour offrir une protection raisonnable contre l'interférence nuisible dans une installation résidentielle. Cet appareil produit, utilise et peut émettre de l'énergie de fréquence radio et, s'il n'est pas installé et utilisé conformément aux instructions, il peut provoquer de l'interférence nuisible aux communications radio. Toutefois, il n'existe aucune garantie qu'il n'y aura pas d'interférence dans une installation particulière. Si ce matériel cause de l'interférence nuisible à la réception radio ou de télévision, qui peut être déterminée en allumant et en éteignant le matériel, il est conseillé à l'utilisateur de tenter de remédier à l'interférence par l'un ou plusieurs des moyens suivants :

- Réorienter ou déplacer l'antenne de réception.
- Augmenter la distance entre le matériel et le récepteur.
- Brancher le matériel à une prise sur un circuit différent de celui du récepteur.
- Consulter le détaillant ou un technicien de radios ou de téléviseurs qualifié pour obtenir de l'aide.

Remarque : Le concessionnaire n'est pas responsable des modifications qui ne sont pas expressément approuvées par la partie responsable de la conformité. De telles modifications pourraient annuler l'autorité de l'utilisateur à utiliser l'équipement. L'appareil a été évalué pour respecter les exigences générales en matière d'exposition aux RF.

Pour assurer la conformité aux directives de la FCC en matière d'exposition aux radiofréquences, la distance doit être d'au moins 20 cm entre le radiateur et votre corps et être entièrement soutenue par les configurations de fonctionnement et d'installation de l'émetteur et de ses antennes.

### **DÉCLARATION DE CONFORMITÉ DE L'EU SIMPLIFIÉE**

Par la présente, Modern Marketing Concepts Inc. dba Crosley Brands déclare que le type d'équipement radio est conforme à la directive 2014/53/UE. Le texte intégral de la déclaration de conformité de l'UE est accessible à l'adresse Internet suivante.  
<http://crosleybrands.com/euDoC>