



CR7501A
Nocturne Record Player with Speakers
Instruction Manual



Questions, problems, missing parts?
Before returning to the store, call Customer Service
8 a.m. – 6 p.m., EST, Monday – Friday
1-888-CROSLEY
www.crosleyradio.com

Safety Instructions

Read and understand this entire manual before using this product. Keep these instructions for future reference.

1. Do not use this product near water.
2. This product should be operated only by the type of power source indicated on the marking label or in this instruction manual.
3. Do not defeat the safety purpose of the polarized plug. A polarized plug has two blades with one blade wider than the other. This plug will fit into the power outlet only one way. If you are unable to insert the plug fully into the outlet try reversing the plug. If the plug should still fail to fit, contact your electrician.
4. Protect the power cord from being walked on or pinched particularly at plugs, convenience receptacles, and the point where they exit from the product.
5. Do not overload wall outlets, extension cords, or integral convenience receptacles as this can result in a risk of fire or electric shock.
6. Never push objects of any kind into this product through openings as they may touch dangerous voltage points or short-out parts that could result in a fire or electric shock. Never spill liquid of any kind on the product.
7. Do not attempt to service this product yourself as opening or removing covers may expose you to dangerous voltage or other hazards. Refer all servicing to qualified service personnel.
8. Changes or modifications to this unit not expressly approved by the party responsible for compliance could void the user's authority to operate the equipment.
9. Do not use attachments not recommended by the product manufacturer as they may cause hazards.
10. A product and cart combination should be moved with care. Quick stops, excessive force, and uneven surfaces may cause the product and cart combination to overturn.
11. Slots and openings in the cabinet are provided for ventilation and to ensure reliable operation of the product and to protect it from overheating. Do not block or cover these openings.
12. Unplug the product during lightning storm or when unused for long periods of time.

Items in this package

Before throwing away any packaging materials, please check thoroughly and make sure you find the following items that come along with this package:

- Turntable
- Turntable Lid
- Turntable Platter
- Turntable slip mat
- Tonearm Counterweight
- 45 RPM adapter
- Power adaptor
- Speakers

Please contact Crosley customer service if there is any accessory missing from the package. **Retain the original packaging materials for exchange or return purposes.**

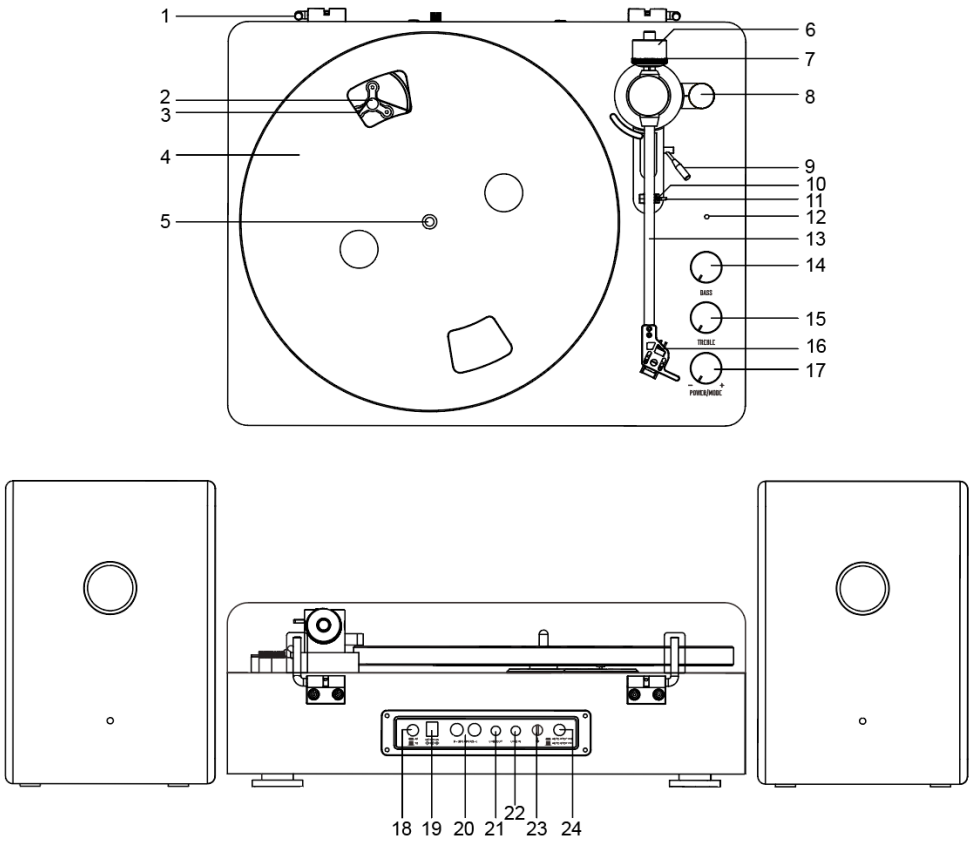
Specifications

Power	AC power adaptor, DC output 15V 3A
Power consumption	45 W
Speaker:	
Tweeter	6Ω 15W x 2
Woofer	6Ω 25W x 2
Turntable speed	33 ¹ / ₃ , 45 RPM
Replacement needle	Crosley NP5

Note:

- *Design and specifications are subject to change without notice.*
- **To help save power consumption, some models will comply with ERP energy saving standard. When there is no audio input for 20 minutes, power will automatically cut-off. To turn power back on and resume playing, you will need to turn off the power and turn it on again.**

Product Description



- | | |
|-------------------------------|----------------------------|
| 1. Hinges | 13. Tonearm |
| 2. Drive Pulley | 14. Bass Knob |
| 3. Drive Belt | 15. Treble Knob |
| 4. Turntable Platter | 16. Headshell |
| 5. Turntable Spindle | 17. Power/Volume/Mode Knob |
| 6. Tonearm Counterweight | 18. Speed Selector |
| 7. Downforce Scale Dial | 19. Power Jack |
| 8. Anti-Skate Adjustment Dial | 20. Speaker Jacks |
| 9. Tonearm Lever | 21. Line Out Jack |
| 10. Tonearm Clip | 22. Line In Jack |
| 11. Tonearm Rest | 23. Ground Connector |
| 12. Function Indicator | 24. Auto Stop Button |

Initial Setup

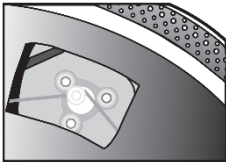
Essential Setup

1. Place the unit on a flat and level surface. The selected location should be stable and free from vibration.
2. Install the turntable lid to the hinges.
3. Remove the tie-wrap that is holding the tonearm.
4. Install the turntable platter and drive belt accordingly
5. Place the slip mat on top of the turntable platter.
6. Slide Tonearm Counterweight onto tonearm and twist it lightly onto the rear shaft of the tonearm.
7. Adjust the counterweight to set proper stylus pressure.
8. Connect the Speakers to the Speaker Jacks on the back of the unit.
9. Connect AC adaptor to the Power Jack of the unit.
10. Long press the Power/ Volume/ Mode Knob to turn the unit on and off.

Note: Do not plug the AC power adaptor to power outlet before all the assembly is completed. Before turning the power on, make sure again all the connection settings are correct. Always turn off the power when connecting or disconnecting.

Turntable Platter and Belt Setup

1. Install the drive belt over the inner ring under the platter and make sure it won't fall off during the setup.
2. Place the platter through the turntable spindle, then rotate the platter until you see the drive motor pulley through the window at the top right corner.
3. Carefully grab the drive belt and put it around the slot of motor pulley.



Tonearm Counterweight Adjustment for Stylus Pressure

1. Remove the stylus protector from the cartridge and avoid touching the stylus tip during the adjustment.
2. Release the Tonearm Clip, gently hold the tonearm and move it away from the Tonearm Rest. At this point, the tone arm is unbalanced and free to swing.
3. Lift the Tonearm from its rest and gently hold it. The tone arm is unbalanced at this point.
4. Carefully rotate the Counterweight towards the front of the turntable until the tonearm is horizontally balanced and hovers freely just above the platter without the stylus touching the platter surface.
5. Return the tonearm to the Tonearm Rest and lock the Tonearm Clip.

6. While holding the counterweight steady without any rotation, rotate carefully only the Downforce Scale Dial until the “0” on the scale lines up with the centerline marked along the top of the tonearm.
7. Rotate the counterweight including the downforce scale dial counter-clockwise (as seen from the front of the turntable) to adjust the pressure to the stylus manufacturer recommendations.

Note: The recommended pressure for the factory-installed cartridge is 3.0 – 3.5g

Line Input/Output Connections

Line Input Connection

You can connect an audio device to this unit and play your music through its speakers. To do this, connect the 3.5mm auxiliary cable (not included) between your audio device, and the Line In Jack of this unit, press the Mode Button until Line Mode is selected and start playing the music.

Note: The function indicator will be teal.

Line Out Connection

1. If needed, first insert one end of the 3.5mm auxiliary cable (not included) into the Line Input jack on your powered speakers according to their user manual.
2. Insert the other end of the 3.5mm auxiliary cable into the Line Output jack on the unit.

Turntable Operation

1. Long press the Power/ Volume/ Mode Knob to turn the unit on.
2. Press the Mode Button and select the Phono mode.
3. Set the Speed Selector accordingly.
4. Place the record on the turntable. Use the 45 RPM Adapter if necessary.
5. Remove the stylus protector from the stylus assembly.

Note: To avoid stylus damage, make certain the included stylus guard is in place whenever the turntable is being moved or cleaned.

6. Release the Tonearm Clip.
Note: when the turntable is not in use, remember to lock the Tonearm clip.
7. Use the Cue Lever to lift the tonearm.
8. Gently move the tonearm over the record where play is desired to begin. Set the Cue Lever back to the down position. The tonearm will descend slowly onto the record and begin to playback.
9. When the record is finished playing, use the Cue Lever again to raise the tonearm and then return it to the Tonearm Rest. Release the lever to let the tonearm sit back at its rest. To suspend the playback, repeat the same steps.
10. Lock the Tonearm Clip to secure the tonearm.

Anti-skate Adjustment

- A small outward “anti-skating” force can be applied to the tone arm to compensate for the “skating” force that pulls the arm toward the center of the record.
- For best performance during normal turntable usage, it is recommended to set the anti-skate control knob to the same value as indicated by the downforce scale dial.

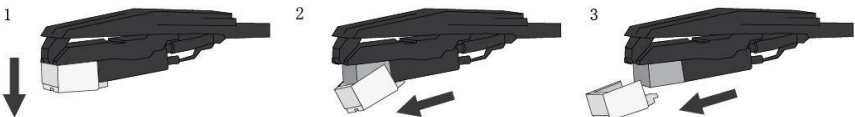
Platter Auto-stop

If the Auto-stop Button is set to ON position, the platter will stop spinning automatically when the record plays to the end. In some rare occasion, if the turntable stops playing before the end of the record, set the Button to OFF position the turntable should overcome this issue.

Needle Replacement

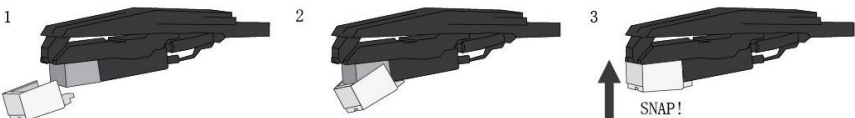
Removing Needle

1. Gently pull down the front edge of the needle.
2. Pull needle forward.
3. Pull out and remove.



Installing Needle

1. Position the needle with its tip facing down.
2. Line up the back of the needle with the cartridge.
3. Insert the needle with its front end at a downward angle and gently lift the front of the needle upward until it snaps into place.



Bluetooth Operation

1. Press the Mode Button and select Bluetooth mode.
Note: The function indicator will be flashing blue quickly.
2. Turn on the Bluetooth feature of your audio device, search for “CROSLEY CR7501A” and pair.
3. Once your device is successfully paired with the unit, you will hear a short confirmation sound from the unit, and the function indicator will be blue.
4. Play and stream music from your device to the unit.

Note: Bluetooth version – 5.0

Bluetooth Output Operation

This turntable features Bluetooth output which is a device that transmits audio from this turntable to another Bluetooth device such as wireless Bluetooth headphones, Bluetooth speakers, or other Bluetooth receiving devices.

1. Place the audio device that supports Bluetooth technology as close to your turntable as possible.
2. Press the Mode Button and select Bluetooth output mode.
Note: The function indicator will slowly flash blue.
3. Set the device that you would like to connect to pairing mode.
4. Your turntable will connect automatically to your audio device once they are both in pairing mode.
5. When the pairing is complete, the function indicator will be solid blue.
6. Proceed with the Turntable Operation instructions.

Note: If pairing is unsuccessful, make sure your audio device is not paired/connected to another Bluetooth device.

Only the main volume knob adjusts the external Bluetooth device's volume, while the treble and bass knobs don't change the speakers treble and bass.

Turntable Maintenance

1. Do not touch the stylus tip with your fingers. Avoid bumping the stylus on the turntable mat or a record's edge.
2. Clean the stylus frequently with a soft brush with a back-to-front motion only.
3. Clean the records with a record cleaning brush and record cleaning solution to get rid of dust or grease.
4. Clean the turntable lid and turntable cabinet with a slightly damp microfiber cloth.

Note: Do not use cleanser that contains alcohol, benzene, or any other harsh chemicals that can damage the paint and finish of the turntable.

**** Crosley offers a product line of different cleaning accessories. Please ask your retailer or check out our website www.crosleyradio.com for more cleaning product information.**

Troubleshooting

There is no power

- Power adaptor is not connected correctly.
- No power at the power outlet.
- To help save power consumption, some models will comply with ERP energy saving standard. When there is no audio input for 20 minutes, their powers will automatically cut-off. To turn power back on and resume playing, turn off the power and turn it on again.

Turntable is spinning, but there is no sound, or sound is not loud enough

- Stylus protector is still on.
- Tone arm is lifted by the lever.

Bluetooth not connecting

- Forget the device then try connecting again.
- Ensure you are not too far away from unit when connecting.
- Power cycle both devices and try steps to connect again.

FCC Statements

This device complies with part 15 of the FCC Rules. Operation is subject to the following two conditions:

- (1) This device may not cause harmful interference, and
- (2) this device must accept any interference received, including interference that may cause undesired operation.

Note: This equipment has been tested and found to comply with the limits for a Class B digital device, pursuant to part 15 of the FCC Rules. These limits are designed to provide reasonable protection against harmful interference in a residential installation. This equipment generates, uses and can radiate radio frequency energy and, if not installed and used in accordance with the instructions, may cause harmful interference to radio communications. However, there is no guarantee that interference will not occur in a particular installation. If this equipment does cause harmful interference to radio or television reception, which can be determined by turning the equipment off and on, the user is encouraged to try to correct the interference by one or more of the following measures:

- Reorient or relocate the receiving antenna.
- Increase the separation between the equipment and receiver.
- Connect the equipment into an outlet on a circuit different from that to which the receiver is connected.
- Consult the dealer or an experienced radio/TV technician for help.

Note: The Grantee is not responsible for any changes or modifications not expressly approved by the party responsible for compliance. such modifications could void the user's authority to operate the equipment.

The device has been evaluated to meet general RF exposure requirement.

To maintain compliance with FCC's RF exposure guidelines, the distance must be at least 0 cm between the radiator and your body, and fully supported by the operating and installation configurations of the transmitter and its antenna(s).

SIMPLIFIED EU DECLARATION OF CONFORMITY

Hereby, Modern Marketing Concepts Inc. dba Crosley Brands, declares that the radio equipment type is in compliance with Directive 2014/53/EU. The full text of the EU declaration of conformity is available at the following internet address:
<http://crosleybrands.com/euDoC>