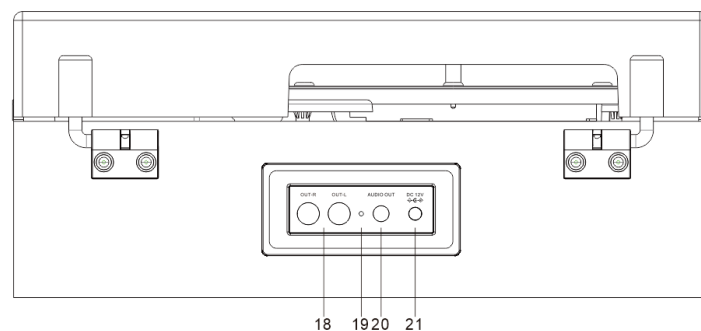
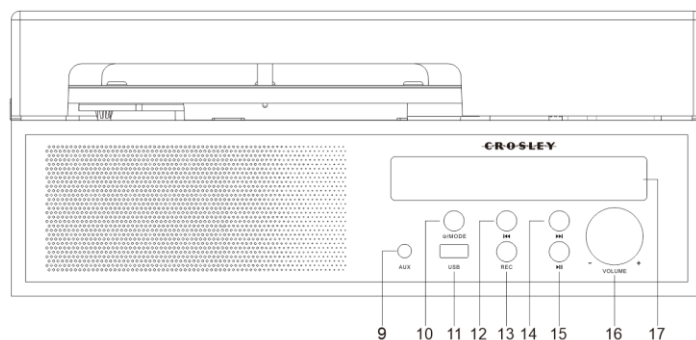
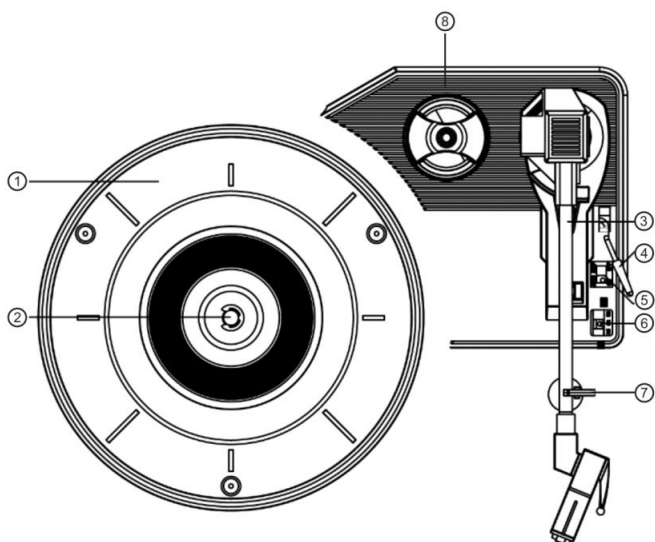


**CR7022A-BK**

**Vinyl Turntables with external Speaker**

**- USER MANUAL -**

## Product Description



1. Turntable Platter
2. Turutable Shaft
3. Tonearm
4. Tonearm Lever
5. Auto-stop Switch
6. Speed Switch
7. Hold Down Clip
8. 45 RPM Adaptor



9. AUX IN Jack
10. Power/Mode Button
11. USB Port
12. Previous Section/ Previous Station
13. Record Button
14. Next Section/Next Station
15. Play/Pause
16. Volume Knob
17. LED Display



18. Left/Right Speaker Jack
19. FM Antenna
20. Audio Output Jack
21. Power Input Jack

## General Operation

### Essential Setup

1. Connect the Left and Right speakers to OUT-L/OUT-R jacks at the back of the unit.
2. Place the speakers on a flat and level surface. The selected location should be stable and free from vibration.
3. Remove the tie-wrap that is holding the tonearm.
4. Plug the power cord to unit firstly and then plug the adaptor to wall power outlet.
5. Hold and press the “ /MODE” button to turn on the unit. And short press the “ /MODE” button to select the desired mode.

### Bluetooth In Operation

1. Press “ /MODE” key to change to Bluetooth pairing mode, the LED display will show “bt”.
2. Turn on the Bluetooth feature of your audio device, search for “CROSLEY CR7022A” and pair.
3. Once your device is successfully connected with the speakers, you will hear a short confirmation sound from the speakers.
4. Play and stream music from your device to the speakers. Hold and press the “Play/Pause” key to disconnect the Bluetooth connection.

### AUX IN Operation

Press “ /MODE” key to change to AUX IN mode, the LED display will show “AUX”. Connect one end of a 3.5 mm audio cable(not supplied) to speaker’s AUX INPUT jack, then connect the other end to the output jack of your audio device(such as Mobile phone/MP3 Player).

### Turntable Operation

1. Press “ /MODE” key to change to PHONO mode, the LED display will show “PHON”
2. Select the desired speed ( 33 1/3, 45, 78 ) and place the record on the platter.  
(Remark: When playing a 45 RPM record, please use the 45 RPM adapter.)
3. Remove the stylus protector from the stylus. Release the tone arm from the tone arm clip.
4. Use the tonearm lever to raise the tonearm. Move the tonearm gently to desired position over the record. Push the lift lever again to descend the tonearm slowly onto the desired position on the record to start playing.
5. When the record is finished playback, push the tonearm lever again to lift up the tonearm. And return the tonearm to the arm rest. Use the tonearm lever to descend the tonearm.

Remark:

-When the Auto stop switch is “ON”, the record will stop automatically when finished. When the Auto stop switch is “OFF”, the record will not stop automatically when finished.

-Do not touch the stylus tip by fingers.



### FM mode

When you switch the unit to the radio mode, you can listen to the FM radio program in this mode.

- 1.This radio antenna is on the back of the machine. When you need to listen to radio, please open the FM antenna.
- 2.In FM mode, hold and press the Play/Pause key on the unit to automatically search station. It will save the station once searching completed.
- 3.Press the “ ◀◀ ” or “ ▶▶ ” to select station.

### Bluetooth Out Operation

This function can transmit the record playing on the unit to external Bluetooth speaker/headphone by Bluetooth wireless connection.

1. Press “ /MODE” key to change to Bluetooth Out function, the LED display will show “bt-O” and flashing.
1. Turn on the external Bluetooth receiver device (i.e Bluetooth Speaker or Bluetooth Headphone) and entering the pairing mode.
2. The turntable unit and external Bluetooth receiver will connect automatically. This process can take up to approx. 30-45 seconds. (Remark: Place the Bluetooth receiver device within 1m of the unit to connect properly.)
3. Once turntable unit is successfully connected with the external Bluetooth speakers, you will hear a short confirmation sound from the speakers and the word “bt-O” in the display will be solid.
4. Select the desired speed ( 33 1/3, 45, 78 ) and place the record on the platter. The music will be heard from the external Bluetooth speaker/headphone.

Remark: “Bluetooth Out” only work with record playback. “Bluetooth Out” cannot work in Bluetooth IN/ Aux In/FM/ USB function.



### Record Operation

1. You can record the playing music from phono record is playing in the USB flash stick
2. Insert a USB flash stick to the USB port
3. Short press the REC key during the phono record is playing.
4. Short Press REC key again to stop the recording and replay the recorded track
5. To delete the recorded track, long press the REC key during it is playing

### Audio Out Operation

The audio Jacks output analog line-level signals and could be connected directly with a pair of active/powered speakers or the appropriate input of your stereo system.

Note:

1. The Audio Jacks are not designed to be connected directly to the passive/unpowered speakers. If connected to the passive speakers, the volume level will be very low.
2. If want to mute the unit, please hold and press the “▶▶” button to mute the unit or unplug the speakers from Out L/R jack.

## Trouble Shooting

Problem	Solution
There is no power	-Power cord is not properly connected. -No power at the power outlet.
There is no sound from the speakers	-The speaker jack is not properly connected.
The speakers could not be connected to my Bluetooth device	-The device's Bluetooth function is not turned on. -The speakers are actively connected to another Bluetooth device.
The turntable speaker stop before the record is finished.	-Adjust the Auto-stop switch to “OFF” position.
In “Bluetooth Out” function, the unit and bluetooth receiver do not connect successfully	-Turn the unit and bluetooth receiver off. Follow the pairing step again from the beginning. -Check whether the turntable unit connect with another bluetooth receiver.
The record function cannot work.	-Please make sure that the USB is plugged in if require to record. -USB is not properly inserted

NOTE: This equipment has been tested and found to comply with the limits for a Class B digital device, pursuant to part 15 of the FCC Rules. These limits are designed to provide reasonable protection against harmful interference in a residential installation. This equipment generates uses and can radiate radio frequency energy and, if not installed and used in accordance with the instructions, may cause harmful interference to radio communications. However, there is no guarantee that interference will not occur in a particular installation. If this equipment does cause harmful interference to radio or television reception, which can be determined by turning the equipment off and on, the user is encouraged to try to correct the interference by one or more of the following measures:

- Reorient or relocate the receiving antenna.
- Increase the separation between the equipment and receiver.
- Connect the equipment into an outlet on a circuit different from that to which the receiver is connected.
- Consult the dealer or an experienced radio/TV technician for help

Changes or modifications not expressly approved by the party responsible for compliance could

void the user's authority to operate the equipment.

This device complies with Part 15 of the FCC Rules. Operation is subject to the following two

conditions:

(1) this device may not cause harmful interference, and

(2) this device must accept any interference received, including interference that may cause undesired operation.