



- USER MANUAL -

Item in this package

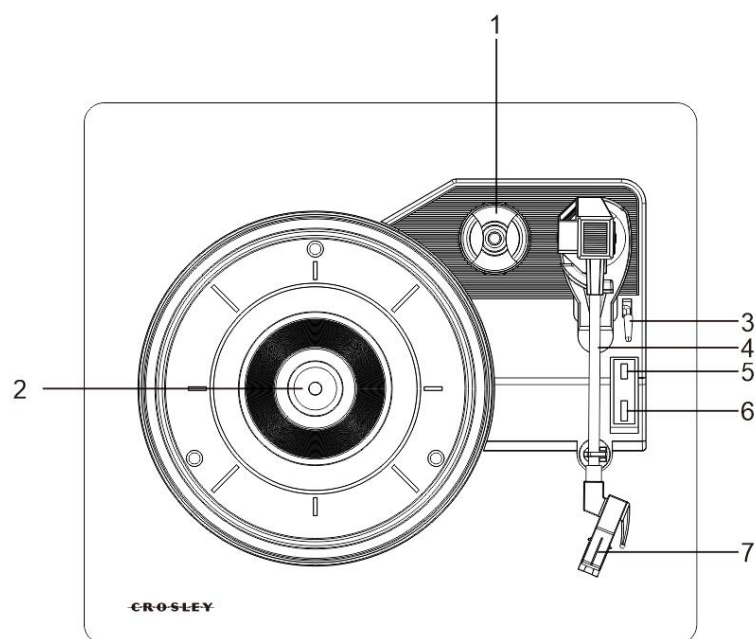
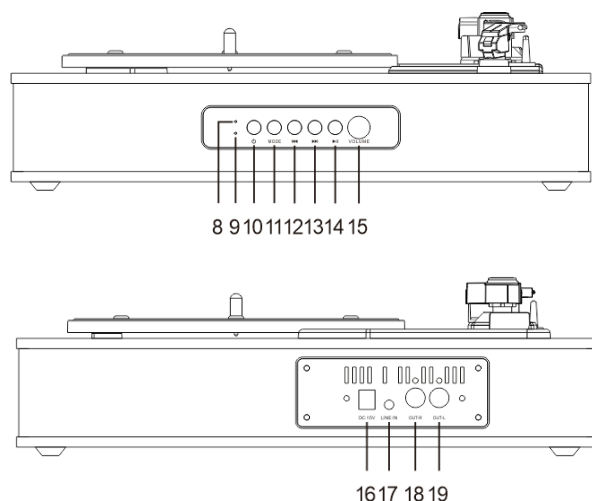
Before throwing away any packaging materials, please check thoroughly and make sure you find the following items that come along with this package:

- Turntable
- 45 RPM adapter(attach on the turntable)
- Power adaptor
- Audio cable

Specifications

Power	DC 15V 3 A
Power consumption	45 W
Output Power	50 W
Turntable speed	33 $\frac{1}{3}$, 45, 78 RPM

Product Description



- 8. Mode LED Indicator
- 9. Power LED Indicator
- 10. Power Key
- 11. Mode Key

- 16. Power Supply
- 17. LINE IN Port
- 18. Speaker Right Jack
- 19. Speaker Left Jack

1. 45 RPM Adapter
2. Turntable Platter
3. Tonearm Lever
4. Tonearm
5. Auto-stop Switch
6. Speed Switch
7. Needles

General Operation

Essential Setup

1. Place the speakers on a flat and level surface. The selected location should be stable and free from vibration.
2. Connect the external speaker cable from the speakers to the main unit's L/R jack.
3. Plug the power cord to unit firstly and then plug the adapter to wall power outlet.
4. Press the Power button on the unit to the turn on and off.

BLUETOOTH MODE

1. Press the Mode button to select the Bluetooth mode, the mode indicator will be blue and flashing.
2. Turn on the Bluetooth feature of your audio device, search for "CROSLEY CR7020A" and pair.
3. Once your device is successfully connected with the speakers, you will hear a short confirmation sound from the speakers and function indicator will be solid blue.
4. Play and stream music from your device to the speakers.

FM MODE

When you switch the unit to the Radio Mode, the mode indicator will be a solid green. You can listen to the FM radio program in this mode.

1. In FM mode, press the PLAY/PAUSE key on the unit to automatically search station. It will save the station once searching completed.
2. Press the « or » on the unit to select station.

Turntable Operation

1. Switch the unit to the phono mode. The mode indicator will be green and flash.
2. Select the desired speed (33 $\frac{1}{3}$, 45, 78) and place the record on the platter.
(Remark: When playing a 45 RPM record, please use the 45 RPM adapter.)
3. Remove the stylus protector from the stylus. Release the tone arm from the tone arm clip.
4. Use the tonearm lever to raise the tonearm. Move the tonearm gently to desired position over the record. Push the lift lever again to descend the tonearm slowly onto the desired position on the record to start playing.
5. When the record is finished playback, push the tonearm lever again to lift up the tonearm. And return the tonearm to the arm rest. Use the tonearm lever to descend the tonearm.

Remark:

1. When the Auto stop switch is "ON", the record will stop automatically when finished. When the Auto stop switch is "OFF", the record will not stop automatically when finished.
2. Do not touch the stylus tip by fingers.

AUX IN

Switch to AUX mode, the mode indicator will be cyan. Connect one end of a 3.5 mm audio cable to speaker's AUX INPUT jack, then connect the other end to the output jack of your audio device (such as Mobile phone/MP3 Player).

Trouble Shooting

Problem	Solution
There is no power	-Power cord is not properly connected. -No power at the power outlet.
There is no sound from the speakers	-The speaker jack is not properly connected.
The speakers could not be connected to my Bluetooth device	-The device's Bluetooth function is not turned on. -The speakers are actively connected to another Bluetooth device.
The turntable speaker stop before the record is finished.	-Adjust the Auto-stop switch to "OFF" position.

NOTE: This equipment has been tested and found to comply with the limits for a Class B digital device, pursuant to part 15 of the FCC Rules. These limits are designed to provide reasonable protection against harmful interference in a residential installation. This equipment generates uses and can radiate radio frequency energy and, if not installed and used in accordance with the instructions, may cause harmful interference to radio communications. However, there is no guarantee that interference will not occur in a particular installation. If this equipment does cause harmful interference to radio or television reception, which can be determined by turning the equipment off and on, the user is encouraged to try to correct the interference by one or more of the following measures:

- Reorient or relocate the receiving antenna.
- Increase the separation between the equipment and receiver.
- Connect the equipment into an outlet on a circuit different from that to which the receiver is connected.
- Consult the dealer or an experienced radio/TV technician for help

Changes or modifications not expressly approved by the party responsible for compliance could void the user's authority to operate the equipment.

This device complies with Part 15 of the FCC Rules. Operation is subject to the following two conditions:

- (1) this device may not cause harmful interference, and
- (2) this device must accept any interference received, including interference that may cause undesired operation.