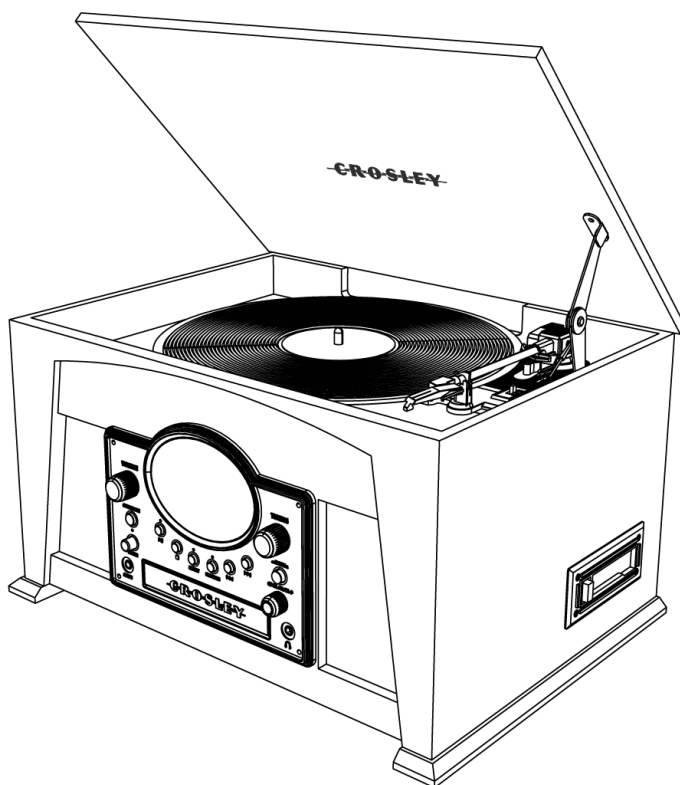




CR7015A
Medley Entertainment Center
Instruction Manual



Questions, problems, missing parts?
Before returning to the store, call Customer Service
8 a.m. – 6 p.m., EST, Monday – Friday
1-888-CROSLEY
www.crosleyradio.com

Safety Instructions

Read and understand this entire manual before using this product. Keep these instructions for future reference.

1. Do not use this product near water.
2. This product should be operated only by the type of power source indicated on the marking label or in this instruction manual.
3. Do not defeat the safety purpose of the polarized plug. A polarized plug has two blades with one blade wider than the other. This plug will fit into the power outlet only one way. If you are unable to insert the plug fully into the outlet try reversing the plug. If the plug should still fail to fit, contact your electrician.
4. Protect the power cord from being walked on or pinched particularly at plugs, convenience receptacles, and the point where they exit from the product.
5. Do not overload wall outlets, extension cords, or integral convenience receptacles as this can result in a risk of fire or electric shock.
6. Never push objects of any kind into this product through openings as they may touch dangerous voltage points or short-out parts that could result in a fire or electric shock. Never spill liquid of any kind on the product.
7. Do not attempt to service this product yourself as opening or removing covers may expose you to dangerous voltage or other hazards. Refer all servicing to qualified service personnel.
8. Changes or modifications to this unit not expressly approved by the party responsible for compliance could void the user's authority to operate the equipment.
9. Do not use attachments not recommended by the product manufacturer as they may cause hazards.
10. A product and cart combination should be moved with care. Quick stops, excessive force, and uneven surfaces may cause the product and cart combination to overturn.
11. Slots and openings in the cabinet are provided for ventilation and to ensure reliable operation of the product and to protect it from overheating. Do not block or cover these openings.
12. Unplug the product during lightning storms or when unused for long periods of time.

Items in this package

Before throwing away any packaging materials, please check thoroughly and make sure you find the following items that come along with this package:

- Turntable
- 45 RPM adapter
- 3.5mm aux in cable

Please contact Crosley customer service if there is any accessory missing from the package. **Retain the original packaging materials for exchange or return purposes.**

Specifications

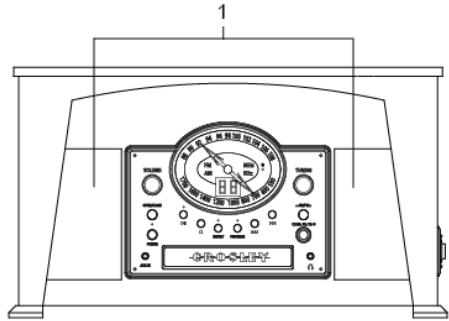
Power	120V, 60Hz
Power consumption	18W
Speaker	3.5", 8Ω, 5W x 2
Turntable speed	33 ¹ / ₃ , 45, 78 RPM
Replacement needle	Crosley NP6

Note:

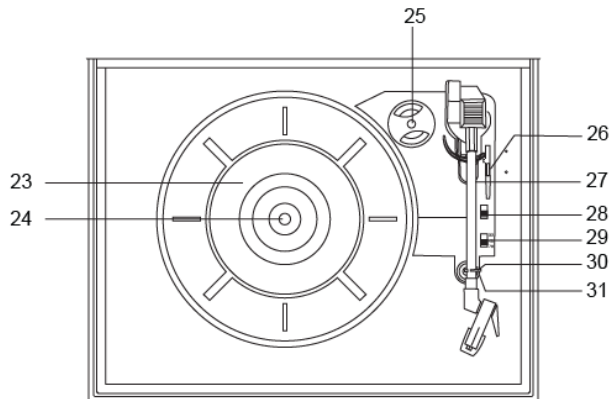
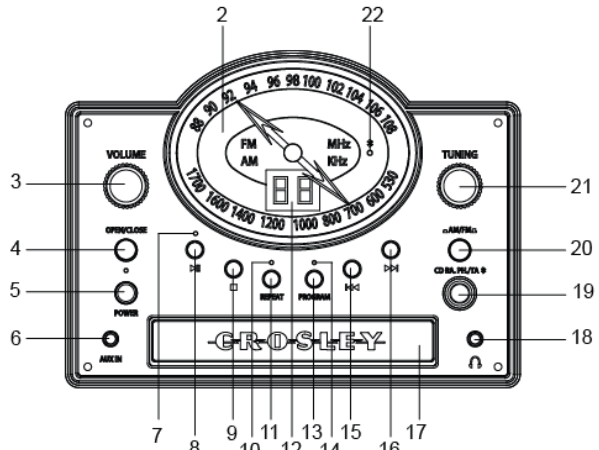
- Design and specifications are subject to change without notice.
- **To help save power consumption, some models will comply with ERP energy saving standard. When there is no audio input for 20 minutes, their powers will automatically cut-off. To turn power back on and resume playing, you will need to turn off the power and turn it on again.**

Product Description

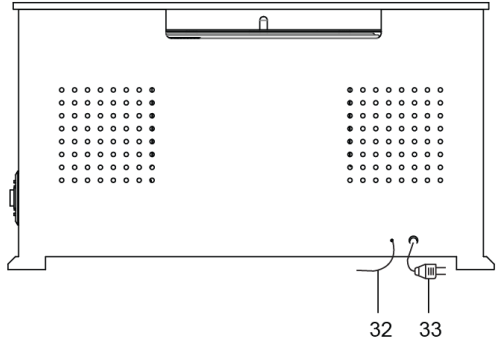
1. Speakers
2. Dial Scale
3. Volume Knob
4. CD Door Open/Close Button
5. Power Button
6. Aux In Jack
7. Play Indicator
8. Play/Pause Button
9. Stop Button



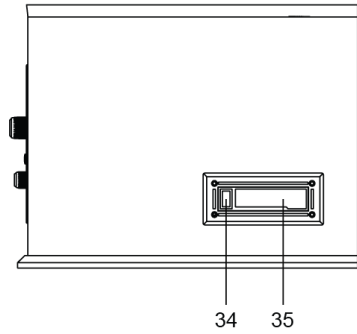
10. Repeat Indicator
11. Repeat Button
12. LED Display
13. Program Button
14. Program Indicator
15. Backward Skip Button
16. Forward Skip Button
17. CD Tray
18. Headphone Jack
19. Function Knob
20. AM/FM Button
21. Tuning Knob
22. Bluetooth Indicator
23. Turntable Platter
24. Turntable Spindle
25. 45 RPM Adapter
26. Tonearm Lever
27. Tonearm
28. Auto-stop Switch
29. Speed Switch
30. Hold Down Clip
31. Tonearm Rest



- 32. External Antenna**
- 33. Power Cord Plug**



- 34. Cassette Eject/Fast Forward Button**
- 35. Cassette Door**



Initial Setup

Essential Setup

1. Place the unit on a flat and level surface. The selected location should be stable and free from vibration.
2. Remove the tie-wrap that is holding the tonearm.
3. Plug the power cord to the power outlet.

Aux Input Connection

You can connect an audio device to this unit and play your music through its speakers. To do this, connect the 3.5mm auxiliary cable between your audio device and the Aux In Jack of this unit and start playing the music.

Note: The aux in connection has the highest priority of all the functions. When there is an auxiliary cable plugged in, the aux in connection will automatically override the Bluetooth, turntable, CD, radio or cassette mode. To resume using the other features of the unit, unplug the auxiliary cable from the aux in jack.

Bluetooth Operation

1. Set the Function Knob to the Bluetooth position, you will hear an activation sound from the unit.
2. Turn on the Bluetooth feature of your audio device, search for “CROSLEY CR7015A” and pair.
3. Once your device is successfully paired with the unit, you will hear a short confirmation sound from the unit.
4. Play and stream music from your device to the unit.

Note:

- *Bluetooth version – 5.0*

Turntable Operation

1. Press the Power Button to turn on the power.
2. Set the Function Knob to the TAPE/PHONO position.
Note: If a tape is inserted the tape will play instead of the turntable.
3. Set the Speed Switch accordingly.
4. Place the record on the turntable. Use the 45 RPM Adapter if necessary.
5. Remove the stylus protector from the stylus assembly.
Note: To avoid stylus damage, make certain the included stylus guard is in place whenever the turntable is being moved or cleaned.
6. Release the tonearm Hold Down Clip.
Note: When the turntable is not in use, remember to lock back the hold down clip.
7. Use the Tonearm Lever to lift up the tonearm.
8. Gently move the tonearm over the record where play is desired to begin. Set the Tonearm Lever back to the down position, the tonearm will descend slowly onto the record and begin to playback.
9. When the record is finished playing, use the Tonearm Lever again to raise the tonearm and then return it to the Tonearm Rest. Release the lever to let the tonearm sit back at its rest. To suspend the playback, repeat the same steps.
10. Lock the Hold Down Clip to secure the tonearm.

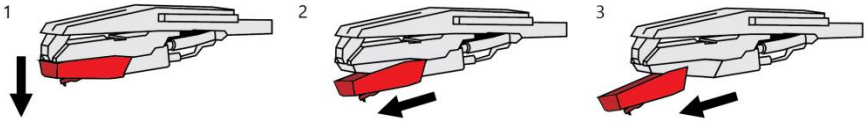
Platter Auto-stop

If the Auto-stop Switch is set to the ON position, the platter will stop spinning automatically when the record plays to the end. In some rare occasion, if the turntable stops playing before the end of the record, set the switch to the OFF position the turntable should overcome this issue.

Needle Replacement

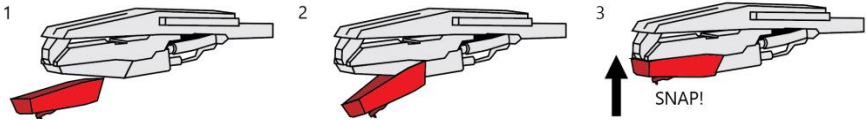
Removing Needle

1. Gently pull down the front edge of the needle.
2. Pull needle forward.
3. Pull out and remove.



Installing Needle

1. Position the needle with its tip facing down.
2. Line up the back of the needle with the cartridge.
3. Insert the needle with its front end at a downward angle and gently lift the front of the needle upward until it snaps into place.



Radio Operation

1. Set the Function Knob to the RADIO position, press the AM/FM Button to set the desired radio band.
2. Rotate the Tuning Knob for the desired radio station.

Note:

- The unit is equipped with a FM wire antenna. To FM improve reception, move the wire around until the reception is clear without interferences. Do not connect the wire to any additional antenna.
- The AM antenna is built inside the unit. If AM reception is poor, try to rotate the unit for better reception.

CD Playback Operation

1. Set the Function Knob to the CD position.
2. Press the Open/Close button to open the CD tray and put the CD in the tray with the labeled side facing up.
3. Press the Open/Close button again to close the tray. The LED display will show "--" for a few seconds, then the total number of tracks on the CD. If it is a blank CD or an unrecognizable CD, it will show "00".
Note: MP3 or similar types of digital audio files cannot be read by the CD player.
4. Press the Play/Pause button to start the playback. The Play Indicator will light up.
5. During the playback, press the Play/Pause button to pause and the Play Indicator will start flashing. Press it again to resume playback.
6. To skip to the next or previous track, press the Forward Skip or Backward Skip button correspondingly.
7. To search fast forward or backward, press and hold the Forward Skip or Backward Skip button correspondingly until you reach the desired time. Release the button and the playback will resume.
8. Press the Stop button if you want to completely stop playback.

Programmed Playback

1. Before starting the playback, press the Program button once to enter program mode. The Program Indicator will start flashing. The LED display will flash "01" as the track sequence which is to be edited.
2. Press the Forward Skip or Backward Skip buttons to select the desired track that you would like to play. The LED's number will turn steady instead of flashing, showing the sound track number at selection.
3. Press the Program button to confirm the selected track. The LED's number will start flashing again showing the next track sequence which is to be edited.
4. Repeat steps 2 & 3 for additional sound tracks that you would like to play. The tracks can be in any number and repeated. A maximum of 20 tracks can be programmed at one time.
5. Press the Play/Pause button to start the programmed playback. The tracks will play in the same sequence that you programmed earlier.
6. To exit the program mode, press the Stop button twice and the Program Indicator will be off.

Cassette Operation

1. Set the Function Knob to TAPE/PHONO position.
2. Insert the prerecorded cassette through the cassette door and it will start playing automatically.
3. To fast forward, press the cassette Eject/F.F button half way in. To stop fast forwarding and return to the playback mode, press the button again.
4. To stop the playback and eject the cassette, press the Eject/F.F. button all the way in.
5. When one side of the cassette finishes playing, it will stop automatically.

Note: To rewind the cassette, you would need to reject the tape and flip it over for the other side and fast forward.

Note: Remove the cassette from the cassette holder when it is not in use.

Turntable Maintenance

1. Do not touch the stylus tip with your fingers. Avoid bumping the stylus on the turntable mat or a record's edge.
2. Clean the stylus frequently with a soft brush with a back-to-front motion only.
3. Clean the records to get rid of dust or grease with a record cleaning brush and record cleaning solution.
4. Clean the turntable lid and turntable cabinet with a slightly damped microfiber cloth.

Note: Do not use a cleanser that contains alcohol, benzene, or any other harsh chemicals, which might damage the paint and finish of the turntable.

**** Crosley offers a product line of different cleaning accessories. Please ask your retailer or check out our website www.crosleyradio.com for more cleaning product information.**

Troubleshooting

There is no power

- No power at the power outlet.
- To help save power consumption, some models will comply with the ERP energy saving standard. When there is no audio input for 20 minutes, the power will automatically cut-off. To turn power back on and resume playing, turn off the main power switch and turn it on again.

Power is on, but the platter does not turn

- Turntable mode is not selected.
- Turntable's drive belt has slipped off.
- An aux in cable is plugged into the aux in jack, unplug it.

Turntable is spinning, but there is no sound, or sound not loud enough

- Stylus protector is still on.
- Tone arm is lifted up by the lever.

CD does not play

- Function mode is not set to CD.
- The CD is blank.
- The CD is placed on the tray incorrectly with the label side facing down.
- The CD has unsupported digital audio files like MP3 and similar types of format.
- The CD has too many scratches or is dirty.

Cannot pause the cassette

- The feature is not available and you have to stop the cassette completely.

FCC Statements

NOTE: This equipment has been tested and found to comply with the limits for a Class B digital device, pursuant to part 15 of the FCC Rules. These limits are designed to provide reasonable protection against harmful interference in a residential installation. This equipment generates uses and can radiate radio frequency energy and, if not installed and used in accordance with the instructions, may cause harmful interference to radio communications. However, there is no guarantee that interference will not occur in a particular installation. If this equipment does cause harmful interference to radio or television reception, which can be determined by turning the equipment off and on, the user is encouraged to try to correct the interference by one or more of the following measures:

- Reorient or relocate the receiving antenna.
- Increase the separation between the equipment and receiver.
- Connect the equipment into an outlet on a circuit different from that to which the receiver is connected.
- Consult the dealer or an experienced radio/TV technician for help
- Changes or modifications not expressly approved by the party responsible for compliance could void the user's authority to operate the equipment.

This device complies with Part 15 of the FCC Rules. Operation is subject to the following two conditions:

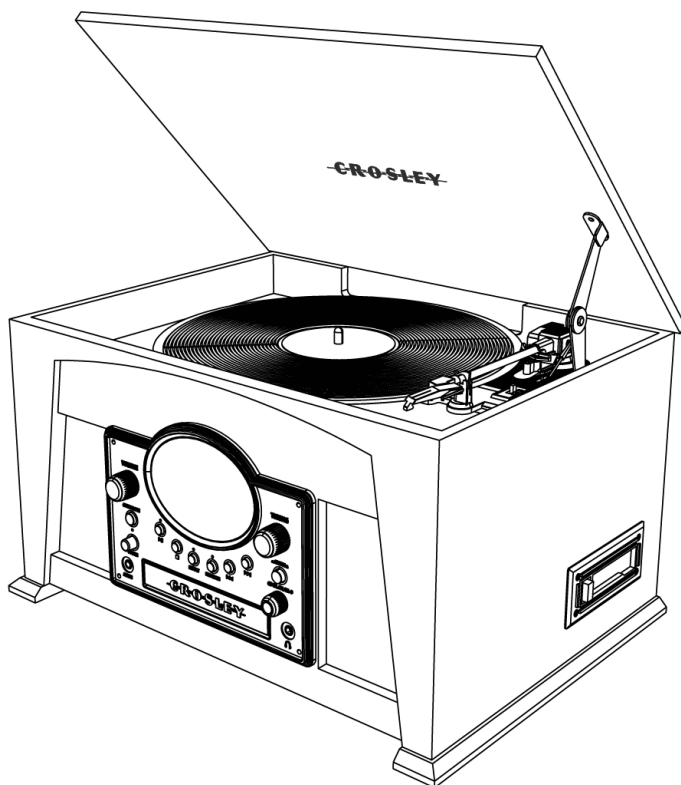
1. this device may not cause harmful interference, and
2. this device must accept any interference received, including interference that may cause undesired operation.



CR7015A

Centro de entretenimiento Medley

Manual de instrucciones



¿Tiene preguntas, ha tenido problemas o hay piezas faltantes?

Antes de devolver el producto a la tienda, comuníquese con nuestro Servicio al Cliente de 8 a. m. a 6 p. m., hora del este, de lunes a viernes

1-888-CROSLEY

www.crosleyradio.com

Instrucciones de seguridad

Lea y comprenda este manual en su totalidad antes de usar este producto. Conserve estas instrucciones para consultarlas en el futuro.

1. No use este producto cerca del agua.
2. Este producto debe ser utilizado solo con el tipo de fuente de alimentación indicado en la etiqueta o en este manual de instrucciones.
3. No subestime el propósito de seguridad del enchufe polarizado. Un enchufe polarizado posee dos hojas; una de ellas es más ancha que la otra. Este enchufe encajará en el tomacorriente en un solo sentido. Si no logra insertar completamente el enchufe en el tomacorriente, pruebe invirtiendo el enchufe. Si aún así el enchufe no encaja, comuníquese con su electricista.
4. Proteja el cable de alimentación de ser pisado o pinzado, en especial en los enchufes, los tomacorrientes y en el punto donde el cable sale del producto.
5. No sobrecargue los tomacorrientes de pared, cables de alargue, o receptáculos integrales, ya que puede generar un riesgo de incendio o descarga eléctrica.
6. No introduzca objetos de ningún tipo en el producto a través de las ranuras, ya que pueden hacer contacto con puntos de alto voltaje o provocar un cortocircuito que ocasione fuego o una descarga eléctrica. No derrame líquidos de ningún tipo sobre el producto.
7. No intente realizar tareas de mantenimiento por su cuenta, ya que abrir o remover la cubierta puede exponerlo a un voltaje peligroso y a otros riesgos. Deje toda tarea de mantenimiento en manos de un técnico de servicio calificado.
8. Los cambios o las modificaciones que no tengan la aprobación expresa de la parte responsable del cumplimiento pueden anular el permiso del usuario para utilizar el equipo.
9. No utilice accesorios que no son recomendados por los fabricantes del producto porque pueden ser peligrosos.
10. Cualquier combinación de carro y producto debe moverse con cuidado. Las paradas súbitas, el uso de fuerza excesiva y las superficies irregulares pueden causar que el producto y el carro se vuelquen.
11. Las ranuras de ventilación y las aberturas del gabinete son provistas para la ventilación y para asegurar el correcto funcionamiento del producto y evitar el recalentamiento. No bloquee ni cubra estas aberturas.
12. Desconecte el producto durante las tormentas eléctricas o cuando no se utilice durante períodos extendidos.

Artículos en este empaque

Antes de deshacerse de cualquier material del empaque, revíselo con atención y asegúrese de encontrar los siguientes artículos que se incluyen en este paquete:

- Tocabiscos
- Adaptador de 45 rpm
- Cable de entrada de 3.5 mm

Comuníquese con el Servicio al Cliente de Crosley en caso de que faltara algún accesorio en el empaque. Conserve **el material de embalaje original para realizar cambios o devoluciones.**

Especificaciones

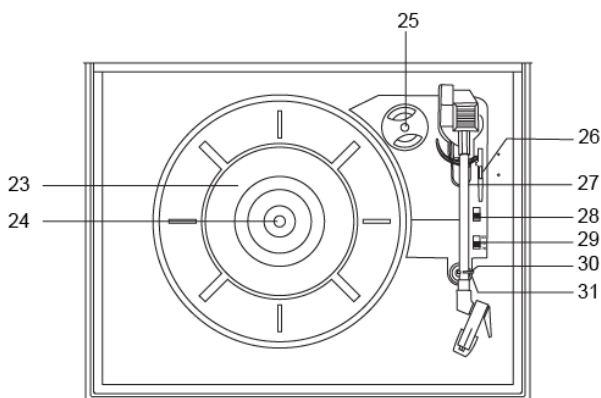
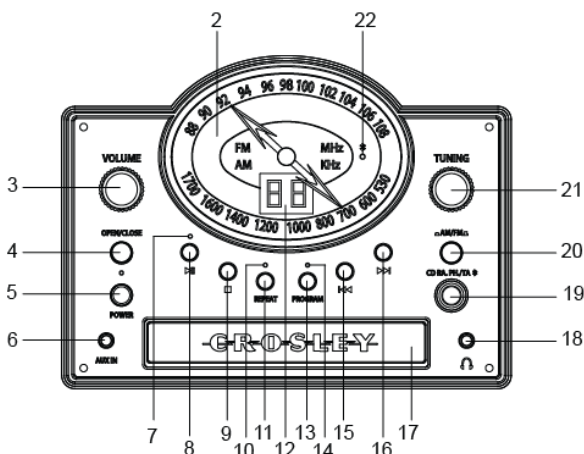
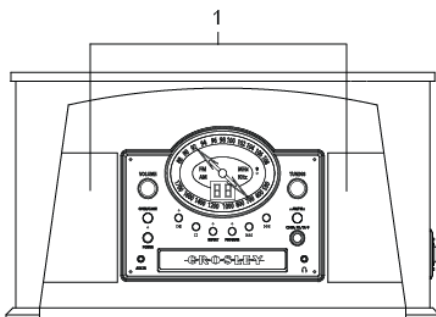
Fuente de energía	120V, 60Hz
Consumo de energía	18 W
Potencia del altavoz	3.5", 8Ω, 5W x 2
Altavoz	33 ¹ / ₃ , 45, 78 RPM
Aguja de repuesto	Crosley NP6

Nota:

- *El diseño y las especificaciones están sujetos a cambios sin previo aviso.*
- **Con el fin de ahorrar en el consumo de energía, algunos modelos cumplirán con el estándar de ahorro de energía ERP (productos relacionados con la energía). En el caso de que no se produzca la entrada de audio durante 20 minutos, estos equipos se desactivarán automáticamente. Para volver a encenderlos y reanudar la reproducción, deberá apagar la unidad primero y luego volver a encenderla.**

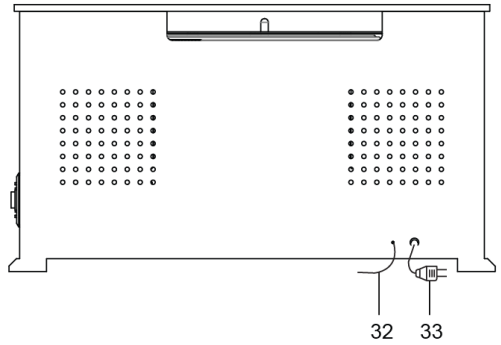
Descripción del producto

1. Altavoces
2. Indicador de estaciones
3. Perilla de volume
4. Botón de apertura/cierre de la puerta para CD
5. Botón de encendido
6. Conector de entrada auxiliar
7. Indicador de reproducción
8. Botón de reproducción/pausa
9. Botón de detención
10. Indicador de repetición
11. Botón de repetición
12. Pantalla LED
13. Botón de programa
14. Indicador de programación
15. Botón de salto hacia atrás
16. Botón de salto hacia delante
17. Bandeja para CD
18. Conector de auriculares
19. Perilla de funciones
20. Botón AM/FM
21. Perilla de sintonización
22. Indicador de Bluetooth
23. Bandeja del tocadiscos
24. Eje del tocadiscos
25. Adaptador de 45 rpm
26. Palanca del brazo
27. Brazo del tocadiscos
28. Interruptor de detención automática
29. Interruptor de velocidad
30. Broche de sujeción
31. Soporte del brazo del tocadiscos



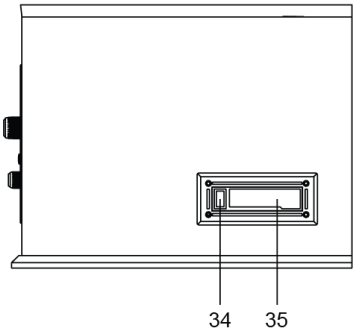
32. Antena externa

33. Enchufe del cable eléctrico



34. Botón expulsar casete/avance rápido

35. Puerta para casete



Instalación inicial

Instalación indispensable

1. Coloque la unidad en una superficie plana y nivelada. El lugar seleccionado debe ser estable y estar libre de vibraciones.
2. Quite la banda de sujeción que sostiene el brazo del tocadiscos.
3. Enchufe el cable de alimentación en un tomacorriente.

Conexión de entrada auxiliar

Puede conectar un dispositivo de audio a esta unidad y reproducir su música a través de los parlantes. Para hacerlo, conecte el cable auxiliar de 3.5 mm entre su dispositivo de audio y el Conector de entrada auxiliar de esta unidad y comience a reproducir la música.

Nota: la conexión de entrada auxiliar tiene la mayor prioridad entre todas las funciones. Cuando un cable auxiliar está enchufado, la conexión de entrada auxiliar invalidará automáticamente el modo Bluetooth, tocadiscos, CD, radio o casete. Para volver a utilizar las otras funciones de la unidad, desconecte el cable auxiliar del conector de entrada auxiliar.

Funcionamiento de Bluetooth

1. Coloque el perilla de funciones en modo Bluetooth X . La unidad emitirá un sonido de activación.
2. Active la conexión de Bluetooth en el dispositivo de audio, busque “CROSLEY CR7015A” y conéctelo.
3. Una vez que el dispositivo quede conectado correctamente, la unidad emitirá un sonido corto de confirmación.
4. Reproduzca música en forma inalámbrica desde el dispositivo hacia la unidad.

Nota:

- Versión de Bluetooth – 5.0

Funcionamiento del tocadiscos

1. Para prender la unidad, presione el botón de encendido.
2. Coloque el perilla de funciones en la posición TAPE/PHONO.
Nota: Si se inserta un casete, el casete se reproducirá en lugar de la plataforma giratoria.
3. Ajuste el Interruptor de velocidad según corresponda.
4. Coloque el disco en el tocadiscos. De ser necesario, utilice el Adaptador de 45 rpm.
5. Quite el protector de la aguja fonográfica de su ensamblaje.
Nota: Para evitar los daños de la aguja fonográfica, asegúrese de que el protector esté ubicado correctamente cada vez que mueva o limpie el tocadiscos.
6. Suelte el Broche de sujeción del tocadiscos.
Nota: Cuando el tocadiscos no se utilice, recuerde volver a trabar el broche de sujeción.
7. Use la Palanca del brazo del tocadiscos para levantar el brazo.
8. Mueva suavemente el brazo del tocadiscos sobre el disco en la parte que desea comenzar a reproducir. Ajuste la Palanca del brazo del tocadiscos de vuelta a la posición hacia abajo. El brazo bajará lentamente hacia el disco y se comenzará a reproducir.
9. Cuando el disco termine de reproducirse, utilice la Palanca del brazo del tocadiscos una vez más para levantar el brazo y volver a colocarlo en el Soporte del brazo. Suelte la palanca para permitir que el brazo vuelva a apoyarse sobre su soporte. Para suspender la reproducción, siga los mismos pasos.
10. Trabe el Broche del brazo del tocadiscos para asegurarlo.

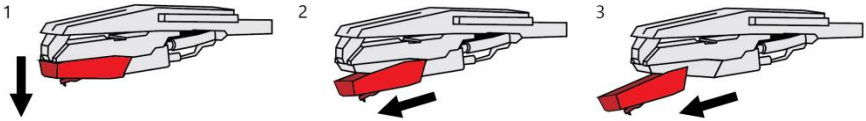
Detención automática de la bandeja

Si el Interruptor de detención automática se encuentra en la posición ENCENDIDO, la bandeja dejará de girar automáticamente cuando el disco termine de reproducirse. En raras ocasiones, si el tocadiscos deja de reproducir el disco antes de que termine, ajuste el interruptor a la posición APAGADO. El problema se debería solucionar de esta manera.

Reemplazo de la aguja

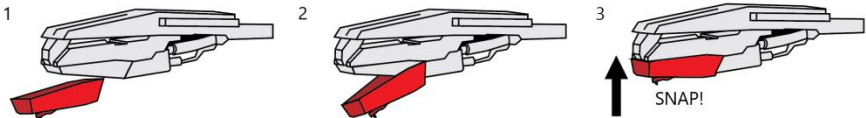
Quitar la aguja

1. Tire del borde delantero de la aguja con suavidad.
2. Tire la aguja hacia adelante.
3. Tire hacia fuera y quítela.



Instalar la aguja

1. Coloque la aguja de manera tal que la punta quede hacia abajo.
2. Alinee la parte trasera de la aguja con la cápsula.
3. Introduzca la aguja con el extremo delantero en un ángulo descendente y suavemente levante la parte delantera de la aguja hacia arriba hasta que se traben en su lugar.



Funcionamiento de la radio

1. Ajuste el perilla de funciones a la posición RADIO, presione el Botón AM/FM para elegir la banda deseada. .
2. Gire la Perilla de sintonización para elegir la estación de radio deseada.

Nota:

- *En la unidad se incluye una antena de hilo FM. Para mejorar la recepción FM, mueva el hilo hasta que la recepción sea clara y sin interferencias. No conecte el hilo a ninguna antena adicional.*
- *La antena AM está incorporada dentro de la unidad. Si la recepción AM no fuera buena, intente girar la unidad para lograr una mejor recepción.*

Funcionamiento de la reproducción de CD

1. Ajuste el perilla de funciones a la posición CD.
2. Presione el botón Apertura/cierre para abrir la bandeja para CD y colocar el CD en la bandeja con el lado de la etiqueta hacia arriba.
3. Vuelva a presionar el botón de Apertura/cierre para cerrar la bandeja. La pantalla LED mostrará "--" durante unos pocos segundos y luego mostrará el número total de pistas en el CD. Si se trata de un CD vacío o un CD irreconocible, la pantalla mostrará "00".

Nota: El reproductor de CD no puede leer archivos de audio digitales MP3 o de tipos similares.

4. Presione el Botón de Reproducción/pausa para iniciar la reproducción. Se encenderá el Indicador de reproducción.
5. Durante la reproducción, presione el botón de Reproducción/pausa para pausar y el Indicador de reproducción comenzará a parpadear. Vuelva a presionarlo para reanudar la reproducción.
6. Para saltar a la pista siguiente o a la anterior, presione el botón de Salto hacia delante o el botón de Salto hacia atrás, según corresponda.
7. Para avanzar o retroceder en una pista, presione y mantenga el botón de Salto hacia delante o el botón de Salto hacia atrás según corresponda hasta que llegue al tiempo deseado. Suelte el botón y se reanudará la reproducción.
8. Presione el botón de Detención si desea detener la reproducción por completo.

Reproducción programada

1. Antes de comenzar la reproducción, presione el botón de Programación una vez para ingresar al modo programación. El Indicador de programación comenzará a parpadear. La pantalla LED mostrará "01" como la secuencia de pista que se editará.
2. Presione el botón de Salto hacia delante o el botón de Salto hacia atrás para seleccionar la pista que desea reproducir. El número en la pantalla LED permanecerá en la pantalla y no parpadeará. Se mostrará el número de pista en la selección.
3. Presione el botón de Programación para confirmar la pista seleccionada. El número en la pantalla LED comenzará a parpadear otra vez, lo que mostrará la siguiente secuencia de pista que será editada.
4. Repita los pasos 2 y 3 para reproducir las pistas adicionales que desee. Las pistas pueden estar repetidas y ser de cualquier cantidad. Es posible programar un máximo de 20 pistas cada vez.
5. Presione el botón de Reproducción/pausa para iniciar la reproducción programada. Las pistas se reproducirán en la misma secuencia que usted programó anteriormente.
6. Para salir del modo programación, presione el botón de Detención dos veces y el Indicador de programación se apagará.

Funcionamiento del casete

1. Ajuste el perilla de funciones a la posición TAPE/PHONO.
2. Introduzca el casete pregrabado a través de la puerta para casetes y comenzará a reproducirse automáticamente.
3. Para el avance rápido, presione el botón Expulsar casete/Avance rápido hasta la mitad. Para detener el avance rápido y volver al modo de reproducción, presione el botón una vez más.

Nota: Para rebobinar el casete, deberá rechazar la cinta, voltearla al otro lado y avanzar rápidamente.

4. Para detener la reproducción y expulsar el casete, presione el botón Expulsar/Avance rápido hasta el fondo.
5. Cuando un lado del casete termine de reproducirse, se detendrá automáticamente.

Nota: Quite el casete del soporte cuando no esté en uso.

Mantenimiento del tocadiscos

1. No toque la punta de la aguja fonográfica con los dedos. Evite golpear la aguja fonográfica con el cobertor para el tocadiscos o con el borde del disco.
2. Limpie la aguja fonográfica con frecuencia con un cepillo suave mediante movimientos de atrás hacia adelante.
3. Limpie los discos para quitarles el polvo o la grasa con un cepillo para limpiar discos y con una solución de limpieza para discos.
4. Limpie la tapa del tocadiscos y el gabinete con un paño de microfibras ligeramente humedecido.

Nota: No utilice otros limpiadores que contengan alcohol, benceno o cualquier otro químico agresivo que pueda dañar la pintura y la terminación del tocadiscos.

**** Crosley ofrece una línea de productos de distintos accesorios de limpieza. Para obtener más información acerca de los productos de limpieza, consulte a un comerciante o visite nuestro sitio web www.crosleyradio.com.**

Solución de problemas

La unidad no enciende.

- El transformador no está conectado correctamente.
- Con el fin de ahorrar en el consumo de energía, algunos modelos cumplirán con el estándar de ahorro de energía ERP (productos relacionados con la energía). En el caso de que no se produzca la entrada de audio durante 20 minutos, estos equipos se desactivarán automáticamente. Para volver a encender la unidad y reanudar la reproducción, apáguela y vuelva a encenderla.

El equipo está encendido pero la bandeja no gira.

- El modo tocadiscos no está seleccionado.
- Se ha salido la correa de transmisión del tocadiscos.
- Un cable de entrada auxiliar está conectado en el conector de entrada auxiliar. Desconéctelo.

El tocadiscos gira pero no emite sonidos o los sonidos no son lo suficientemente fuertes.

- El protector de la aguja fonográfica aún está colocado.
- La palanca levanta el brazo del tocadiscos.

El CD no reproduce sonido.

- El modo función no está configurado en CD.
- El CD está vacío.
- El CD está colocado en la bandeja de manera incorrecta, con el lado de la etiqueta hacia abajo.
- El CD contiene archivos de audio digitales no admitidos, como MP3 o tipos de formato similares.
- El CD está demasiado rayado o sucio.

No se puede pausar el casete.

- La característica no está disponible. Debe detener el casete por completo.

Declaraciones de la FCC

NOTA: Este equipo se verificó y se comprobó que cumple con los límites para un dispositivo digital clase B, conforme a la Sección 15 de las reglas de la Comisión Federal de Comunicaciones (FCC). Estos límites están diseñados para brindar una protección razonable frente a interferencia perjudicial en un establecimiento residencial. Este equipo genera, usa y puede irradiar energía de radiofrecuencia y, si no se instala y utiliza siguiendo las instrucciones, puede causar interferencia perjudicial a las radiocomunicaciones. Sin embargo, no existe garantía de que la interferencia no ocurrirá en una instalación en particular. Si este equipo causa interferencia perjudicial a las radiocomunicaciones o a la recepción televisiva, lo que se puede determinar al encender y apagar el equipo, se recomienda que el usuario intente corregir la interferencia mediante una o más de las siguientes medidas:

- Orientar o reubicar la antena de recepción.
- Aumentar la separación entre el equipo y el receptor.
- Conectar el equipo a una toma en un circuito diferente del circuito en el que está conectado el receptor.
- Consultar al proveedor o a un técnico con experiencia en radio/TV para obtener ayuda.
- Los cambios o modificaciones que no tengan la aprobación expresa de la parte responsable del cumplimiento pueden anular el permiso del usuario para utilizar el equipo.

Este dispositivo cumple con la Sección 15 de las reglas de la Comisión Federal de Comunicaciones (FCC). El uso de este equipo está sujeto a las dos condiciones siguientes:

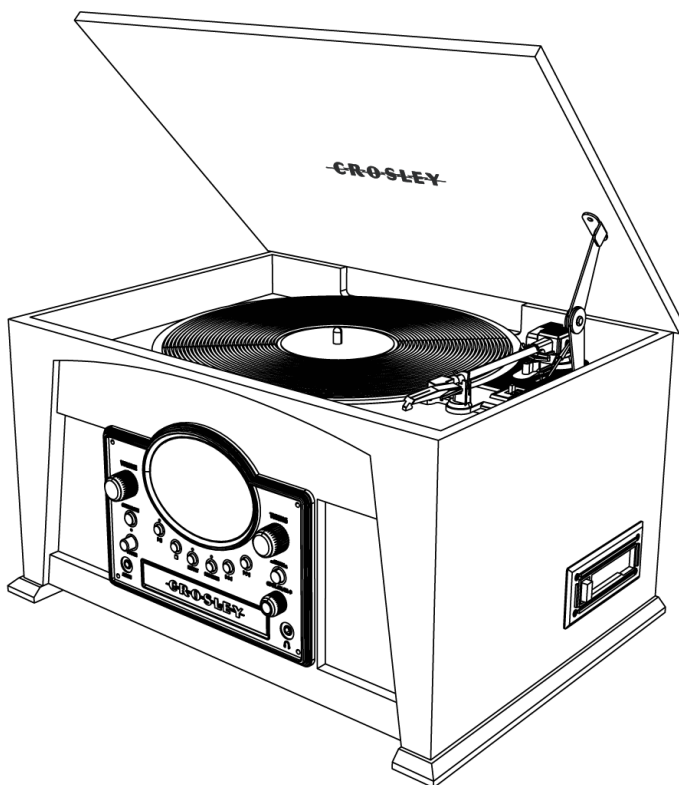
1. este dispositivo no causa interferencia perjudicial y
2. este dispositivo debe aceptar cualquier interferencia recibida, incluso interferencia que pueda causar un funcionamiento no deseado.

CROSLEY®

CR7015A

Centre de divertissement Medley

Manuel d'utilisation



Des questions, problèmes, pièces manquantes?
Avant de retourner au magasin, appelez le service à la clientèle
De 8 h à 18 h, HNE, du lundi au vendredi
1-888-CROSLEY
www.crosleyradio.com

Instructions de sécurité

Veillez lire et comprendre l'intégralité de ce manuel avant d'utiliser ce produit. Conservez ces instructions pour pouvoir les consulter ultérieurement.

1. Ne pas utiliser ce produit près de l'eau.
2. Ce produit doit être alimenté uniquement par le type de source d'alimentation indiqué sur l'étiquette ou dans le présent manuel d'utilisation.
3. Ne pas tenter de modifier le dispositif de sécurité que constitue la fiche polarisée. Une fiche polarisée a deux lames, l'une étant plus large que l'autre. Cette fiche peut être insérée dans une prise électrique d'une seule façon. S'il est impossible d'insérer la fiche complètement dans la prise, inverser la fiche. Si la fiche ne peut toujours pas s'insérer entièrement, contacter un électricien.
4. Faire en sorte que personne ne marche sur le cordon d'alimentation ou que ce dernier ne soit pas pincé, notamment au niveau des fiches, des prises murales et du point de sortie du produit.
5. Ne pas surcharger les prises murales, cordons de rallonge ou prises de courant intégrales, car cela pourrait entraîner un risque d'incendie ou de décharge électrique.
6. Ne jamais pousser d'objets, quelle que soit leur nature, dans les ouvertures, car ils pourraient toucher des points de tension dangereux ou court-circuiter des pièces, ce qui pourrait entraîner un incendie ou une décharge électrique. Ne jamais renverser de liquide, quelle qu'en soit la nature, sur le produit.
7. Ne pas tenter de réparer ce produit vous-même, car couvrir ou ôter des couvercles pourrait vous exposer à une tension dangereuse ou à d'autres dangers. Faire appel à une personne qualifiée pour toutes les réparations.
8. Les changements ou les modifications non approuvés expressément par la partie responsable de la conformité pourraient annuler le droit de l'utilisateur de faire fonctionner le matériel.
9. Ne pas utiliser d'accessoires non recommandés par le fabricant du produit, car ils pourraient causer des dommages.
10. Il est important de déplacer avec prudence le produit s'il se trouve sur un chariot. Les arrêts brusques, une force excessive et les surfaces inégales peuvent entraîner le retournement du produit sur un chariot.
11. Des fentes et ouvertures sont présentes dans le boîtier pour la ventilation, pour assurer un fonctionnement fiable du produit et pour le protéger d'une surchauffe. Ne pas bloquer ou couvrir ces ouvertures.
12. Débrancher le produit pendant un orage ou lorsqu'il est inutilisé pendant une période prolongée.

Contenu de la trousse

Avant de jeter les emballages, veuillez les passer en revue minutieusement et vérifier que vous avez les éléments suivants fournis dans cette trousse :

- Tourne-disque
- Adaptateur 45 tours
- Câble d'entrée auxiliaire de 3,5 mm

Veuillez contacter le service à la clientèle de Crosley s'il manque des accessoires dans la trousse. **Conservez les emballages d'origine pour procéder à un échange ou à un retour.**

Spécifications

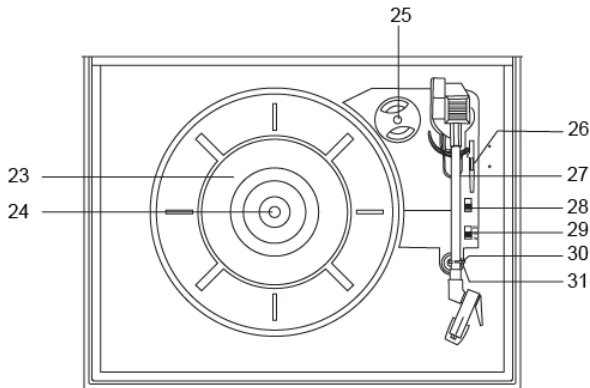
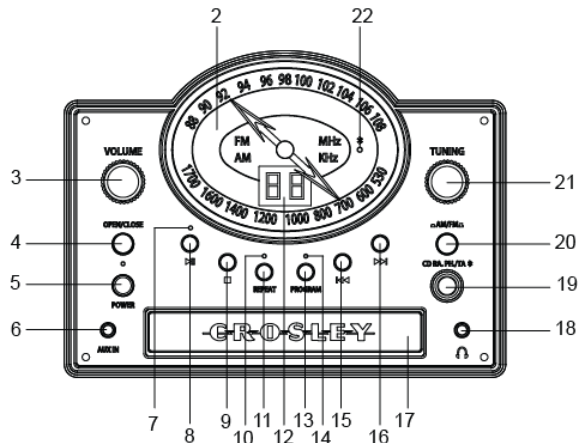
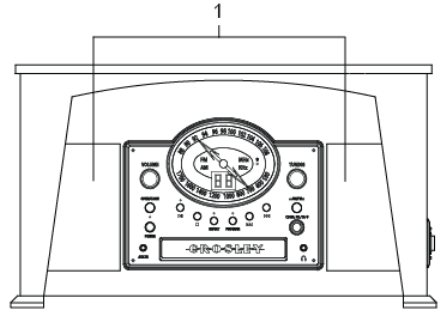
Alimentation	120V, 60Hz
Consommation électrique	18 W
Haut-parleur	3.5", 8Ω, 5W x 2
Vitesse du tourne-disque	33 ¹ / ₃ , 45, 78 T/M
Aiguille de rechange	Crosley NP6

Remarque :

- *La conception et les spécifications sont sujettes à modification sans préavis.*
- **Pour contribuer à économiser de l'énergie, certains modèles se conformeront à la norme d'économie d'énergie ERP (Energy-Related Products). En l'absence d'entrée audio pendant 20 minutes, l'alimentation se coupera automatiquement. Pour rétablir l'alimentation en courant et reprendre la lecture, vous devrez éteindre l'appareil puis le rallumer.**

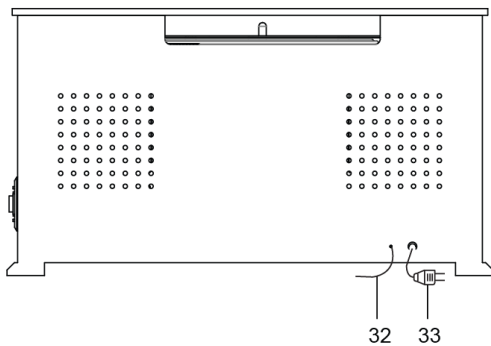
Description du produit

1. Haut-parleurs
2. Échelle de syntonisation
3. Bouton de volume
4. Bouton d'ouverture/fermeture de la porte du compartiment CD
5. Bouton de mise en marche
6. Prise d'entrée aux
7. Voyant Lecture
8. Bouton Lecture/Pause
9. Bouton Arrêt
10. Voyant Lecture en boucle
11. Bouton Lecture en boucle
12. Affichage à DEL
13. Bouton de programmation
14. Voyant Programmation
15. Bouton Précédent
16. Bouton Suivant
17. Porte-CD
18. Prise pour casque d'écoute
19. Bouton de fonction
20. Bouton AM/FM
21. Bouton de syntonisation
22. Voyant Bluetooth
23. Plateau du tourne-disque
24. Broche du tourne-disque
25. Adaptateur 45 tours
26. Levier du bras de lecture
27. Bras de lecture
28. Commutateur d'arrêt automatique
29. Sélecteur de vitesse
30. Attache de retenue
31. Support du bras de lecture



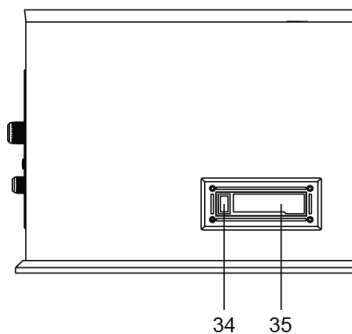
32. Antenne externe

33. Fiche du cordon d'alimentation



34. Bouton Éjection de la cassette/Avance rapide

35. Porte-cassette



Configuration initiale

Configuration de base

1. Placez l'appareil sur une surface plane. L'emplacement choisi doit être stable et sans vibration.
2. Retirez l'attache qui retient le bras de lecture.
3. Branchez le cordon d'alimentation à la prise de courant.

Branchement de l'entrée Aux

Vous pouvez brancher un périphérique audio à cet appareil afin d'écouter de la musique avec vos écouteurs. Pour cela, branchez le câble auxiliaire 3,5 mm entre votre périphérique audio et la **prise d'entrée Aux** de cet appareil et commencez à écouter de la musique.

Remarque : Le raccordement Aux in présente la plus haute priorité de toutes les fonctions. Si un câble auxiliaire est branché, le raccordement Aux in annulera automatiquement le mode Bluetooth, tourne-disque, CD, radio ou cassette. Pour utiliser à nouveau les autres caractéristiques de l'appareil, débranchez le câble auxiliaire de la prise Aux in.

Utilisation du Bluetooth

1. Réglez le bouton de fonction sur la position Bluetooth, l'unité émettra un son d'activation.
2. Activez la fonction Bluetooth de votre appareil audio, recherchez « CROSLEY CR7015A » et associez l'appareil.
3. Une fois votre appareil associé à l'unité, celle-ci émettra un bref son de confirmation.
4. Lire et diffuser de la musique en continu de votre appareil sur l'unité.

Remarque :

- Versions de Bluetooth – 5.0

Utilisation du tourne-disque

1. Appuyez sur la touche de mise en marche pour allumer l'appareil.
2. Mettez le bouton de fonction en position TAPE/PHONO.
Remarque: Si une cassette est insérée, celle-ci sera lue à la place du plateau tournant.
3. Réglez le sélecteur de vitesse en conséquence.
4. Placez le disque sur le tourne-disque. Utilisez l'adaptateur 45 tours si besoin.
5. Retirez la protection du stylet de son assemblage.
Remarque : Pour éviter d'endommager le stylet, vérifiez que la protection intégrée du stylet est bien en place lorsque vous déplacez ou nettoyez le tourne-disque.
6. Relâchez l'attache de retenue du bras de lecture.
Remarque : Lorsque vous n'utilisez pas le tourne-disque, n'oubliez pas de verrouiller à nouveau l'attache de retenue.
7. Utilisez le levier du bras de lecture pour soulever le bras de lecture.
8. Déplacez doucement le bras de lecture au-dessus du disque, là où vous souhaitez commencer la lecture. Abaissez le levier du bras de lecture. Le bras de lecture descendra doucement sur le disque et commencera la lecture.
9. Lorsque la lecture du disque est terminée, utilisez à nouveau le levier du bras de lecture pour soulever le bras de lecture et le remettre sur le support du bras de lecture. Relâchez le levier pour reposer le bras de lecture sur son support. Pour interrompre la lecture, répétez les mêmes étapes.
10. Verrouillez l'attache du bras de lecture pour retenir le bras de lecture.

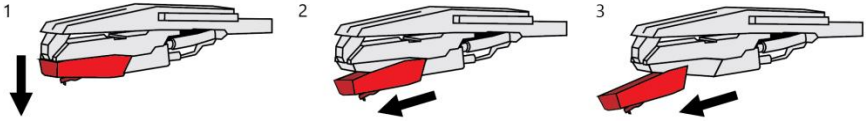
Arrêt automatique du plateau

Si le sélecteur d'arrêt automatique est en position ON (MARCHE), le plateau s'arrêtera automatiquement de tourner lorsque la lecture du disque sera terminée. Dans quelques rares occasions, si le tourne-disque s'arrête de lire avant la fin du disque, positionnez le sélecteur sur OFF (ARRÊT) : le tourne-disque devrait surmonter ce problème.

Remplacement de l'aiguille

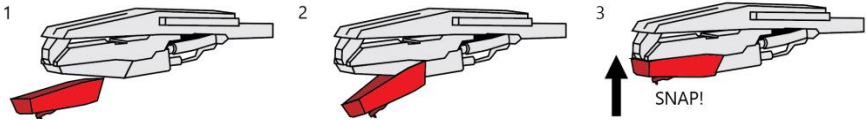
Retrait de l'aiguille

1. Tirez doucement vers le bas le bord avant de l'aiguille.
2. Tirez l'aiguille vers l'avant.
3. Tirez vers l'extérieur pour l'enlever.



Installation de l'aiguille

1. Positionnez l'aiguille avec son extrémité vers le bas.
2. Alignez l'arrière de l'aiguille avec la cartouche.
3. Insérez l'aiguille avec son extrémité avant à un angle descendant et soulevez doucement l'avant de l'aiguille vers le haut jusqu'à ce qu'il s'enclenche.



Utilisation de la radio

1. Réglez le bouton de fonction en position RADIO et appuyez sur le bouton AM/FM sur la bande radio désirée.
2. Tournez le bouton de syntonisation pour sélectionner la station de radio désirée.

Remarque :

- L'appareil est équipé d'une antenne FM filaire. Pour améliorer la réception FM, déplacez l'antenne jusqu'à ce que la réception soit claire et sans interférences. Ne branchez pas le fil sur une autre antenne.
- L'antenne AM est intégrée à l'appareil. Si la réception AM est faible, essayez de faire pivoter l'appareil pour obtenir une meilleure réception.

Mode d'emploi de la lecture d'un CD

1. Mettez le bouton de fonction en position CD.
2. Appuyez sur le bouton Ouvrir/Fermer pour ouvrir le porte-CD et mettez le CD dans le porte-CD avec le côté marqué du disque vers le haut.
3. Appuyez de nouveau sur le bouton Ouvrir/Fermer pour fermer le porte-CD. L'écran ACL indique « -- » pendant quelques secondes, puis le nombre total de pistes sur le CD. S'il s'agit d'un CD vierge ou inconnu, il indiquera « 00 ». *Remarque : Le MP3 ou les types similaires de fichiers audio numériques ne peuvent pas être lus par le lecteur CD.*
4. Appuyez sur le bouton Lecture/Pause pour lancer la lecture. Le voyant Lecture s'allumera.
5. Pendant la lecture, appuyez sur le bouton Lecture/Pause pour mettre en pause : le voyant Lecture se mettra à clignoter. Appuyez de nouveau sur le bouton pour reprendre la lecture.
6. Pour passer à la piste suivante ou revenir à la piste précédente, appuyez sur le bouton Suivant ou Précédent selon ce que vous souhaitez.
7. Pour effectuer une avance rapide ou reculer sur une piste, appuyez et maintenez enfoncé le bouton Suivant ou Précédent selon ce que vous souhaitez jusqu'à ce que vous ayez atteint le moment souhaité. Relâchez le bouton et la lecture reprendra.
8. Appuyez sur la touche Arrêt si vous souhaitez arrêter complètement la lecture.

Lecture programmée

1. Avant de lancer la lecture, appuyez une fois sur le bouton Programmation pour entrer dans le mode Programmation. Le voyant Programmation se mettra alors à clignoter. L'écran ACL affichera « 01 » en clignotant, affichant la séquence de piste devant être modifiée.
2. Appuyez sur le bouton Suivant ou Précédent pour sélectionner la piste souhaitée que vous aimeriez lire. Le numéro indiqué sur l'écran ACL arrêtera de clignoter, affichant le numéro de la piste sélectionnée.
3. Appuyez sur le bouton Programmation pour confirmer la piste sélectionnée. Le numéro sur l'écran ACL se remettra à clignoter affichant la séquence de la piste suivante devant être modifiée.
4. Répétez les étapes 2 et 3 pour les pistes supplémentaires que vous aimeriez lire. Les pistes peuvent être dans n'importe quel ordre et répétées. Un maximum de 20 pistes peut être programmé en une fois.
5. Appuyez sur le bouton Lecture/Pause pour lancer la lecture programmée. Les pistes seront lues dans la même séquence que vous avez programmée auparavant.
6. Pour quitter le mode Programmation, appuyez deux fois sur le bouton Arrêt et le voyant Programmation s'éteindra.

Utilisation du lecteur de cassettes

1. Réglez le bouton de fonction sur la position TAPE/PHONO.
2. Insérez la cassette préenregistrée dans le compartiment à cassettes et la lecture commencera automatiquement.
3. Pour enclencher l'avance rapide, appuyez à mi-course sur le bouton Éjection/Avance rapide. Pour arrêter l'avance rapide et revenir en mode de lecture, appuyez à nouveau sur le bouton.

Remarque : Pour rembobiner la cassette, vous devez éjecter la cassette, la retourner et faire une avance rapide.

4. Pour arrêter la lecture et éjecter la cassette, appuyez sur la touche Éjection/Avance rapide jusqu'au bout.
5. Quand la lecture d'un côté de la cassette est terminée, elle s'arrêtera automatiquement.

Remarque : Retirez la cassette du compartiment à cassettes lorsqu'elle n'est pas utilisée.

Entretien du tourne-disque

1. Ne pas toucher l'extrémité du stylet avec vos doigts. Éviter de cogner le stylet sur le tapis du tourne-disque ou le bord du disque.
2. Nettoyer souvent le stylet avec une brosse douce dans un mouvement d'arrière vers l'avant uniquement.
3. Nettoyer les disques pour retirer la poussière ou la graisse avec une brosse de nettoyage pour disque et une solution nettoyante pour disque.
4. Nettoyer le couvercle du tourne-disque et le boîtier du tourne-disque avec un chiffon microfibre légèrement humide.

Remarque : Ne pas utiliser d'autre nettoyant contenant de l'alcool, du benzène ou tout autre produit chimique nocif qui pourrait endommager la peinture et la finition du tourne-disque.

**** Crosley propose toute une gamme d'accessoires de nettoyage. Veuillez contacter votre détaillant ou consulter notre site Web www.crosleyradio.com pour obtenir plus d'informations sur les produits de nettoyage.**

Dépannage

L'appareil ne s'allume pas

- L'adaptateur d'alimentation n'est pas branché correctement.
- Pour contribuer à économiser de l'énergie, certains modèles se conformeront à la norme d'économie d'énergie ERP (Energy-Related Products). En l'absence d'entrée audio pendant 20 minutes, l'alimentation se coupera automatiquement. Pour rétablir l'alimentation en courant et reprendre la lecture, éteignez l'appareil puis rallumez-le.

L'appareil est allumé, mais le plateau ne tourne pas

- Le mode tourne-disque n'est pas sélectionné.
- La courroie d'entraînement du tourne-disque a glissé.
- Un câble d'entrée Aux est branché à la prise d'entrée Aux, débranchez-le.

Le tourne-disque tourne, mais il n'y a pas de son ou le son n'est pas suffisamment fort.

- La protection du stylet n'a pas été enlevée.
- Le bras de lecture est soulevé par le levier.

Le CD ne fonctionne pas

- Le mode fonction n'est pas défini sur CD.
- Le CD est vierge.
- Le CD est mal placé sur le porte-CD, l'étiquette vers le bas.
- Le CD a des fichiers audio numériques non pris en charge, comme le MP3 ou des types similaires de fichiers.
- Le CD présente trop de rayures ou est sale.

Impossible de mettre en pause la cassette.

- La fonction n'est pas disponible et vous devez arrêter complètement la cassette.

Déclarations relatives à la FCC

REMARQUE : Ce matériel a été testé et jugé en conformité avec les limites pour un appareil numérique de Classe B, conformément à la partie 15 des règles de la FCC. Ces limites ont été établies pour offrir une protection raisonnable contre l'interférence nuisible dans une installation résidentielle. Cet appareil produit, utilise et peut émettre de l'énergie de fréquence radio et, s'il n'est pas installé et utilisé conformément aux instructions, il peut provoquer de l'interférence nuisible aux communications radio. Toutefois, il n'existe aucune garantie qu'il n'y aura pas d'interférence dans une installation particulière. Si ce matériel cause de l'interférence nuisible à la réception radio ou de télévision, qui peut être déterminée en allumant et en éteignant le matériel, il est conseillé à l'utilisateur de tenter de remédier à l'interférence par l'un ou plusieurs des moyens suivants :

- Réorienter ou déplacer l'antenne de réception.
- Augmenter la distance entre le matériel et le récepteur.
- Brancher le matériel à une prise sur un circuit différent de celui du récepteur.
- Consulter le détaillant ou un technicien de radio ou de télévision qualifié pour obtenir de l'aide.
- Les changements ou les modifications non approuvés expressément par la partie responsable de la conformité pourraient annuler le droit de l'utilisateur de faire fonctionner le matériel.

Cet appareil est conforme à la partie 15 des règles de la FCC. Son fonctionnement est assujéti aux deux conditions suivantes :

1. cet appareil ne peut causer des interférences nuisibles, et
2. cet appareil doit accepter toute interférence reçue, y compris celles susceptibles de causer un fonctionnement indésirable.