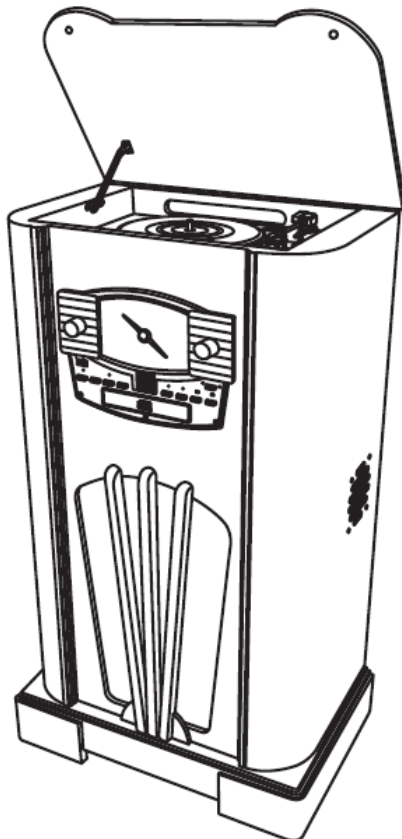


CR44CDE
Turntable Console With CD Player
Instruction Manual



Safety Instructions

Read and understand this entire manual before using this product. Keep these instructions for future reference.

1. Read Instructions - All the safety and operating instructions should be read before the product is operated.
2. Retain instructions - The safety and operating instructions should be retained for future reference.
3. Heed Warnings - All warnings on the product and in the operating instructions should be adhered to.
4. Follow Instructions - All operating and use instructions should be followed.
5. Cleaning - Unplug this product from the wall outlet before cleaning. Do not use liquid cleaners or aerosol cleaners. Use a damp cloth for cleaning.
6. Attachments - Do not use attachments not recommended by the product manufacturer as they may cause hazards.
7. Water and Moisture - Do not use this product near water - for example, near a bath tub, wash bowl, kitchen sink, or laundry tub; in a wet basement; or near a swimming pool; and the like.
8. A product and cart combination should be moved with care. Quick stops, excessive force, and uneven surfaces may cause the product and cart combination to overturn.
9. Ventilation - Slots and openings in the cabinet are provided for ventilation and to ensure reliable operation of the product and to protect it from overheating, and these openings must not be blocked or covered. The openings should never be blocked by placing the product on a bed, sofa, rug, or other similar surface. This product should not be placed in a built - in installation such as a bookcase or rack unless proper ventilation is provided or the manufacturer's instructions have been adhered to.
10. Power Sources - This product should be operated only from the type of power source indicated on the marking label. If you are not sure of the type of power supply to your home, consult your product dealer or local power company. For products intended to operate from battery power, or other sources, refer to the operating instructions.
11. Grounding or Polarization - This product may be equipped with a polarized alternating-current line plug (a plug having one blade wider than the other). This plug will fit into the power outlet only one way. This is a safety feature. If you are unable to insert the plug fully into the outlet try reversing the plug, if the plug should still fail to fit, contact your electrician to replace your obsolete outlet. Do not defeat the safety purpose of the polarized plug.
12. Power - Cord Protection - Power - supply cords should be routed so that they are not likely to be walked on or pinched by items placed upon or against them, paying particular attention to cords at plugs, convenience receptacles, and the point where they exit from the product.
13. Lightning - For added protection for this product during a lightning storm, or when it is left unattended and unused for long periods of time, unplug it from the wall outlet and disconnect the antenna or cable system. This will prevent damage to the product due to lightning and power - line surges.
14. Power Lines - An outside antenna system should not be located in the vicinity of overhead power lines or other electric light or power circuits, or where it can fall into such power lines or circuits. When installing an outside antenna system, extreme care should be taken to keep from touching such power lines or circuits as contact with them might be fatal.
15. Overloading - Do not overload wall outlets, extension cords, or integral convenience receptacles as this can result in a risk of fire or electric shock.
16. Object and Liquid Entry - Never push objects of any kind into this product through openings as they may touch dangerous voltage points or short - out parts that could result in a fire or electric shock. Never spill liquid of any kind on the product.



17. Servicing - Do not attempt to service this product yourself as opening or removing covers may expose you to dangerous voltage or other hazards. Refer all servicing to qualified service personnel.
18. Damage Requiring Service - Unplug this product from the wall outlet and refer servicing to qualified service personnel under the following conditions;
 - a. When the power-supply cord or plug is damaged.
 - b. If liquid has been spilled, or objects have fallen into the product.
 - c. If the product has been exposed to rain or water.
 - d. If the product does not operate normally by following the operating instructions, adjust only those controls that are covered by the operating instructions as an improper adjustment of other controls may result in damage, and will often require extensive work by a qualified technician to restore the product to its normal operation.
 - e. If the product has been dropped or damaged in any way. This indicates a need for service.
 - f. When the product exhibits a distinct change in performance
19. Replacement Parts - When replacement parts are required, be sure the service technician has used replacement parts specified by the manufacturer or have the same characteristics as the original part. Unauthorized substitutions may result in fire, electric shock, or other hazards.
20. Safety Check - Upon completion of any service or repairs to this product, ask the service technician to perform safety checks to determine that the product is in proper operating condition.
21. Wall or Ceiling Mounting - The product should be mounted to a wall or ceiling only as recommended by the manufacturer.
22. Heat - The product should be situated away from heat sources such as radiators, heat registers, stoves, or other products (including amplifiers) that produce heat.

WARNING: Changes or modifications to this unit not expressly approved by the party responsible for compliance could void the user's authority to operate the equipment.

NOTE: This equipment has been tested and found to comply with the limits for a Class B digital device, pursuant to Part 15 of the FCC Rules. These limits are designed to provide reasonable protection against harmful interference in a residential installation. This equipment generates, uses, and can radiate radio frequency energy and, if not installed and used in accordance with the instructions, may cause harmful interference to radio communications. However, there is no guarantee that interference will not occur in a particular installation. If this equipment does cause harmful interference to radio or television reception, which can be determined by turning the equipment off and on, the user is encouraged to try to correct the interference by one or more of the following measures:

 - Reorient or relocate the receiving antenna.
 - Increase the separation between the equipment and receiver.
 - Connect the equipment into a circuit different from that to which the receiver is connected.
 - Consult the dealer or an experienced radio TV technician for help.

Items in this package

Before throwing away any packaging materials, please check thoroughly and make sure you find the following items that come along with this package:

- Turntable
- 45 RPM adapter
- 3.5mm to RCA

Retain the original packaging materials for exchange or return purposes.

Specifications

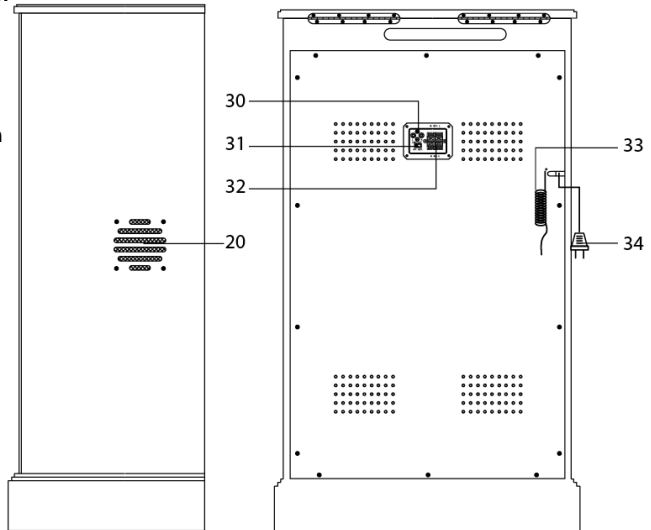
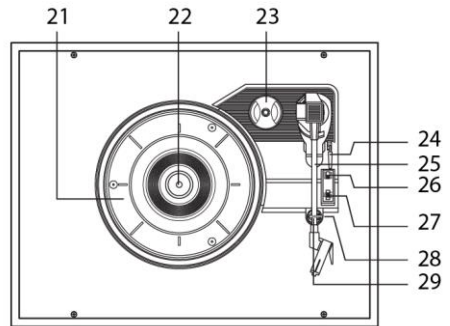
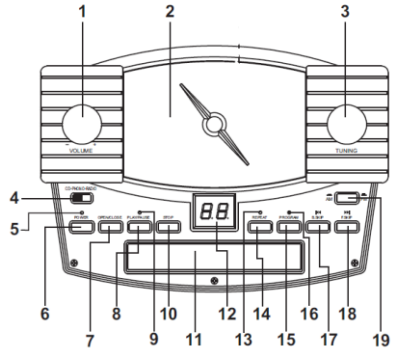
Frequency Range	FM 88 - 108 MHz AM 530 - 1700 KHz
Power Source	AC 120V ~ 60 HZ
Power Consumption	50 W
Antennas	External FM Antenna Built-in Ferrite Am Bar

Note:

- *Design and specifications are subject to change without notice.*
- **To help save power consumption, some models will comply with ERP energy saving standard. When there is no audio input for 20 minutes, their powers will automatically cut-off. To turn power back on and resume playing, you will need to turn off the power and turn it on again.**

Product Description

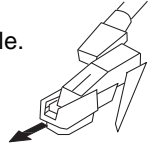
1. Volume Knob
2. Tuner Dial
3. Tuning Knob
4. Function Switch
5. Power Indicator
6. Power Button
7. Open/Close Button
8. Play/Pause Button
9. Play/Pause Indicator
10. Stop Button
11. CD Drawer
12. LED Display
13. Repeat Indicator
14. Repeat Button
15. Program Button
16. Program Indicator
17. Backward Skip Button
18. Forward Skip Button
19. AM/FM Button
20. Speaker
21. Turntable
22. Spindle
23. 45 RPM Adapter
24. Cue Lever
25. Tone Arm
26. Auto Stop Control Switch
27. Speed Control Switch
28. Tone Arm Rest
29. Security Hook
30. Line Out Jack
31. Speaker Int. / Ext. Switch
32. Spring Input Terminals
33. FM Wire Antenna
34. AC Power Cord



Initial Setup

Essential Setup

1. Remove packing materials from unit
Note: Save all packing materials.
2. Remove plastic bag covering radio.
3. Remove plastic safety cover from A/C plug.
4. Remove tie from A/C cord.
5. Open lid and remove styrofoam shipping material from turntable.
6. Remove black tie-wrap from under the tone arm.
7. Remove white protective needle cover by gently pulling towards the front of the unit.
8. Untie the FM antenna and allow it to hang down in a straight line for optimum FM reception. If you have trouble tuning in an FM station, move the external FM antenna for best reception. Do not connect FM antenna to outside antenna.



Note: Do not plug the AC power adaptor to power outlet before all the assembly is completed. Before turning the power on, make sure again all the connection settings are correct. Always turn off the power when connecting or disconnecting.

Stereo System Connection

Spring clip speaker terminals

The spring clip speaker terminals deliver amplified, speaker-level signals as output and should be connected with the passive speakers.

RCA Jacks

- The RCA Jacks output analog line-level signals and could be connected directly with a pair of active/powered speakers or the appropriate input of your stereo system.
- The Red plug connects with the Right channel and the White plug connects with the Left channel.

Note: The RCA Jacks are not designed to be connected directly to the passive/unpowered speakers. If connected to the passive speakers, the volume level will be very low.

Turntable Operation

1. Push the **Power Button** to turn on the power.
2. Slide the **Function Switch** to PHONO
3. Set the **Speed Control Switch** to the desired speed (33 1/3, 45, or 78 RPM).
4. Place the record on the turntable. Use the **45 RPM Adapter** if necessary.
5. Remove the stylus protector from the stylus assembly.
Note: To avoid stylus damage, make certain the included stylus guard is in place whenever the turntable is being moved or cleaned.
6. Lift up and pull the **Tone Arm** slightly to the right side until hear the “click” sound to activate the **Turntable**.
7. Move the **Tone Arm** by hand to the record and slowly lower it to the desired starting point. Turn the **Volume Knob** to adjust the volume to the desired level.
8. At the end of the record, the **Tone Arm** will stop automatically. You must return the **Tone Arm** to **Tone Arm Rest** by hand.

Radio Operation

1. Slide the **Function Switch** to RADIO.
2. Press the **AM/FM Button** to select the desired tuning band.
3. Select the desired radio station by rotating the **Tuning Knob**.
4. Adjust the **Volume Knob** to the desired sound level.
*Note: the unit is provided with a **FM Wire Antenna**, move the wire until the reception is clear and with no interferences. For AM reception, the unit is provided with a directional build-in ferrite antenna. Rotate the set to find the position in which the best reception is obtained. Do not connect the **FM Wire Antenna** to any outside antenna.*

Bluetooth Operation

1. Press the **Function** button to switch to Bluetooth mode.
2. The LED indicator will flash indicating that it is searching for a nearby Bluetooth enabled device to connect to.
3. On your Bluetooth enabled device, search for nearby devices. When your device finds “CR44” connect to this device. There should be no requirement for a PIN.
4. When the unit has connected to your Bluetooth enabled device successfully, your device will indicate that they are connected and the indicator light on the Bluetooth. The unit will stop flashing and continuously illuminate.

CD Operation

Playing a CD

1. Slide the **Function Switch** to CD.
2. Press the **Open/Close Button** to open the **CD Drawer**. Place a disc in the tray with the labeled side of the disc facing up.
3. Press the **Open/Close Button** again to close the **CD Drawer**. The display will show “---“ for a few seconds while reading CD information, then the total number of tracks on the disc will be displayed. “00” will be shown when there is no disc inside the unit.
4. Press the **Play/Pause Button** to start playback. The **Play/Pause Indicator** will light up.
5. Adjust the **Volume Knob** to the desired volume level.
6. To pause playback, press the **Play/Pause Button**. The **Play/Pause Indicator** will flash. Press the **Play/Pause Button** again to resume playback.
7. To stop playback, press the **Stop Button** and the **Play/Pause Indicator** will go off.

Skip Forward And Skip Reverse

1. Press the **Forward Skip Button** or the **Backward Skip Button** to select a track.
2. Press the **Play/Pause Button** to start playing the selected track.

Search Forward And Reverse During Play

Playback

1. Press and hold the **Forward Skip Button** or the **Backward Skip Button** to search forward or backward through the selected track.
2. Release the button at the desired point, playback will resume automatically.

Repeat Playback

1. To repeat a single track, choose the track that you want to repeat, then press the **Play/Pause Button** to start the track. Press the **Repeat Button** once to repeat this track. The **Repeat Indicator** will flash.
2. To repeat all tracks, press the **Play/Pause Button** to start the CD. Press the **Repeat Button** twice to repeat all tracks. Once the CD ends, it will start over again from the beginning of the CD. The **Repeat Indicator** will remain on.
3. To erase the repeat function, press the **Repeat Button** again until the **Repeat Indicator** is off.

Programmed Playback

1. Press the **Program Button**. “01” will be shown on the display and the **Program Indicator** will flash.
2. Press the **Forward Skip Button** or the **Backward Skip Button** to select a track.
3. Press the **Program Button** again to store the selected track number.
4. Repeat steps 2 and 3 above to program other tracks.
5. Press the **Play/Pause Button** to start programmed playback. The **Program Indicator** will be on.

6. To erase the programmed sequence, press the **Stop Button** twice or until the **Program Indicator** is off. Programmed tracks will also erase when the **CD Drawer** is opened.

NOTE: Maximum of 20 tracks can be programmed to play in any order.

Troubleshooting

There is no Power

- Make sure the radio is plugged in correctly.
- Check to see that the power button is pushed in.

There is no Sound

- Check the volume level by turning the volume knob.
- Make sure the ext. /int. switch on back of radio is on int. (unless you are using external speakers, in which case it should be on ext.)

Turntable will not work

- Make sure the function switch is set to phono.
- Try moving the tone arm to the right until you hear a click.
- Make sure the protective needle cover is removed.

CD does not play

- Check to make sure CD is inserted correctly (label side facing up).
- Check that the surface of the CD is clean
- Make sure function switch is set to CD.

FCC Statements

This equipment has been tested and found to comply with the limits for a Class B digital device, pursuant to Part 15 of the FCC Rules. These limits are designed to provide reasonable protection against harmful interference in a residential installation. This equipment generates, uses, and can radiate radio frequency energy and, if not installed and used in accordance with the instructions, may cause harmful interference to radio communications. However, there is no guarantee that interference will not occur in a particular installation. If this equipment does cause harmful interference to radio or television reception, which can be determined by turning the equipment off and on, the user is encouraged to try to correct the interference by one or more of the following measures:

- Reorient or relocate the receiving antenna.
- Increase the separation between the equipment and receiver.
- Connect the equipment into a circuit different from that to which the receiver is connected.
- Consult the dealer or an experienced radio TV technician for help.

Changes or modifications not expressly approved by the party responsible for compliance could void the user's authority to operate the equipment.

This device complies with Part 15 of the FCC Rules. Operation is subject to the following two conditions:

- (1) this device may not cause harmful interference, and
- (2) this device must accept any interference received, including interference that may cause undesired operation.