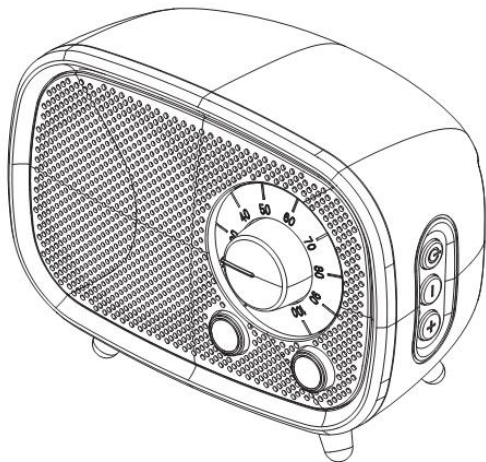


RONDO STYLE BLUETOOTH SPEAKER

USER MANUAL

CR3039A



BUYER RECOMMENDATIONS

- Unpack the device carefully. Make sure there are no accessories left in the box. Check up the device for damage; if the products was damaged during transportation, address the firm which carried out the delivery; if the product functions incorrectly, address the dealer at once.
- Shipping and transportation equipment is permitted only in the original container.
- Does not require special condition for realization.
- Dispose of in accordance with regulations for the disposal of household and computer equipment.

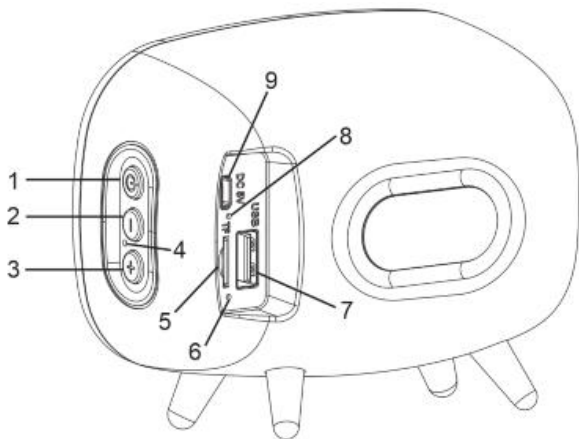
PACKING CONENTS

- 50cm USB power cable-1pc
- User's Manual-1pc

SPECIAL FEATURES

- Bluetooth wireless signal transmission
- Built-in player with USB flash and with micro SD memory card
- Battery operation time up to 3.5hours
- Radius of operation up to 10m

SPEAKER SYSTEM DESCRIPTION



1: Power button (long press), Play/Pause (short press), Switch mode-Bluetooth, USB, SD (short two press)

2: Volume decrease (long press), last song (short press)

3: Volume increase (long press), next song (short press)

4: Microphone

5: Micro SD card slot

6: LED indicator: Bluetooth/ Micro SD card /USB

7: USB driver socket

8: Battery charge indicator

9: USB charging socket

CONNECTION AND OPERATION

Attention! The built-in battery must be charged completely prior to the application.

Speaker system battery charging

- Connect speaker system to a USB port of PC or USB charger using micro USB to USB cable(included). During battery charging the indicator is red.
- The battery is used in the speaker systems as an integral part of the device, therefore do not try extract or replace it, because this can result in the warranty cancellation or the device damage.

OPERATION MODES

Bluetooth mode

Wireless data transfer via the Bluetooth protocol enables to connect speaker system to compatible devices. Maximum radius of action of data transfer is 10 m. Such obstacles as well as other electronic devices can interfere with the signal transfer.

- Long press the Power/Play/Pause button to turn it ON, and the indicator LED will flash blue.
- Turn on the Bluetooth feature of your audio device, search for “CROSLEY CR3039A” and pair.
- Once your device is successfully paired with the unit, you will hear a short confirmation sound from the unit.
- Play and stream music from your device to the unit.

MP3 player mode

Attention! The file system of a micro SD or USB flash carrier is FAT32.

Maximum volume is 64 GB.

Insert the USB flash or SD carrier into appropriate slot. If the speaker system is in turned on position, the playback will start automatically.

Playback /Pause modes are switched over with the help of the button.

Tracks can be controlled by buttons (previous track ②) and (next track ③).

*You might have to enter “0000” code to connect some modes of

devices via Bluetooth.

**If the item has been already registered in the device list of a source, then the search mode activation or not obligatory. Choose the item name “CROSLEY CR3039A” and “connect” commend the source

Bluetooth Calling

When your smartphone is paired with speaker, the speaker will ring when an incoming call is received. Press Power/Play/Pause button to answer the call, and speak through the microphone on the unit. Then press and hold the Power/Play/Pause button to hang up the call.

Standby function

If not connected to Bluetooth, the unit will automatically shut down after five minutes.

TECHNICAL SPECIFICATIONS:

Out power	3W
Battery capacity, mA/h	1200
Power supply	USB/DC 5V
Cable length, m	0.5

Weight, g	223
Dimensions, mm	120x62x87
Radius of operation, m	Up to 10

FCC statements

Note:

changes or modifications not expressly approved by the party responsible for compliance could void the user's authority to operate the equipment.

This equipment has been tested and found to comply with the limits for a Class B digital device, pursuant to part 15 of the FCC Rules. These limits are designed to provide reasonable protection against harmful interference in a residential installation. This equipment generates, uses and can radiate radio frequency energy and, if not installed and used in accordance with the instructions, may cause harmful interference to radio communications. However, there is no guarantee that interference will not occur in a particular installation. If this equipment does cause harmful interference to radio or television reception, which can be determined by turning the equipment off and on, the user is

encouraged to try to correct the interference by one or more of the following measures:

- Reorient or relocate the receiving antenna.
- Increase the separation between the equipment and receiver.
- Connect the equipment into an outlet on a circuit different from that to which the receiver is connected.
- Consult the dealer or an experienced radio/TV technician for help.

This device complies with part 15 of the FCC Rules. Operation is subject to the following two conditions: (1) This device may not cause harmful interference, and (2) this device must accept any interference received, including interference that may cause undesired operation.