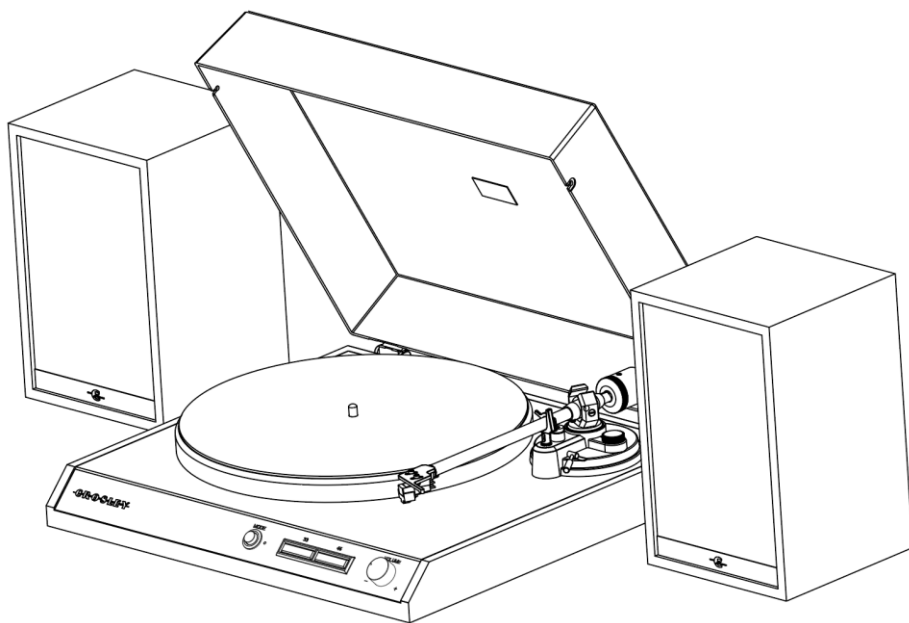




C72A-WA
C72A Turntable
Instruction Manual



Questions, problems, missing parts?
Before returning to the store, call Customer Service
8 a.m. – 6 p.m., EST, Monday – Friday
1-888-CROSLEY
www.crosleyradio.com

Important Safety Instructions

Read and understand this entire manual before using this product. Keep these instructions for future reference.

1. Do not use this product near water.
2. This product should be operated only by the type of power source indicated on the marking label or in this instruction manual.
3. Do not defeat the safety purpose of the polarized plug. A polarized plug has two blades with one blade wider than the other. This plug will fit into the power outlet only one way. If you are unable to insert the plug fully into the outlet try reversing the plug. If the plug should still fail to fit, contact your electrician.
4. Protect the power cord from being walked on or pinched particularly at plugs, convenience receptacles, and the point where they exit from the product.
5. Do not overload wall outlets, extension cords, or integral convenience receptacles as this can result in a risk of fire or electric shock.
6. Never push objects of any kind into this product through openings as they may touch dangerous voltage points or short-out parts that could result in a fire or electric shock. Never spill liquid of any kind on the product.
7. Do not attempt to service this product yourself as opening or removing covers may expose you to dangerous voltage or other hazards. Refer all servicing to qualified service personnel.
8. Changes or modifications to this unit not expressly approved by the party responsible for compliance could void the user's authority to operate the equipment.
9. Do not use attachments not recommended by the product manufacturer as they may cause hazards.
10. A product and cart combination should be moved with care. Quick stops, excessive force, and uneven surfaces may cause the product and cart combination to overturn.
11. Slots and openings in the cabinet are provided for ventilation and to ensure reliable operation of the product and to protect it from overheating. Do not block or cover these openings.
12. Unplug the product during lightning storm or when unused for long periods of time.

Items in this package

Before throwing away any packaging materials, please check thoroughly and make sure you find the following items that come along with this package:

- Turntable
- Turntable Lid
- Turntable Slip Mat
- Turntable Platter
- Tonearm Counterweight
- Cartridge Alignment Protractor
- Power Adaptor
- 45 RPM adapter
- RCA cable
- Speakers
- Speaker Wire X 2

Please contact Crosley customer service if there is any accessory missing from the package. **Retain the original packaging materials for exchange or return purposes.**

Specifications

Crosley C72A

Power	AC power adaptor, DC output 15V 2.4A
Power Consumption	50W
Speaker	
Tweeter	8 Ω 10W x 2
Woofer	4 Ω 30W x 2
Turntable Speed	33 $\frac{1}{3}$, 45 RPM
Speed Variance	\pm 1.5%
Wow and Flutter	\leq 0.15%
Signal to Noise	72 dB
Downforce Range	3.0 – 4.3g
Effective Tonearm Length	8.74" (222 mm)
Overhang	0.75"
Product Dimensions (W x H x D)	16.46" x 5.04" x 15.31", with lid open 16.46" x 15.46" x 15.31"
Weight	21.60 lbs

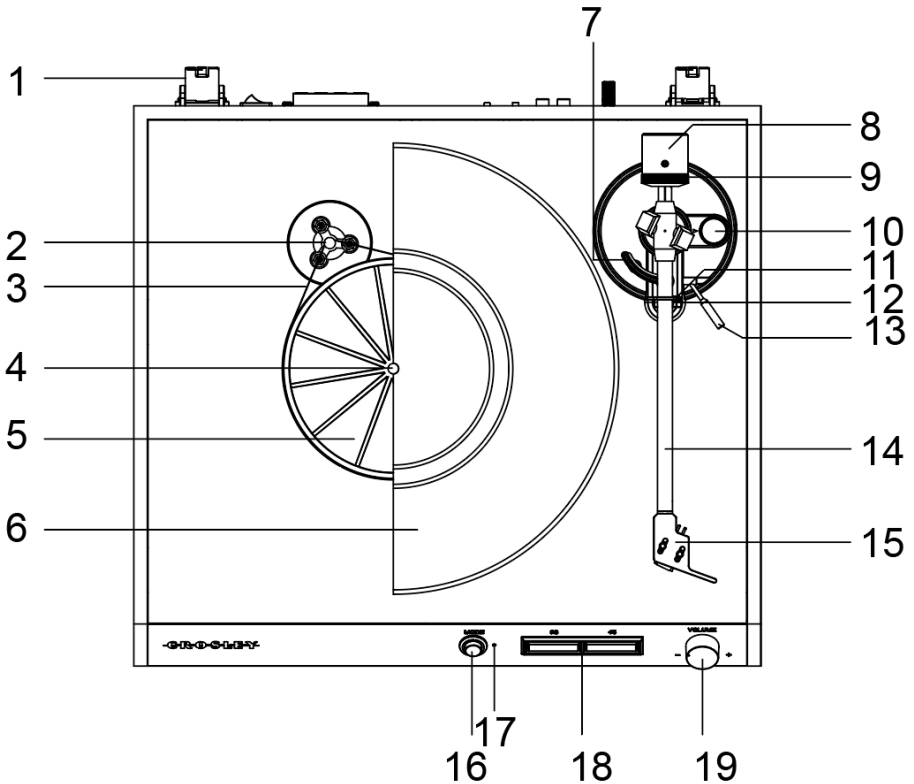
Needle: Crosley NP-5

Frequency Response	20Hz – 20kHz
Channel Balance	<2.5 dB
Channel Separation	>18 dB
Output Voltage	2.5 mV
Recommended Load Resistance	47k Ω
Amplifier connection	MM – input
Recommended Tracking Pressure	3.5 \pm 0.5g
Weight	0.18oz

Note:

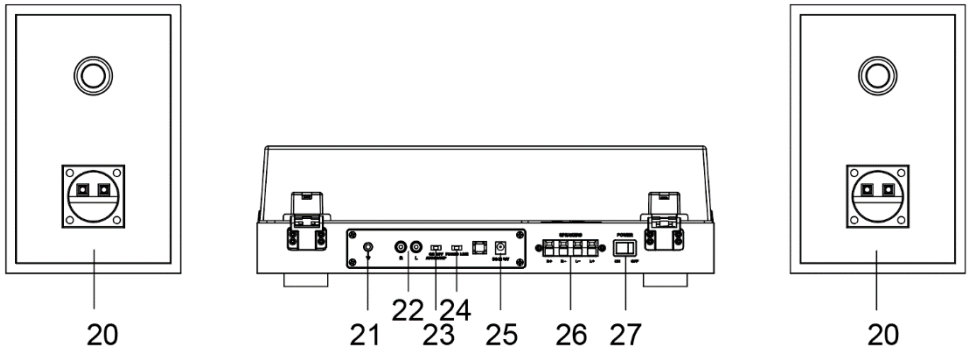
- *Design and specifications are subject to change without notice.*

Product Description



- 1. Hinge
- 2. Drive Pulley
- 3. Drive Belt
- 4. Turntable Spindle
- 5. Turntable Hub
- 6. Turntable Platter
- 7. Tonearm Lift
- 8. Tonearm Counterweight
- 9. Downforce Scale Dial

- 10. Anti-Skate Adjustment Dial
- 11. Tonearm Clip
- 12. Tonearm Rest
- 13. Cue Lever
- 14. Tonearm
- 15. Headshell
- 16. Mode Button
- 17. Function Indicator
- 18. Speed Selector
- 19. Volume Knob

**20. Speakers****21. Ground Connector****22. RCA Jacks****23. Auto-stop Switch****24. Phono/Line Switch****25. Power Jack****26. Spring clip speaker terminals****27. Power Switch**

Initial Setup

Essential Setup

1. Place the unit on a flat and level surface. The selected location should be stable and free from vibration.
2. Install the turntable lid to the hinges.
3. Remove the tie-wrap that is holding the tonearm.
4. Remove all packing material from underneath the turntable hub.
5. Install the turntable platter and drive belt accordingly.
6. Slide Tonearm Counterweight onto tonearm with the numbers facing the front of the turntable, and twist it lightly onto the rear shaft of the tonearm.
7. Adjust the counterweight to set proper stylus pressure.
8. Place the slip mat on top of the turntable platter.
9. Connect the power adaptor to the Power Jack of the unit.

Note: Do not plug the power adaptor to the power outlet before all the assembly is completed. Before turning the power on, make sure again all the connection settings are correct. Always turn off the power when connecting or disconnecting.

Turntable Platter and Belt Setup

1. Put the drive belt around the Turntable Hub, and then use the provided drive belt assembly tool to help pull the belt to fit around the slot of motor pulley.
2. Place the turntable platter through the turntable spindle.

Tonearm Counterweight Adjustment for Stylus Pressure

1. Remove the stylus protector from the cartridge and avoid touching the stylus tip during the adjustment.
2. Release the Tonearm Clip, gently hold the tonearm and move it away from the Tonearm Rest. At this point, the tone arm is unbalanced and free to swing.
3. Lift the Tonearm from its rest and gently hold it. The tone arm is unbalanced at this point.
4. Carefully rotate the Counterweight towards the front of the turntable until the tonearm is horizontally balanced and hovers freely just above the platter without the stylus touching the platter surface.
5. Return the tonearm to the Tonearm Rest and lock the Tonearm Clip.
6. While holding the counterweight steady without any rotation, rotate carefully only the Downforce Scale Dial until the "0" on the scale lines up with the centerline marked along the top of the tonearm.
7. Rotate the counterweight including the downforce scale dial counter-clockwise (as seen from the front of the turntable) to adjust the pressure to the stylus manufacturer recommendations.

Note:

- Each mark on the scale represents 0.05g (gram).
- The recommended pressure for the factory-installed cartridge is 3.5g.
- One full turn of the counterweight will provide a pressure 2.0g. In order to reach a stylus pressure that is greater than 2.0 g keep rotating the counterweight forward.

Stereo System Connection

RCA Jacks

- The RCA Jacks of this unit can be used as either Phono output jacks or Line output jacks. This is determined by using the Phono/Line Switch.
- To connect to active speakers, set Phono/Line switch to Line setting. To connect to a phono pre-amp or the phono input of a stereo system, set Phono/Line switch to Phono setting.
- The Red plug connects with the Right channel and the White plug connects with the Left channel.

Note:

- If the Phono/Line switch is set at LINE position but RCA jacks connected to the stereo system's phono input, the sound might be distorted due to input overload and could damage your stereo system.
- If the Phono/Line switch is set at PHONO position but RCA jack connected to the stereo system's line input, the volume will be very low due to lacking signal pre-amplification.
- RCA Jack is not designed to be connected directly to the passive/unpowered speakers and if it does, the volume will be very low.

Spring clip speaker terminals

To connect to the speakers included with this system or other passive speakers, connect one end of the speaker wire included with this package to the back of the

speakers and the other end to the Speaker Output Terminals. To do this, flip the spring clips to the open position, insert the speaker wire, and flip the spring clips to the closed position. Set the Phono/Line Switch to Line setting.

Turntable Operation

1. Press the Power Switch to turn on the power.
2. Press the Mode Button and select the Phono mode.
Note: The Function Indicator will be red
3. Set the Speed Switch accordingly.
4. Place the record on the turntable. Use the 45 RPM Adapter if necessary.
5. Remove the stylus protector from the stylus assembly.
Note: To avoid stylus damage, make certain the included stylus guard is in place whenever the turntable is being moved or cleaned.
6. Release the Tonearm Clip.
Note: when the turntable is not in use, remember to lock the Tonearm clip.
7. Use the Cue Lever to lift the tonearm.
8. Gently move the tonearm over the record where play is desired to begin. Set the Cue Lever back to the down position. The tonearm will descend slowly onto the record and begin to playback.
9. When the record is finished playing, use the Cue Lever again to raise the tonearm and then return it to the Tonearm Rest. Release the lever to let the tonearm sit back at its rest. To suspend the playback, repeat the same steps.
10. Lock the Tonearm Clip to secure the tonearm.

Anti-skate Adjustment

- A small outward “anti-skating” force can be applied to the tone arm to compensate for the “skating” force that pulls the arm toward the center of the record.
- For best performance during normal turntable usage, it is recommended to set the anti-skate control knob to the same value as indicated by the downforce scale dial.

Cartridge Replacement

1. Before replacement, put the stylus protector back on the stylus to prevent damage to the stylus during the replacement process.
2. Carefully remove the wire leads from the original cartridge.
3. Loosen the two screws on the headshell that are securing the cartridge and then remove the original cartridge.
4. Mount the new cartridge to the headshell and tighten it lightly. Do not completely tighten the screws at this moment.

5. Connect the wire leads to the new cartridge's terminals. The wire lead color codes are as below:

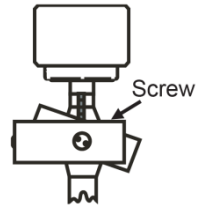
White	Left channel positive	(L+)
Black	Left channel negative	(L-)
Red	Right channel positive	(R+)
Black	Right channel negative	(R-)
6. Adjust the cartridge's position to make sure it is precisely aligned on the headshell so that the stylus will be tracking the grooves in parallel perfectly. To achieve this, place the included paper cartridge alignment protractor over the turntable spindle, carefully lift the tone arm and place the tip of the stylus on the points marked 130mm and 250mm respectively. Fine tune the cartridge's position on the headshell until the cartridge is perfectly in parallel with the reference lines at both points.
7. Tighten the screws completely once the perfect alignment is achieved.

Azimuth Adjustment

The needle must be perpendicular to the record groove in order to track the groove wall modulations correctly. In rare cases, if the factory installation is not perfect, you can make below adjustment:

1. Use an Allen Wrench to loosen the screw located at the bearing end of the tonearm just enough to loosen the arm tube.

Note: Do not remove the screw completely.
2. Gently rotate the tonearm until the needle is perpendicular to the record surface.

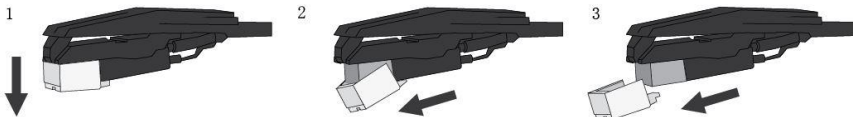


- Note: Make sure the needle tip is not touching the record when adjustment is being made or it will damage the needle and cantilever suspension.*
3. Tighten the screw when adjustment is finished.

Needle Replacement

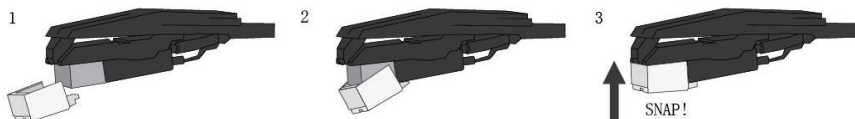
Removing Needle

1. Gently pull down the front edge of the needle.
2. Pull needle forward.
3. Pull out and remove.



Installing Needle

1. Position the needle with its tip facing down.
2. Line up the back of the needle with the cartridge.
3. Insert the needle with its front end at a downward angle and gently lift the front of the needle upward until it snaps into place.



Bluetooth Operation

1. Press the Mode Button and select Bluetooth mode.
Note: The function indicator will be flashing blue.
2. Turn on the Bluetooth feature of your audio device, search for “CROSLEY C72A” and pair.
3. Once your device is successfully paired with the unit, you will hear a short confirmation sound from the unit, and the function indicator will be blue.
4. Play and stream music from your device to the unit.

Note: Bluetooth version – 5.0

Turntable Maintenance

1. Do not touch the stylus tip with your fingers. Avoid bumping the stylus on the turntable mat or a record's edge.
2. Clean the stylus frequently with a soft brush with a back-to-front motion only.
3. Clean the records to get rid of dust or grease with a record cleaning brush and record cleaning solution.
4. Clean the turntable lid and turntable cabinet with a slightly dampened microfiber cloth.

Note: Do not use cleansers that contains alcohol, benzene or any other harsh chemicals, which might damage the paint and finish of the turntable.

**** Crosley offers a product line of different cleaning accessories. Please ask your retailer or check out our website www.crosleyradio.com for more cleaning product information.**

Troubleshooting

There is no power

- Power adaptor is not connected correctly.
- No power at the power outlet.
- To help save power consumption, some models will comply with ERP energy saving standard. When there is no audio input for 20 minutes, their powers will automatically cut-off. To turn power back on and resume playing, turn off the power and turn it on again.

Power is on, but the platter does not turn

- Turntable's drive belt is not installed or has slipped off.

Turntable is spinning, but there is no sound, or sound not loud enough

- Stylus protector is still on.
- Tone arm is lift up by the lever.

Record sounds too fast or too slow.

- Wrong speed selected for the record.

Strong hum on phono input

- The cable is not grounded correctly.

There is no sound

- Make sure the volume is turned up.
- Make sure the volume on your third party device is turned up.

FCC Statements

This device complies with part 15 of the FCC Rules. Operation is subject to the following two conditions:

- (1) This device may not cause harmful interference, and
- (2) this device must accept any interference received, including interference that may cause undesired operation.

Note: This equipment has been tested and found to comply with the limits for a Class B digital device, pursuant to part 15 of the FCC Rules. These limits are designed to provide reasonable protection against harmful interference in a residential installation. This equipment generates, uses and can radiate radio frequency energy and, if not installed and used in accordance with the instructions, may cause harmful interference to radio communications. However, there is no guarantee that interference will not occur in a particular installation. If this equipment does cause harmful interference to radio or television reception, which can be determined by turning the equipment off and on, the user is encouraged to try to correct the interference by one or more of the following measures:

- Reorient or relocate the receiving antenna.
- Increase the separation between the equipment and receiver.
- Connect the equipment into an outlet on a circuit different from that to which the receiver is connected.
- Consult the dealer or an experienced radio/TV technician for help.

Note: The Grantee is not responsible for any changes or modifications not expressly approved by the party responsible for compliance. such modifications could void the user's authority to operate the equipment.

The device has been evaluated to meet general RF exposure requirement.

To maintain compliance with FCC's RF exposure guidelines, the distance must be at least 20 cm between the radiator and your body, and fully supported by the operating and installation configurations of the transmitter and its antenna(s).

SIMPLIFIED EU DECLARATION OF CONFORMITY

Hereby, Modern Marketing Concepts Inc. dba Crosley Brands, declares that the radio equipment type is in compliance with Directive 2014/53/EU. The full text of the EU declaration of conformity is available at the following internet address:

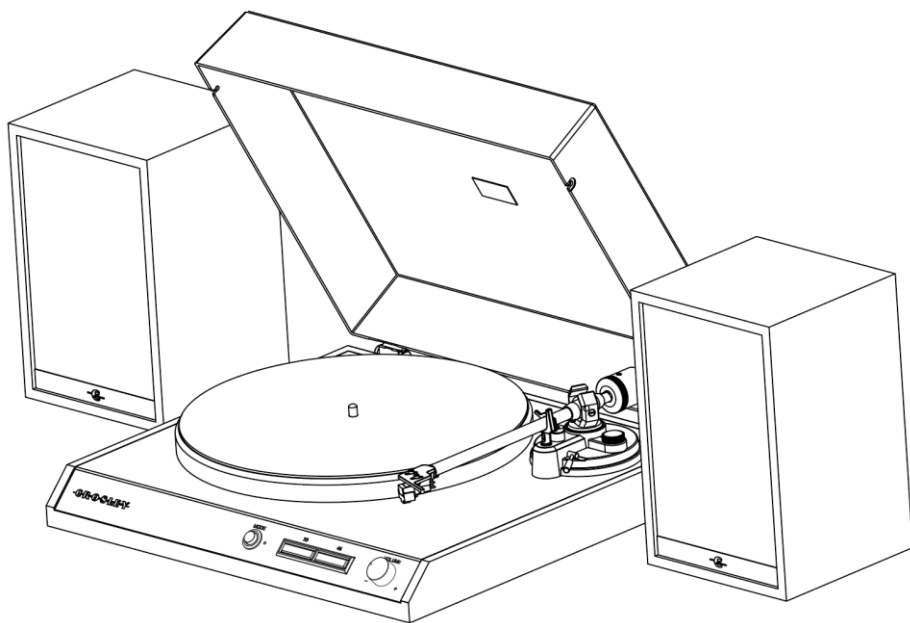
<http://crosleybrands.com/euDoC>



C72A-WA

Tocadiscos C72A

Manual de instrucciones



¿Tiene preguntas, ha tenido problemas o hay piezas faltantes?
Antes de devolver el producto a la tienda, comuníquese con nuestro Servicio al Cliente
de 8 a. m. a 6 p. m., hora del este, de lunes a viernes

1-888-CROSLEY

www.crosleyradio.com

Instrucciones de seguridad importantes

Lea y comprenda este manual en su totalidad antes de usar este producto. Conserve estas instrucciones para consultarlas en el futuro.

1. No use este producto cerca del agua.
2. Este producto debe ser utilizado solo con el tipo de fuente de alimentación indicado en la etiqueta o en este manual de instrucciones.
3. No subestime el propósito de seguridad del enchufe polarizado. Un enchufe polarizado posee dos hojas; una de ellas es más ancha que la otra. Este enchufe encajará en el tomacorriente en un solo sentido. Si no logra insertar completamente el enchufe en el tomacorriente, pruebe invirtiendo el enchufe. Si aún así el enchufe no encaja, comuníquese con su electricista.
4. Proteja el cable de alimentación de ser pisado o pinzado, en especial en los enchufes, los tomacorrientes y en el punto donde el cable sale del producto.
5. No sobrecargue los tomacorrientes de pared, cables de alargue, o receptáculos integrales, ya que puede generar un riesgo de incendio o descarga eléctrica.
6. No introduzca objetos de ningún tipo en el producto a través de las ranuras, ya que pueden hacer contacto con puntos de alto voltaje o provocar un cortocircuito que ocasione fuego o una descarga eléctrica. No derrame líquidos de ningún tipo sobre el producto.
7. No intente realizar tareas de mantenimiento por su cuenta, ya que abrir o remover la cubierta puede exponerlo a un voltaje peligroso y a otros riesgos. Deje toda tarea de mantenimiento en manos de un técnico de servicio calificado.
8. Los cambios o las modificaciones que no tengan la aprobación expresa de la parte responsable del cumplimiento pueden anular el permiso del usuario para utilizar el equipo.
9. No utilice accesorios que no son recomendados por los fabricantes del producto porque pueden ser peligrosos.
10. Cualquier combinación de carro y producto debe moverse con cuidado. Las paradas súbitas, el uso de fuerza excesiva y las superficies irregulares pueden causar que el producto y el carro se vuelquen.
11. Las ranuras de ventilación y las aberturas del gabinete son provistas para la ventilación y para asegurar el correcto funcionamiento del producto y evitar el recalentamiento. No bloquee ni cubra estas aberturas.
12. Desconecte el producto durante las tormentas eléctricas o cuando no se utilice durante períodos extendidos.

Artículos en este empaque

Antes de deshacerse de cualquier material del empaque, revíselo con atención y asegúrese de encontrar los siguientes artículos que se incluyen en este paquete:

- Tocabiscos
- Tapa de tocadiscos
- Cobertor deslizante del tocadiscos
- Bandeja del tocadiscos
- Contrapeso del brazo del tocadiscos
- Transportador de alineación de la cápsula
- Transformador
- Adaptador de 45 RPM
- Cable RCA
- Altavoces
- Cable de altavoz x 2

Comuníquese con el Servicio al Cliente de Crosley en caso de que faltara algún accesorio en el empaque. **Conserve el material de embalaje original para realizar cambios o devoluciones.**

Especificaciones

Crosley C72A

Fuente de energía	Transformador de CA, salida CC de 15V 2.4 A
Consumo de energía	50W
Altavoces	
De agudos	8 Ω 10W x 2
De graves	4 Ω 30W x 2
Velocidad del tocadiscos	33 $\frac{1}{3}$, 45 RPM
Variación de velocidad	\pm 1.5 %
Fluctuación y trémulo	\leq 0.15 %
Señal a ruido	72 dB
Rango de fuerza descendente	3.0 – 4.3g
Longitud efectiva del brazo del tocadiscos	8,74" (222 mm)
Voladizo	0,75"
Dimensiones del producto (P x A x D) abierta 16.46" x 15.46" x 15.31"	16.46" x 5.04" x 15.31", con la tapa
Peso	21.60 lbs

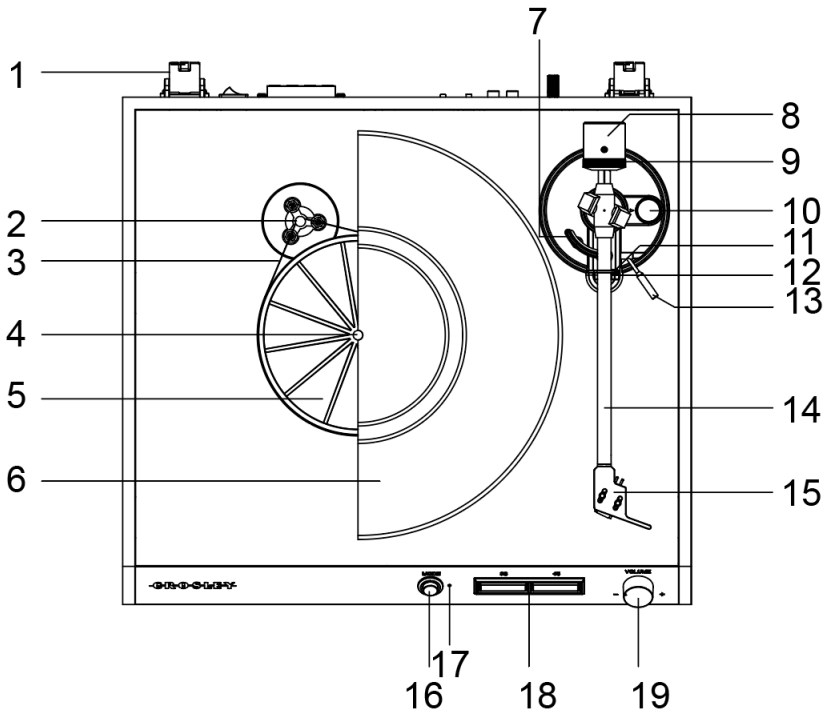
Aguja: Crosley NP-5

Respuesta de frecuencia	20 Hz – 20 kHz
Balance de canal	<2.5 dB
Separación de canal	>18 dB
Voltaje de salida	2.5 mV
Resistencia de carga recomendada	47 k Ω
Conexión del amplificador	MM –entrada
Presión de rozamiento recomendada	3.5 \pm 0.5g
Peso	0.18 oz

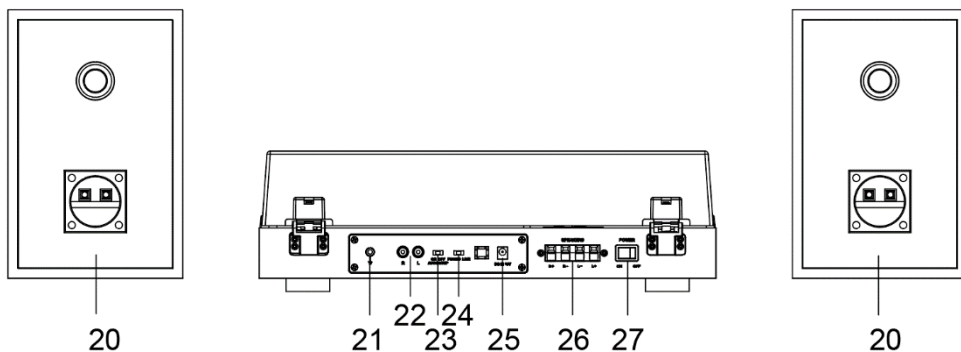
Nota:

- *El diseño y las especificaciones están sujetos a cambios sin previo aviso.*

Descripción del producto



- | | |
|--|--------------------------------------|
| 1. Bisagra | 11. Broche de sujeción |
| 2. Polea de accionamiento | 12. Soporte del brazo del tocadiscos |
| 3. Correa de transmisión | 13. Palanca de indicación |
| 4. Eje del tocadiscos | 14. Brazo del tocadiscos |
| 5. Concentrador del tocadiscos | 15. Portacápsula |
| 6. Bandeja del tocadiscos | 16. Botón de Modo |
| 7. Elevador del brazo del tocadiscos | 17. Indicador de Funciones |
| 8. Contrapeso del brazo del tocadiscos | 18. Interruptor de velocidad |
| 9. Dial de fuerza descendente | 19. Perilla de volume |
| 10. Dial de ajuste antirresbalamiento | |



20. Altavoces

21. Conector a tierra

22. Conectores RCA

23. Interruptor de detención automática

24. Interruptor para Fono/Línea

25. Conector de alimentación

26. Terminales de parlantes con conector de broche elástico

27. Interruptor de alimentación

Instalación inicial

Instalación indispensable

1. Coloque la unidad en una superficie plana y nivelada. El lugar seleccionado debe ser estable y estar libre de vibraciones.
2. Instale la tapa del tocadiscos en las bisagras.
3. Quite la banda de sujeción que sostiene el brazo del tocadiscos.
4. Retire todo el material de embalaje de debajo del cubo del plato giratorio.
5. Instale la bandeja del tocadiscos y la correa de transmisión según corresponda.
6. Deslice el Contrapeso del brazo del tocadiscos hacia este último con los números mirando hacia el frente del plato giratorio y gírelo suavemente hacia el mango posterior del brazo del tocadiscos.
7. Ajuste el contrapeso para establecer la presión adecuada en la aguja fonográfica.
8. Coloque el cobertor deslizante sobre la bandeja del tocadiscos.
9. Conecte el adaptador de corriente al conector de alimentación de la unidad.

Nota: No enchufe el transformador de a un tomacorriente hasta terminar de ensamblar las partes. Antes de encender el equipo, vuelva a asegurarse de que todos los ajustes de conexión estén correctos. Siempre apague la unidad al conectarla o desconectarla.

Instalación de la bandeja y la correa del tocadiscos

1. Coloque la correa de transmisión alrededor de la bandeja pequeña que está conectada al eje del tocadiscos y luego use la herramienta de ensamblaje de la correa que se proporciona para tirar de la correa, de manera que encaje alrededor de la ranura de la pulea de motor.

2. Coloque la bandeja del tocadiscos a través del eje.

Ajuste del Contrapeso del brazo del tocadiscos para la Presión de la aguja fonográfica

1. Quite el protector de la aguja fonográfica de la cápsula y evite tocar la punta de la aguja fonográfica durante el ajuste.
2. Suelte broche de sujeción del brazo del tocadiscos, sostenga suavemente el brazo y aléjelo del Soporte del brazo. En este momento, el brazo del tocadiscos está desequilibrado y puede balancearse libremente
3. Levante el brazo del tocadiscos de su soporte y sosténgalo suavemente. El brazo del tocadiscos está desequilibrado en este momento.
4. Gire con cuidado el contrapeso hacia la parte delantera del tocadiscos hasta que el brazo esté equilibrado en sentido horizontal y se mueva libremente sobre la bandeja sin que la aguja fonográfica toque la superficie del disco.
5. Vuelva a colocar el brazo del tocadiscos en el soporte del brazo y trabe el Broche de sujeción.
6. Mientras el contrapeso se mantenga estable sin girar, gire con cuidado solamente el Dial de fuerza descendente hasta que el "0" en el dial esté alineado con la línea central marcada en la parte superior del brazo del tocadiscos.
7. Gire el contrapeso junto con el dial de fuerza descendente en sentido antihorario (si se mira desde la parte delantera del tocadiscos) para ajustar la presión según las recomendaciones del fabricante de la aguja fonográfica.

Nota:

- Cada marca en la escala representa 0.05 g (gramo).
- La presión recomendada para la cápsula instalada de fábrica es de 3.5 g.
- Una vuelta completa del contrapeso proporcionará una presión de 2.0 g. Para alcanzar una presión de aguja mayor a 2.0 g, continúe girando el contrapeso hacia adelante.

Conexión del sistema estéreo

Conectores RCA

- Los conectores RCA de esta unidad se puede utilizar como tomas de salida Phono o tomas de salida de línea. Esto se determina utilizando el conmutador Phono / Line.
- Para conectarse a altavoces activos, coloque el interruptor Phono / Line en la configuración Line. Para conectar un preamplificador phono o la entrada phono de un sistema estéreo, ajuste el interruptor Phono / Line en la configuración Phono
- El cable rojo se conecta en el canal derecho, y el cable blanco se conecta en el canal izquierdo.

Nota:

- Si el Interruptor para Fono/Línea se ajusta en la posición LÍNEA pero los conectores RCA están conectados a la entrada fono del sistema estéreo, es posible que el sonido se distorsione debido a la sobrecarga de entradas y esto podría dañar su sistema estéreo.

- Si el interruptor para Fono/Línea está en la posición FONO pero el conector RCA está conectado a la entrada de línea del sistema estéreo, el volumen será muy bajo debido a la falta de preamplificación de la señal.
- Los conectores RCA no están diseñados para conectarse directamente a parlantes pasivos y, si se los conecta, el volumen será muy bajo.

Terminales de parlantes con conector de broche elástico

Para conectar los altavoces incluidos con este sistema u otros altavoces pasivos, conecte un extremo del cable de altavoz incluido con este paquete a la parte posterior de los altavoces y el otro extremo a los terminales de salida de altavoz. Para hacer esto, gire los clips de resorte a la posición abierta, inserte el cable del altavoz y gire los clips de resorte a la posición cerrada. Establezca el conmutador Phono / Line en la configuración Line.

Funcionamiento del tocadiscos

1. Presione el interruptor de alimentación para encenderlo.
2. Pulse el botón Mode y seleccione el modo Phono.
Nota: el indicador de función estará rojo
3. Ajuste el Interruptor de velocidad según corresponda.
4. Coloque el disco en el tocadiscos. De ser necesario, utilice el Adaptador de 45 rpm.
5. Quite el protector de la aguja fonográfica de su ensamblaje.
Nota: Para evitar los daños de la aguja fonográfica, asegúrese de que el protector esté ubicado correctamente cada vez que mueva o limpie el tocadiscos.
6. Suelte el Broche de sujeción del tocadiscos.
Nota: Cuando el tocadiscos no se utilice, recuerde volver a trabar el broche de sujeción.
7. Use la Palanca del brazo del tocadiscos para levantar el brazo.
8. Mueva suavemente el brazo del tocadiscos sobre el disco en la parte que desea comenzar a reproducir. Ajuste la Palanca del brazo del tocadiscos de vuelta a la posición hacia abajo. El brazo bajará lentamente hacia el disco y se comenzará a reproducir.
9. Cuando el disco termine de reproducirse, utilice la Palanca del brazo del tocadiscos una vez más para levantar el brazo y volver a colocarlo en el Soporte del brazo. Suelte la palanca para permitir que el brazo vuelva a apoyarse sobre su soporte. Para suspender la reproducción, siga los mismos pasos.
10. Trabe el Broche del brazo del tocadiscos para asegurarlo.

Ajuste antirresbalamiento

- Es posible aplicar una pequeña fuerza centrífuga "antirresbalamiento" al brazo del tocadiscos para compensar las fuerzas de "resbalamiento" que tiran el brazo hacia el centro del disco.
- Para lograr un mejor rendimiento durante el uso normal del tocadiscos, se recomienda ajustar la perilla de control antirresbalamiento al mismo valor que el que indica el dial de fuerza descendente.

Reemplazo de la cápsula

1. Antes de realizar un reemplazo, vuelva a colocar el protector de la aguja fonográfica en la aguja para evitar que se dañe durante el proceso.
2. Con cuidado quite los cables conductores de la cápsula original.
3. Afloje los dos tornillos del portacápsula que aseguran la cápsula y luego quite la cápsula original.
4. Coloque la cápsula nueva en el portacápsula y apriétela ligeramente. No apriete por completo los tornillos en este momento.
5. Conecte los cables a las terminales de la nueva cápsula. Los códigos de color de los cables son los siguientes:

Blanco	Canal izquierdo positivo	(L+)
Negro	Canal izquierdo negativo	(L-)
Rojo	Canal derecho positivo	(R+)
Negro	Canal derecho negativo	(R-)

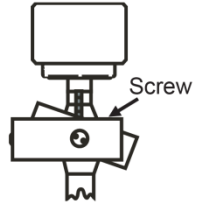
6. Ajuste la posición de la cápsula para asegurarse de que esté alineada al portacápsula con precisión, de modo que la aguja fonográfica ejerza un rozamiento en paralelo a las ranuras.

Para lograrlo, coloque el transportador de alineación de la cápsula de papel que se incluye sobre el eje del tocadiscos. Con cuidado levante el brazo del tocadiscos y coloque la punta de la aguja fonográfica en los puntos que indican 130 mm y 250 mm, respectivamente. Configure la posición de la cápsula en el portacápsula hasta que la cápsula se encuentre exactamente paralela a las líneas de referencia en los dos puntos.

7. Apriete los tornillos completamente una vez que logre una alineación perfecta.

Ajuste acimut

La aguja debe estar perpendicular a la ranura del disco para que pueda rozar las modulaciones de la pared ranurada de manera correcta. En casos excepcionales, si la instalación de fábrica no es perfecta, usted puede realizar el siguiente ajuste:



1. Use una llave Allen provista para aflojar el tornillo que se ubica en el extremo de soporte del brazo del tocadiscos lo suficiente para que se afloje el tubo del brazo.

Nota: No quite el tornillo por completo.

2. Gire suavemente el brazo del tocadiscos hasta que la aguja esté perpendicular a la superficie del disco.

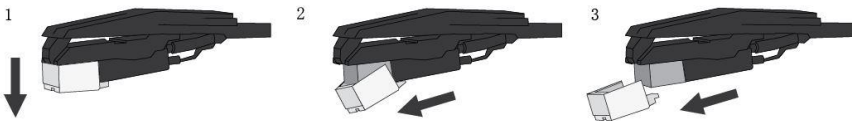
Nota: Asegúrese de que la punta de la aguja no esté en contacto con el disco al realizar ajustes; de lo contrario, podría dañar la aguja y la suspensión del soporte.

3. Ajuste el tornillo al finalizar el ajuste.

Reemplazo de la aguja

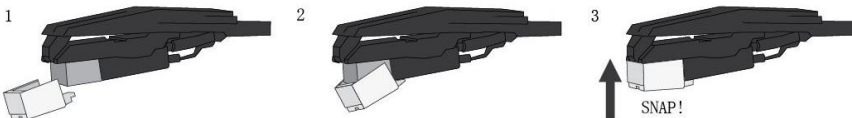
Quitar la aguja

1. Tire del borde delantero de la aguja con suavidad.
2. Tire la aguja hacia adelante.
3. Tire hacia fuera y quítela.



Instalar la aguja

1. Coloque la aguja de manera tal que la punta quede hacia abajo.
2. Alinee la parte trasera de la aguja con la cápsula.
3. Introduzca la aguja con el extremo delantero en un ángulo descendente y suavemente levante la parte delantera de la aguja hacia arriba hasta que se traben en su lugar.



Funcionamiento de Bluetooth

1. Pulse el botón Mode y seleccione el modo Bluetooth.

Nota: El Indicador de función parpadeará en azul.

2. Active la conexión de Bluetooth en el dispositivo de audio, busque "CROSLEY C72A" y conéctelo.
3. Una vez que el dispositivo quede conectado correctamente, la unidad emitirá un sonido corto de confirmación, y el indicador de función será azul.
4. Reproduzca música en forma inalámbrica desde el dispositivo hacia la unidad.

Nota: Versión de Bluetooth – 5.0

Mantenimiento del tocadiscos

1. No toque la punta de la aguja fonográfica con los dedos. Evite golpear la aguja fonográfica con el cobertor para el tocadiscos o con el borde del disco.
2. Limpie la aguja fonográfica con frecuencia con un cepillo suave mediante movimientos de atrás hacia adelante.
3. Limpie los discos para quitarles el polvo o la grasa con un cepillo para limpiar discos y con una solución de limpieza para discos.
4. Limpie la tapa del tocadiscos y el gabinete con un paño de microfibras ligeramente humedecido.

Nota: No utilice otros limpiadores que contengan alcohol, benceno o cualquier otro químico agresivo que pueda dañar la pintura y la terminación del tocadiscos.

**** Crosley ofrece una línea de productos de distintos accesorios de limpieza. Para obtener más información acerca de los productos de limpieza, consulte a un comerciante o visite nuestro sitio web www.crosleyradio.com.**

Solución de problemas

La unidad no enciende.

- El transformador no está conectado correctamente.
- No hay energía en el tomacorriente.
- Con el fin de ahorrar en el consumo de energía, algunos modelos cumplirán con el estándar de ahorro de energía ERP (productos relacionados con la energía). En el caso de que no se produzca la entrada de audio durante 20 minutos, estos equipos se desactivarán automáticamente. Para volver a encender la unidad y reanudar la reproducción, apáguela y vuelva a encenderla.

El equipo está encendido pero la bandeja no gira.

- La correa de transmisión del tocadiscos no se ha colocado o se ha salido.

El tocadiscos gira pero no emite sonidos o los sonidos no son lo suficientemente fuertes.

- El protector de la aguja fonográfica aún está colocado.
- La palanca levanta el brazo del tocadiscos.

El disco se reproduce demasiado rápido o demasiado lento.

- Está seleccionada la velocidad incorrecta para el disco.

Fuerte zumbido en la entrada fonográfica

- El cable no está conectado a tierra correctamente.

No hay sonido

- Asegúrese de que el volumen esté alto.
- Asegúrese de que el volumen de su dispositivo de terceros esté activado.

Declaraciones de la FCC

Este dispositivo cumple con la Sección 15 de las reglas de la Comisión Federal de Comunicaciones (FCC). El uso de este equipo está sujeto a las dos condiciones siguientes:

- (1) Este dispositivo no causa interferencia perjudicial y
- (2) este dispositivo debe aceptar cualquier interferencia recibida, incluso interferencia que pueda causar un funcionamiento no deseado.

Nota: Este equipo se verificó y se comprobó que cumple con los límites para un dispositivo digital clase B, conforme a la Sección 15 de las reglas de la Comisión Federal de Comunicaciones (FCC). Estos límites están diseñados para brindar una protección razonable frente a interferencia perjudicial en un establecimiento residencial. Este equipo genera, usa y puede irradiar energía de radiofrecuencia y, si no se instala y utiliza siguiendo las instrucciones, puede causar interferencia perjudicial a las radiocomunicaciones. Sin embargo, no existe garantía de que la interferencia no ocurrirá en una instalación en particular. Si este equipo causa interferencia perjudicial a las radiocomunicaciones o a la recepción televisiva, lo que se puede determinar al encender y apagar el equipo, se recomienda que el usuario intente corregir la interferencia mediante una o más de las siguientes medidas:

- Reorientar o reubicar la antena de recepción.
- Aumentar la separación entre el equipo y el receptor.
- Conectar el equipo a una toma en un circuito diferente del circuito en el que está conectado el receptor.
- Consultar al proveedor o a un técnico con experiencia en radio/TV para obtener ayuda.

Nota: El Beneficiario no es responsable de cualquier cambio o modificación que no tenga la aprobación expresa de la parte responsable del cumplimiento. Estas modificaciones podrían anular la autoridad del usuario para operar el equipo.

El dispositivo ha sido evaluado para cumplir con el requisito general de exposición a RF.

Para mantener el cumplimiento de las pautas de exposición a RF de la FCC, la distancia debe ser de al menos 20 cm entre el radiador y su cuerpo, y debe estar totalmente soportada por las configuraciones de instalación y operación del transmisor y su(s) antena(s).

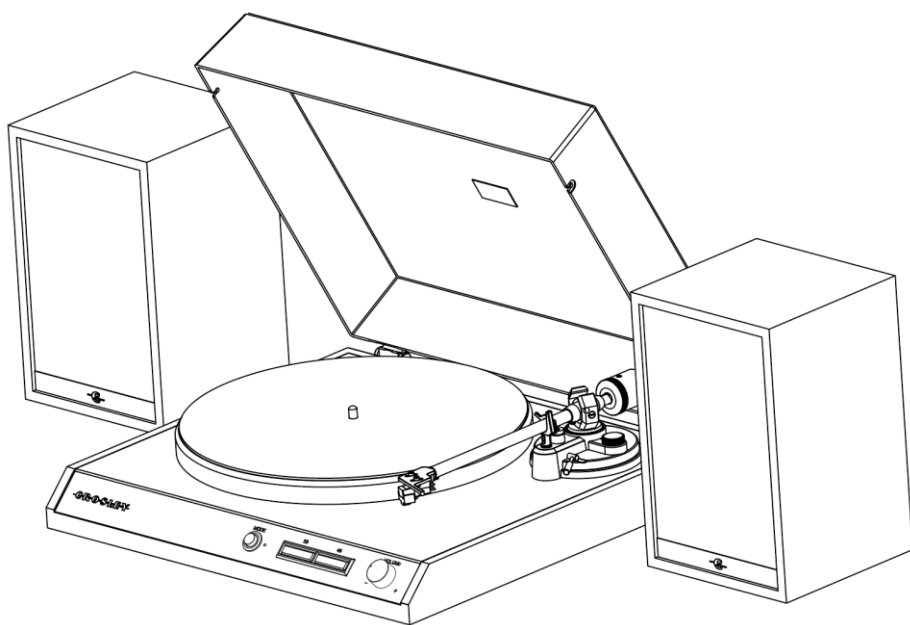
DECLARACIÓN DE CONFORMIDAD SIMPLIFICADA DE EU

Por la presente, Modern Marketing Concepts Inc., que opera bajo la denominación comercial de Crosley Brands, declara que el tipo de equipo de radio cumple con la Directiva 2014/53/UE. El texto completo de la declaración de conformidad de la UE está disponible en la siguiente dirección de Internet:

<http://crosleybrands.com/euDoC>



C72A-WA
Tourne-disque C72A
Manuel d'utilisation



Des questions, problèmes, pièces manquantes?
Avant de retourner au magasin, appelez le service à la clientèle
De 8 h à 18 h, HNE, du lundi au vendredi
1-888-CROSLLEY
www.crosleyradio.com

Instructions de sécurité

Veillez lire et comprendre l'intégralité de ce manuel avant d'utiliser ce produit. Conservez ces instructions pour pouvoir les consulter ultérieurement.

1. Ne pas utiliser ce produit près de l'eau.
2. Ce produit doit être alimenté uniquement par le type de source d'alimentation indiqué sur l'étiquette ou dans le présent manuel d'utilisation.
3. Ne pas tenter de modifier le dispositif de sécurité que constitue la fiche polarisée. Une fiche polarisée a deux lames, l'une étant plus large que l'autre. Cette fiche peut être insérée dans une prise électrique d'une seule façon. S'il est impossible d'insérer la fiche complètement dans la prise, inverser la fiche. Si la fiche ne peut toujours pas s'insérer entièrement, contacter un électricien.
4. Faire en sorte que personne ne marche sur le cordon d'alimentation ou que ce dernier ne soit pas pincé, notamment au niveau des fiches, des prises murales et du point de sortie du produit.
5. Ne pas surcharger les prises murales, cordons de rallonge ou prises de courant intégrales, car cela pourrait entraîner un risque d'incendie ou de décharge électrique.
6. Ne jamais pousser d'objets, quelle que soit leur nature, dans les ouvertures, car ils pourraient toucher des points de tension dangereux ou court-circuiter des pièces, ce qui pourrait entraîner un incendie ou une décharge électrique. Ne jamais renverser de liquide, quelle qu'en soit la nature, sur le produit.
7. Ne pas tenter de réparer ce produit vous-même, car couvrir ou ôter des couvercles pourrait vous exposer à une tension dangereuse ou à d'autres dangers. Faire appel à une personne qualifiée pour toutes les réparations.
8. Les changements ou les modifications non approuvés expressément par la partie responsable de la conformité pourraient annuler le droit de l'utilisateur de faire fonctionner le matériel.
9. Ne pas utiliser d'accessoires non recommandés par le fabricant du produit, car ils pourraient causer des dommages.
10. Il est important de déplacer avec prudence le produit s'il se trouve sur un chariot. Les arrêts brusques, une force excessive et les surfaces inégales peuvent entraîner le retournement du produit sur un chariot.
11. Des fentes et ouvertures sont présentes dans le boîtier pour la ventilation, pour assurer un fonctionnement fiable du produit et pour le protéger d'une surchauffe. Ne pas bloquer ou couvrir ces ouvertures.
12. Débrancher le produit pendant un orage ou lorsqu'il est inutilisé pendant une période prolongée.

Contenu de la trousse

Avant de jeter les emballages, veuillez les passer en revue minutieusement et vérifier que vous avez les éléments suivants fournis dans cette trousse :

- Tourne-disque
- Couvercle du tourne-disque
- Tapis antidérapant du tourne-disque
- Plateau du tourne-disque
- Contrepoids du bras de lecture
- Rapporteur d'alignement pour cartouche
- Adaptateur d'alimentation
- Adaptateur 45 tours
- Câble RCA
- Haut-parleurs
- Fil de haut-parleur x 2

Veuillez contacter le service à la clientèle de Crosley s'il manque des accessoires dans la trousse. **Conservez les emballages d'origine pour procéder à un échange ou à un retour.**

Spécifications

Crosley C72A

Puissance	Adaptateur c.a., sortie c.c. 15V 2,4 A
Consommation d'énergie	50W
Haut-parleurs	
Haut-parleur d'aigus	8Ω 10W x 2
Haut-parleur de graves	4Ω 30W x 2
Vitesse du tourne-disque	33 ¹ / ₃ , 45 tr/min
Variation de la vitesse	±1,5 %
Fluctuations	≤0,15 %
Rapport signal/bruit	72 dB
Force de portance négative	3.0 – 4.3g
Longueur effective du bras de lecture	8,74 po (222 mm)
Surplomb	0,75 po
Dimension du produit (L x H x P)	16,46 po x 5,04 po x 15,31 po;
couvercle ouvert : 16,46 po x 15,46 po x 15,31 po	
Poids	21,60 lbs

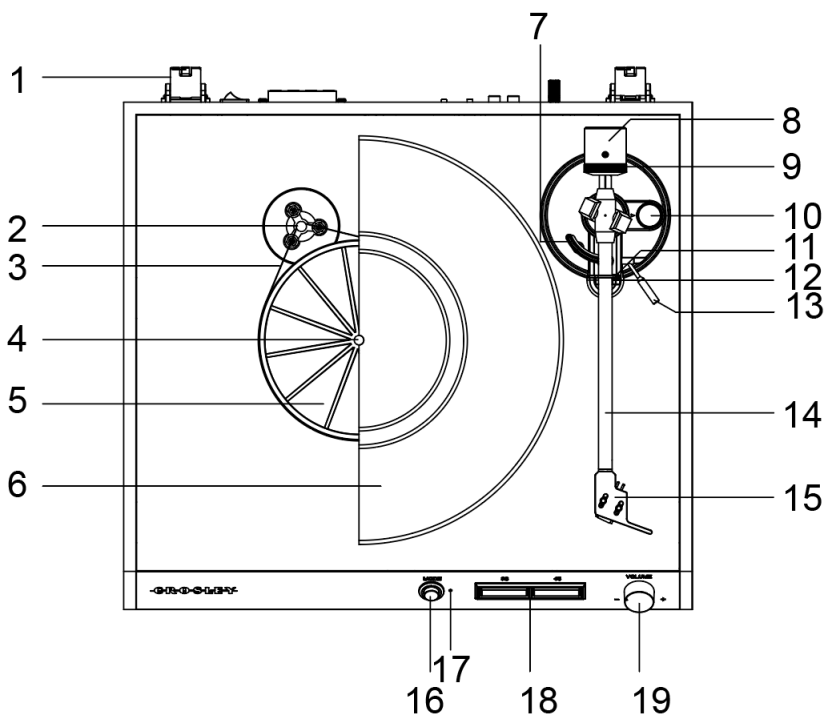
Aiguille : Crosley NP-5

Réponse de fréquence	20 Hz à 20 kHz
Équilibre des canaux	< 2.5dB
Séparation des canaux	> 18dB
Tension de sortie	2.5 mV
Résistance de charge recommandée	47 kΩ
Connexion amplificateur	Entrée MM
Pression de lecture recommandée	3.5±0.5g
Poids	0,18 oz (5 g)

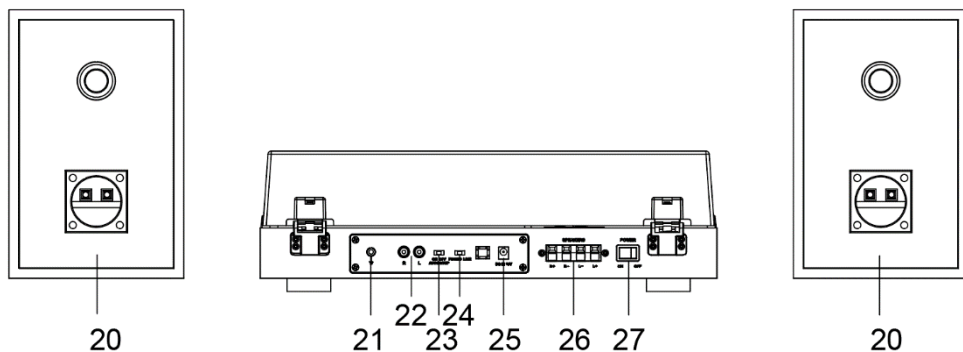
Remarque :

- *La conception et les spécifications sont sujettes à modification sans préavis.*

Description du produit



- | | |
|--|---|
| 1. Charnière | 10. Balance à cadran de la force de portance négative |
| 2. Poulie d'entraînement | 11. Attache de retenue |
| 3. Courroie d'entraînement | 12. Support du bras de lecture |
| 4. Axe du tourne-disque | 13. Levier du lève-bras |
| 5. Plateau d'entraînement du tourne-disque | 14. Bras de lecture |
| 6. Plateau du tourne-disque | 15. Porte-cellule |
| 7. Lève-bras | 16. Bouton Mode |
| 8. Contrepoids du bras de lecture | 17. Voyant Fonction |
| 9. Disque gradué de la force d'appui | 18. Sélecteur de Vitesse |
| | 19. Bouton de volume |



- | | |
|---|--|
| 20. Haut-parleurs | 25. Prise d'alimentation |
| 21. Entrée de mise à la terre | 26. Bornes des haut-parleurs avec attache à ressort |
| 22. Prises RCA | 27. Interrupteur d'alimentation |
| 23. Commutateur d'arrêt automatique | |
| 24. Commutateur Phono/Line (Phono/ligne) | |

Configuration initiale

Configuration de base

1. Placez l'appareil sur une surface plane. L'emplacement choisi doit être stable et sans vibration.
2. Installez le couvercle du tourne-disque sur les charnières.
3. Retirez l'attache qui retient le bras de lecture.
4. Retirez tout le matériel d'emballage situé sous le moyeu de la plaque tournante.
5. Installez comme il se doit le plateau du tourne-disque et la courroie d'entraînement.
6. Faites glisser le contrepoids du bras de lecture sur le bras de lecture avec les chiffres face à l'avant du plateau tournant, et tournez-le légèrement sur l'axe arrière du bras de lecture.
7. Ajustez le contrepoids pour définir la pression appropriée du stylet.
8. Placez le tapis antidérapant sur le plateau du tourne-disque.
9. Branchez l'adaptateur secteur à la prise d'alimentation de l'appareil.

Remarque : Ne branchez pas l'adaptateur à la prise avant la fin du montage. Avant d'allumer l'appareil, vérifiez à nouveau que tous les paramètres des branchements sont corrects. Mettez toujours l'appareil hors tension lorsque vous effectuez ou supprimez des branchements.

Configuration du plateau du tourne-disque et de la courroie

1. Placez la courroie d'entraînement autour du petit plateau qui est relié à la broche du tourne-disque, puis utilisez l'outil de montage de la courroie d'entraînement fourni pour aider à tirer sur la courroie pour bien la placer autour de l'encoche de la poulie du moteur.
2. Passez le plateau du tourne-disque par la broche du tourne-disque.

Ajustement du contrepoids du bras de lecture pour la pression du stylet

1. Retirez la protection du stylet de la cartouche et évitez de toucher l'extrémité du stylet pendant l'ajustement.
2. Ouvrez l'attache de retenue du bras de lecture, maintenez doucement le bras de lecture et éloignez-le de son support. Le bras de lecture est alors déséquilibré et peut osciller librement.
3. Soulevez le bras de lecture de son support et tenez-le doucement. Le bras de lecture est alors déséquilibré.
4. Faites pivoter doucement le contrepoids vers l'avant du tourne-disque jusqu'à ce que le bras de lecture soit équilibré horizontalement et puisse se maintenir librement au-dessus du plateau sans que le stylet ne touche la surface.
5. Remplacez le bras de lecture sur le support du bras de lecture et verrouillez l'attache de retenue.
6. Tout en maintenant fermement le contrepoids sans le faire pivoter, tournez uniquement la balance à cadran de la force de portance négative avec précaution jusqu'à ce que le « 0 » inscrit sur l'échelle et la ligne de centre marquée le long du haut du bras de lecture soient alignées.
7. Faites pivoter le contrepoids, y compris la balance à cadran de la force de portance négative, dans le sens inverse des aiguilles d'une montre (comme vu depuis l'avant du tourne-disque) afin d'ajuster la valeur de pression du stylet conformément aux recommandations du fabricant.

Remarque :

- Chaque mesure de l'échelle correspond à 0,05 g (gramme).
- La pression recommandée pour la cartouche installée en usine est 3,5 g.
- Un tour complet du contrepoids fournira une pression de 2,0 g. Pour atteindre une pression du stylet supérieure à 2,0 g, continuez à faire tourner le contrepoids vers l'avant.

Branchement du système stéréo

Prises RCA

- Les prises RCA de cet appareil peut être utilisé comme prise de sortie phono ou prise de sortie ligne. Ceci est déterminé en utilisant le commutateur Phono/Line.
- Pour vous connecter aux haut-parleurs actifs, réglez le commutateur Phono/Line sur le paramètre Line. Pour vous connecter à un préampli phono ou à l'entrée phono d'un système stéréo, réglez le commutateur Phono/Line sur le réglage Phono.

- La prise rouge se branche sur le canal droit et la prise blanche se branche sur le canal gauche.

Remarque :

- Si le commutateur Phono/Line (Phono/ligne) est en position LINE (LIGNE), mais que les prises RCA sont branchées à l'entrée phono du système stéréo, le son peut être déformé à cause d'une surcharge de l'entrée et cela pourrait endommager votre système stéréo.
- Si le commutateur Phono/Line (Phono/ligne) est en position PHONO (PHONO), mais que la prise RCA est branchée à l'entrée ligne du système stéréo, le volume sera très bas à cause de l'absence de préamplification du signal.
- La prise RCA n'est pas conçue pour être branchée directement aux haut-parleurs passifs/qui ne sont pas sous tension, et si cela arrive, le volume sera très bas.

Bornes des haut-parleurs avec attache à ressort

Pour connecter les haut-parleurs inclus avec ce système ou d'autres haut-parleurs passifs, connectez une extrémité du fil de haut-parleur inclus avec cet emballage à l'arrière des haut-parleurs et l'autre extrémité aux bornes de sortie des haut-parleurs. Pour ce faire, retournez les pinces à ressort en position ouverte, insérez le fil du haut-parleur et retournez les pinces à ressort en position fermée. Réglez le commutateur Phono/Line sur le paramètre Line.

Utilisation du tourne-disque

1. Appuyez sur l'interrupteur d'alimentation pour mettre l'appareil sous tension.
2. Appuyez sur le bouton Mode et sélectionnez le mode Phono.
Remarque : L'indicateur de fonction sera rouge
3. Réglez le sélecteur de vitesse en conséquence.
4. Placez le disque sur le tourne-disque. Utilisez l'adaptateur 45 tours au besoin.
5. Retirez le protecteur du stylet.
Remarque : Pour éviter d'endommager le stylet, vérifiez que le protecteur de stylet inclus est bien en place lorsque vous déplacez ou nettoyez le tourne-disque.
6. Relâchez l'attache de retenue du bras de lecture.
Remarque : Lorsque vous n'utilisez pas le tourne-disque, n'oubliez pas de verrouiller à nouveau l'attache de retenue.
7. Utilisez le levier du bras de lecture pour soulever le bras de lecture.
8. Déplacez doucement le bras de lecture au-dessus du disque, là où vous souhaitez commencer la lecture. Abaissez le levier du bras de lecture. Le bras de lecture descendra doucement sur le disque et commencera la lecture.
9. Lorsque la lecture du disque est terminée, utilisez à nouveau le levier du bras de lecture pour soulever le bras de lecture et le remettre sur le support du bras de lecture. Relâchez le levier pour reposer le bras de lecture sur son support. Pour interrompre la lecture, répétez les mêmes étapes.
10. Verrouillez l'attache du bras de lecture pour retenir le bras de lecture.

Réglage de la fonction antidérapante

- Une petite force « antidérapante » externe peut être appliquée au bras de lecture pour compenser la force « dérapante » qui tire le bras vers le centre du disque.
- Pour obtenir une meilleure performance lors d'une utilisation normale du tourne-disque, il est recommandé de régler le bouton de commande de la fonction antidérapante sur la même valeur qu'indiquée par la balance à cadran de la force de portance négative.

Remplacement de la cartouche

1. Avant le remplacement, remettez en place la protection du stylet pour éviter d'endommager le stylet pendant le processus de remplacement.
2. Retirez soigneusement les fils métalliques de la cartouche d'origine.
3. Desserrez les deux vis de la coquille qui retiennent la cartouche, puis retirez la cartouche d'origine.
4. Montez la nouvelle cartouche sur la coquille et serrez-la légèrement. Ne serrez pas encore complètement les vis.
5. Branchez les fils métalliques sur les bornes de la nouvelle cartouche. Les codes de couleurs des fils métalliques sont comme suit :

Blanc	Canal gauche positif	(L+)
Noir	Canal gauche négatif	(L-)
Rouge	Canal droit positif	(R+)
Noir	Canal droit négatif	(R-)
6. Ajustez la position de la cartouche pour vous assurer qu'elle est bien alignée sur la coquille, afin que le stylet suive les sillons d'une manière parfaitement parallèle. Pour cela, placez le rapporteur d'alignement pour cartouche papier fourni sur la broche du tourne-disque, soulevez soigneusement le bras de lecture et placez l'extrémité du stylet sur les points marqués respectivement 130 mm et 250 mm. Ajustez la position de la cartouche sur la coquille jusqu'à ce que la cartouche soit parfaitement parallèle aux lignes de référence au niveau des deux points.
7. Serrez complètement les vis une fois que l'alignement parfait est obtenu.

Ajustement des azimuts

L'aiguille doit être perpendiculaire au sillon du disque afin de suivre correctement les modulations du flanc du sillon. Dans de rares cas, si l'installation en usine n'est pas parfaite, vous pouvez procéder à l'ajustement ci-dessous :

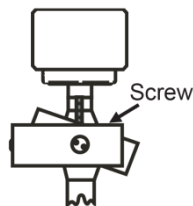
1. Utilisez une clé Allen fournie pour desserrer la vis située à l'extrémité de l'appui du bras de lecture, juste assez pour desserrer le tube du bras.

Remarque : Ne retirez pas complètement la vis.

2. Pivotez doucement le bras de lecture jusqu'à ce que l'aiguille soit perpendiculaire à la surface du disque.

Remarque : Vérifiez que l'extrémité de l'aiguille ne touche pas le disque lorsque vous effectuez l'ajustement, sinon cela risquerait d'endommager l'aiguille et la suspension en porte-à-faux.

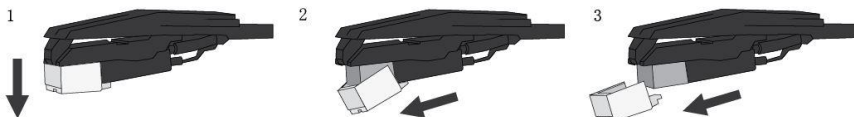
3. Serrez la vis lorsque les ajustements sont terminés.



Remplacement de l'aiguille

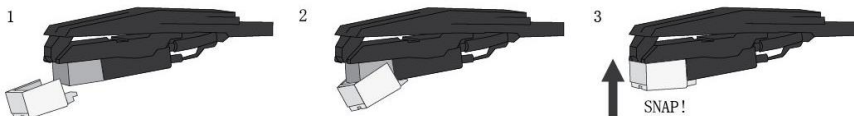
Retrait de l'aiguille

1. Tirez doucement vers le bas le bord avant de l'aiguille.
2. Tirez l'aiguille vers l'avant.
3. Tirez vers l'extérieur pour l'enlever.



Installation de l'aiguille

1. Positionnez l'aiguille avec son extrémité vers le bas.
2. Alignez l'arrière de l'aiguille avec la cartouche.
3. Insérez l'aiguille avec son extrémité avant à un angle descendant et soulevez doucement l'avant de l'aiguille vers le haut jusqu'à ce qu'il s'enclenche.



Utilisation du Bluetooth

1. Appuyez sur le bouton Mode et sélectionnez le mode Bluetooth.
Remarque : L'indicateur de fonction clignote en bleu.
2. Activez la fonction Bluetooth de votre appareil audio, recherchez « CROSLEY C72A » et associez l'appareil.
3. Une fois votre appareil associé à l'unité, celle-ci émettra un bref son de confirmation, et l'indicateur de fonction sera bleu.
4. Lire et diffuser de la musique en continu de votre appareil sur l'unité.

Remarque : Versions de Bluetooth – 5.0

Entretien du tourne-disque

1. Ne pas toucher l'extrémité du stylet avec vos doigts. Éviter de cogner le stylet sur le tapis du tourne-disque ou le bord du disque.
2. Nettoyer souvent le stylet avec une brosse douce dans un mouvement d'arrière vers l'avant uniquement.
3. Nettoyer les disques pour retirer la poussière ou la graisse avec une brosse de nettoyage pour disque et une solution nettoyante pour disque.
4. Nettoyer le couvercle du tourne-disque et le boîtier du tourne-disque avec un chiffon microfibre légèrement humide.

Remarque : Ne pas utiliser d'autre nettoyant contenant de l'alcool, du benzène ou tout autre produit chimique nocif qui pourrait endommager la peinture et la finition du tourne-disque.

**** Crosley propose toute une gamme d'accessoires de nettoyage. Veuillez contacter votre détaillant ou consulter notre site Web www.crosleyradio.com pour obtenir plus d'informations sur les produits de nettoyage.**

Dépannage

L'appareil ne s'allume pas

- L'adaptateur d'alimentation n'est pas branché correctement.
- Aucune alimentation au niveau de la prise électrique.
- Pour contribuer à économiser de l'énergie, certains modèles se conformeront à la norme d'économie d'énergie ERP (Energy-Related Products). En l'absence d'entrée audio pendant 20 minutes, l'alimentation se coupera automatiquement. Pour rétablir l'alimentation en courant et reprendre la lecture, éteignez l'appareil puis rallumez-le.

L'appareil est allumé, mais le plateau ne tourne pas

- La courroie d'entraînement du tourne-disque n'est pas installée ou a glissé.

Le tourne-disque tourne, mais il n'y a pas de son ou le son n'est pas suffisamment fort

- Le protecteur de stylet est toujours allumé.
- Le bras de lecture est levé par le levier.

Le disque tourne trop vite ou trop lentement

- Mauvaise vitesse sélectionnée pour le disque.

Fort bourdonnement sur l'entrée phono

- Le câble n'est pas correctement mis à la terre.

Il n'y a pas de son

- Assurez-vous que le volume est augmenté.
- Assurez-vous que le volume de votre appareil tiers est augmenté.

Déclarations relatives à la FCC

Cet appareil est conforme à la partie 15 des règles de la FCC. Son fonctionnement est assujéti aux deux conditions suivantes :

- (1) Cet appareil ne peut causer des interférences nuisibles et
- (2) cet appareil doit accepter toute interférence reçue, y compris celles susceptibles de causer un fonctionnement indésirable.

Remarque : Ce matériel a été testé et jugé en conformité avec les limites pour un appareil numérique de Classe B, conformément à la partie 15 des règles de la FCC. Ces limites ont été établies pour offrir une protection raisonnable contre l'interférence nuisible dans une installation résidentielle. Cet appareil produit, utilise et peut émettre de l'énergie de fréquence radio et, s'il n'est pas installé et utilisé conformément aux instructions, il peut provoquer de l'interférence nuisible aux communications radio. Toutefois, il n'existe aucune garantie qu'il n'y aura pas d'interférence dans une installation particulière. Si ce matériel cause de l'interférence nuisible à la réception radio ou de télévision, qui peut être déterminée en allumant et en éteignant le matériel, il est conseillé à l'utilisateur de tenter de remédier à l'interférence par l'un ou plusieurs des moyens suivants :

- Réorienter ou déplacer l'antenne de réception.
- Augmenter la distance entre le matériel et le récepteur.
- Brancher le matériel à une prise sur un circuit différent de celui du récepteur.
- Consulter le détaillant ou un technicien de radios ou de téléviseurs qualifié pour obtenir de l'aide.

Remarque : Le concessionnaire n'est pas responsable des modifications qui ne sont pas expressément approuvées par la partie responsable de la conformité. De telles modifications pourraient annuler l'autorité de l'utilisateur à utiliser l'équipement. L'appareil a été évalué pour respecter les exigences générales en matière d'exposition aux RF. Pour assurer la conformité aux directives de la FCC en matière d'exposition aux radiofréquences, la distance doit être d'au moins 20 cm entre le radiateur et votre corps et être entièrement soutenue par les configurations de fonctionnement et d'installation de l'émetteur et de ses antennes.

DÉCLARATION DE CONFORMITÉ DE L'EU SIMPLIFIÉE

Par la présente, Modern Marketing Concepts Inc. dba Crosley Brands déclare que le type d'équipement radio est conforme à la directive 2014/53/UE. Le texte intégral de la déclaration de conformité de l'UE est accessible à l'adresse Internet suivante.

<http://crosleybrands.com/euDoC>