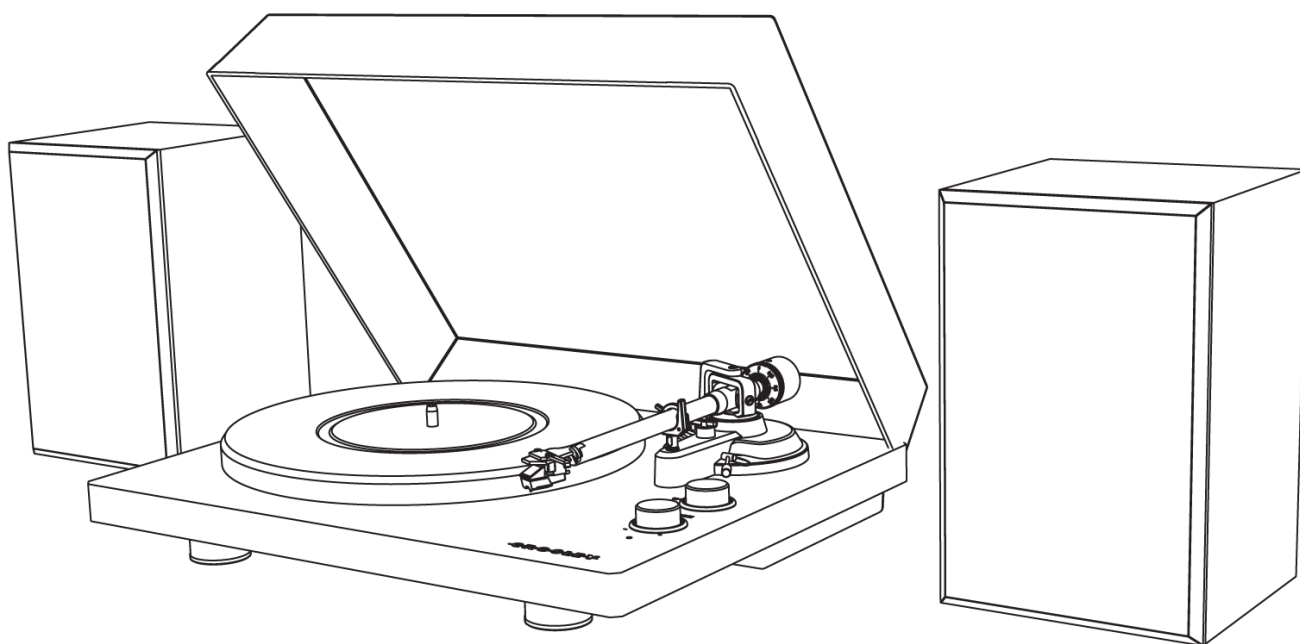


**C62A**  
**C62 Turntable**  
**Instruction Manual**

---



Questions, problems, missing parts?  
Before returning to the store, call Customer Service  
8 a.m. – 6 p.m., EST, Monday – Friday  
1-888-CROSLEY  
[www.crosleyradio.com/support](http://www.crosleyradio.com/support)

## Safety Instructions

---

Read and understand this entire manual before using this product. Keep these instructions for future reference.

1. Do not use this product near water.
2. This product should be operated only by the type of power source indicated on the marking label or in this instruction manual.
3. Do not defeat the safety purpose of the polarized plug. A polarized plug has two blades with one blade wider than the other. This plug will fit into the power outlet only one way. If you are unable to insert the plug fully into the outlet try reversing the plug. If the plug should still fail to fit, contact your electrician.
4. Protect the power cord from being walked on or pinched particularly at plugs, convenience receptacles, and the point where they exit from the product.
5. Do not overload wall outlets, extension cords, or integral convenience receptacles as this can result in a risk of fire or electric shock.
6. Never push objects of any kind into this product through openings as they may touch dangerous voltage points or short-out parts that could result in a fire or electric shock. Never spill liquid of any kind on the product.
7. Do not attempt to service this product yourself as opening or removing covers may expose you to dangerous voltage or other hazards. Refer all servicing to qualified service personnel.
8. Changes or modifications to this unit not expressly approved by the party responsible for compliance could void the user's authority to operate the equipment.
9. Do not use attachments not recommended by the product manufacturer as they may cause hazards.
10. A product and cart combination should be moved with care. Quick stops, excessive force, and uneven surfaces may cause the product and cart combination to overturn.
11. Slots and openings in the cabinet are provided for ventilation and to ensure reliable operation of the product and to protect it from overheating. Do not block or cover these openings.
12. Unplug the product during lightning storm or when unused for long periods of time.

## Items in this package

---

Before throwing away any packaging materials, please check thoroughly and make sure you find the following items that come along with this package:

- Turntable
- Turntable Lid
- Turntable Slip Mat
- Turntable Platter
- 45 RPM adapter
- Tonearm Counterweight
- Drive Belt
- Cartridge Alignment Protractor
- Power Adaptor
- Speakers
- Speaker Wire x 2

Please contact Crosley customer service if there is any accessory missing from the package. **Retain the original packaging materials for exchange or return purposes.**

## Specifications

---

### **Crosley C62A**

Power	AC power adaptor, DC output 15 V 2.4A
Power Consumption	70W
Speaker	8Ω 10W x 2
Turntable Speed	33 <sup>1</sup> / <sub>3</sub> , 45 RPM
Speed Variance	±1.5%
Wow and Flutter	≤ 0.15%
Signal to Noise	72 dB
Downforce Range	3.0-6.0g
Effective Tonearm Length	8.6" (218.5mm)
Overhang	0.73"
Product Dimensions(W x H x D)	16.46" x 4.84" x 13.62", with lid open 16.46" x 15.55" x 16.14"
Weight	21.69 lbs

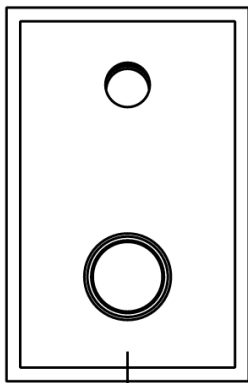
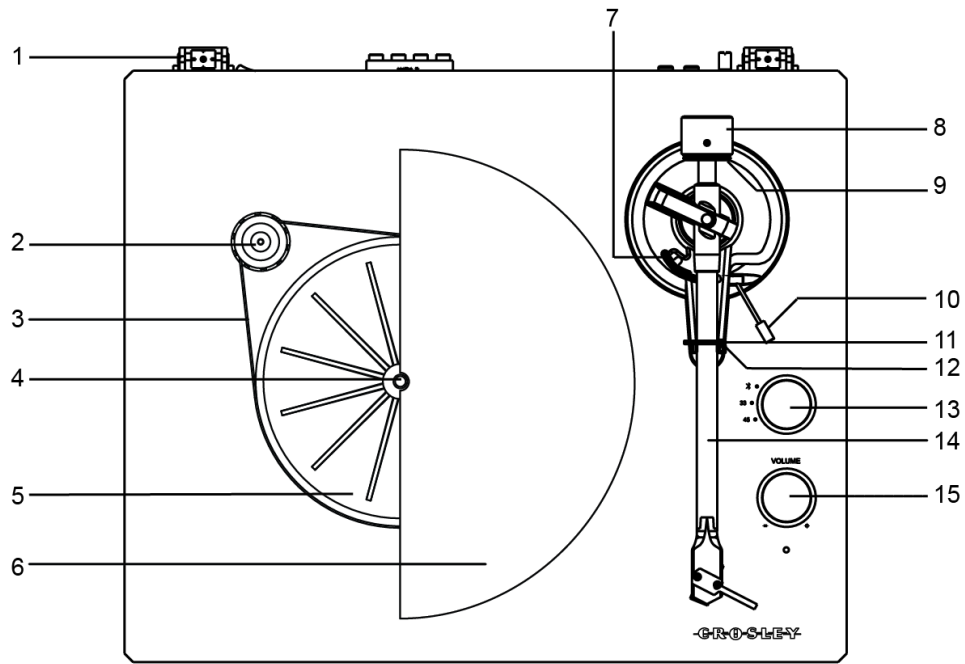
### **Needle: Crosley NP-5**

Frequency Response	20Hz – 20 kHz
Channel Balance	<2.5dB
Channel Separation	>18dB
Output Voltage	2.5mV
Recommended Load Resistance	47k Ω
Amplifier connection	MM –input
Recommended Tracking Pressure	3.5±0.5g
Weight	0.18oz

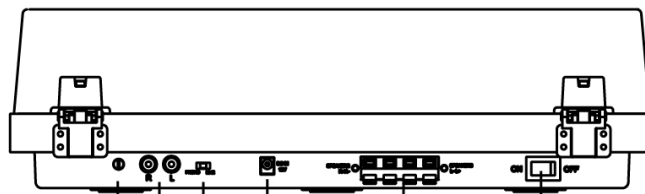
*Note:*

- *Design and specifications are subject to change without notice.*

## Product Description



16



17

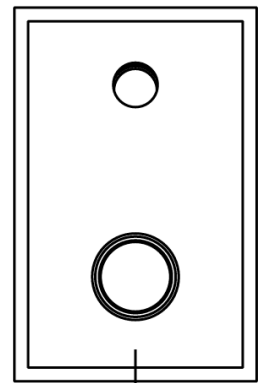
18

19

20

21

22



16

1. Hinge
2. Drive Pulley
3. Drive Belt
4. Turntable Spindle
5. Turntable Hub
6. Turntable Platter
7. Tonearm Lift
8. Tonearm Counterweight
9. Downforce Scale Dial
10. Cue Lever
11. Hold Down Clip

12. Tonearm Rest
13. Function Knob
14. Tonearm
15. Volume Knob
16. Speakers
17. Ground Connector
18. RCA Jacks
19. Phono/Line Switch
20. Power Jack
21. Speaker Output Terminals
22. Power Switch

## Initial Setup

---

### Essential Setup

1. Place the unit on a flat and level surface. The selected location should be stable and free from vibration.
2. Install the turntable lid to the hinges.
3. Remove the tie-wrap that is holding the tonearm.
4. Install the turntable platter and drive belt accordingly.
5. Place the slip mat on top of the turntable platter.
6. Slide **Tonearm Counterweight** onto tonearm and twist it lightly onto the rear shaft of the tonearm.
7. Adjust the counterweight to set proper stylus pressure.
8. Connect AC adaptor to the **Power Jack** of the unit.

*Note: Do not plug the AC power adaptor to power outlet before all the assembly is completed. Before turning the power on, make sure again all the connection settings are correct. Always turn off the power when connecting or disconnecting.*

### Tonearm Counterweight Adjustment for Stylus Pressure

1. Remove the stylus protector from the cartridge and avoid touching the stylus tip during the adjustment.
2. Release the tonearm **Hold Down Clip**, gently hold the tonearm and move it away from the **Tonearm Rest**. At this point, the tone arm is unbalanced and free to swing.
3. Lift up the **Tonearm** from its rest and gently hold it. The tone arm is unbalanced at this point.
4. Carefully rotate the **Counterweight** towards the front of the turntable until the tonearm is horizontally balanced and hovers freely just above the platter without the stylus touching the platter surface.
5. Return the tonearm to the **Tonearm Rest** and lock the **Hold Down Clip**.
6. While holding the counterweight steady without any rotation, rotate carefully only the **Downforce Scale Dial** until the "0" on the scale lines up with the centerline marked along the top of the tonearm.
7. Rotate the counterweight including the downforce scale dial counter-clockwise (as seen from the front of the turntable) to adjust the pressure to the stylus manufacturer recommendations.

*Note:*

- Each mark on the scale represents 0.05 g (gram).
  - The recommended pressure for the factory-installed cartridge is 3.5 g.
- Note: The cartridge only goes up to 1.75g. You will need to make two full rotations to reach 3.5g.*

### Turntable Platter and Belt Setup

1. Put the drive belt around the **Turntable Hub**, and then use the provided drive belt assembly tool to help pull the belt to fit around the slot of motor pulley.
2. Place the turntable platter through the turntable spindle.

## Stereo System Connection

---

### RCA Jacks

- The RCA Jacks of this unit are shared as both the Phono output jacks and the Line output jacks. They are determined by the **Phono/Line Switch**.
- When used as a line output, the jacks output analog line-level signals and could be connected directly with a pair of active speakers or the appropriate input of your stereo system. When used as a Phono output, they should be connected to the phono pre-amp or the phono input of the stereo system.
- The Red plug connects with the Right channel and the White plug connects with the Left channel.

*Note:*

- If the Phono/Line switch is set at LINE position but RCA jacks connected to the stereo system's phono input, the sound might be distorted due to input overload and could damage your stereo system.
- If the Phono/Line switch is set at PHONO position but RCA jack connected to the stereo system's line input, the volume will be very low due to lacking signal pre-amplification.
- RCA Jack is not designed to be connected directly to the passive/unpowered speakers and if it does, the volume will be very low.

### Spring clip speaker terminals

The spring clip speaker terminals deliver amplified, speaker-level signals as output and should be connected with the passive speakers.

## Bluetooth Operation

---

1. Turn the **Function Knob** to Bluetooth mode  $\text{X}$ , you will hear an activation sound from the unit.
2. Turn on the Bluetooth feature of your audio device, search for “Crosley C62” and pair.
3. Once your device is successfully paired with the unit, you will hear a short confirmation sound from the unit.
4. Play and stream music from your device to the unit.

*Note: Bluetooth version - \*4.2\**

## Turntable Operation

---

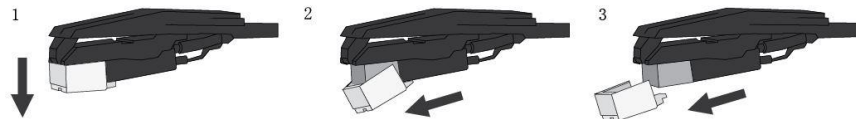
1. Press the **Power Switch** to turn on the power.
2. Set the **Function Knob** accordingly.
3. Place the record on the turntable. Use the **45 RPM Adapter** if necessary.
4. Remove the stylus protector from the stylus assembly.  
*Note: To avoid stylus damage, make certain the included stylus guard is in place whenever the turntable is being moved or cleaned.*
5. Release the tonearm **Hold Down Clip**.  
*Note: when the turntable is not in use, remember to lock back hold down clip.*
6. Use the **Cue Lever** to lift up the tonearm.
7. Gently move the tonearm over the record where play is desired to begin. Set the **Cue Lever** back to the down position, the tonearm will descend slowly onto the record and begin to playback.
8. When the record is finished playing, use the **Cue Lever** again to raise the tonearm and then return it to the **Tonearm Rest**. Release the lever to let the tonearm sit back at its rest. To suspend the playback, repeat the same steps.
9. Lock the **Hold Down Clip** to secure the tonearm.

## Needle Replacement

---

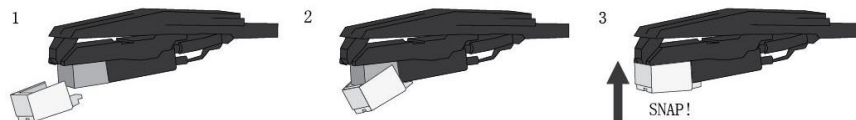
### Removing Needle

1. Gently pull down the front edge of the needle.
2. Pull needle forward.
3. Pull out and remove.



### Installing Needle

1. Position the needle with its tip facing down.
2. Line up the back of the needle with the cartridge.
3. Insert the needle with its front end at a downward angle and gently lift the front of the needle upward until it snaps into place.



---

## Turntable Maintenance

---

1. Do not touch the stylus tip with your fingers. Avoid bumping the stylus on the turntable mat or a record's edge.
2. Clean the stylus frequently with a soft brush with a back-to-front motion only.
3. Clean the records to get rid of dust or grease with a record cleaning brush and record cleaning solution.
4. Clean the turntable lid and turntable cabinet with a slightly dampened microfiber cloth.

*Note: Do not use cleanser that contains alcohol, benzene or any other harsh chemicals, which might damage the paint and finish of the turntable.*

**\*\* Crosley offers a product line of different cleaning accessories. Please ask your retailer or check out our website [www.crosleyradio.com](http://www.crosleyradio.com) for more cleaning product information.**

---

## Troubleshooting

---

### There is no power

- Power adaptor is not connected correctly.
- No power at the power outlet.

### Power is on, but the platter does not turn

- Turntable's drive belt is not installed or has slipped off.

### Turntable is spinning, but there is no sound, or sound not loud enough

- Stylus protector is still on.
- Tone arm is lift up by the lever.

### Record sounds too fast or too slow.

- Wrong speed selected for the record.

### Strong hum on phono input

- The cable is not grounded correctly.

---

## FCC Statements

---

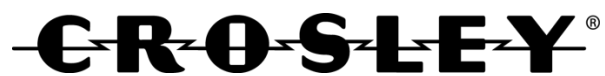
NOTE: This equipment has been tested and found to comply with the limits for a Class B digital device, pursuant to part 15 of the FCC Rules. These limits are designed to provide reasonable protection against harmful interference in a residential installation. This equipment generates uses and can radiate radio frequency energy and, if not installed and used in accordance with the instructions, may cause harmful interference to radio communications. However, there is no guarantee that interference will not occur in a particular installation. If this equipment does cause harmful interference to radio or television reception, which can be determined by turning the equipment off and on, the user is encouraged to try to correct the interference by one or more of the following measures:

- Reorient or relocate the receiving antenna.
- Increase the separation between the equipment and receiver.
- Connect the equipment into an outlet on a circuit different from that to which the receiver is connected.
- Consult the dealer or an experienced radio/TV technician for help

Changes or modifications not expressly approved by the party responsible for compliance could void the user's authority to operate the equipment.

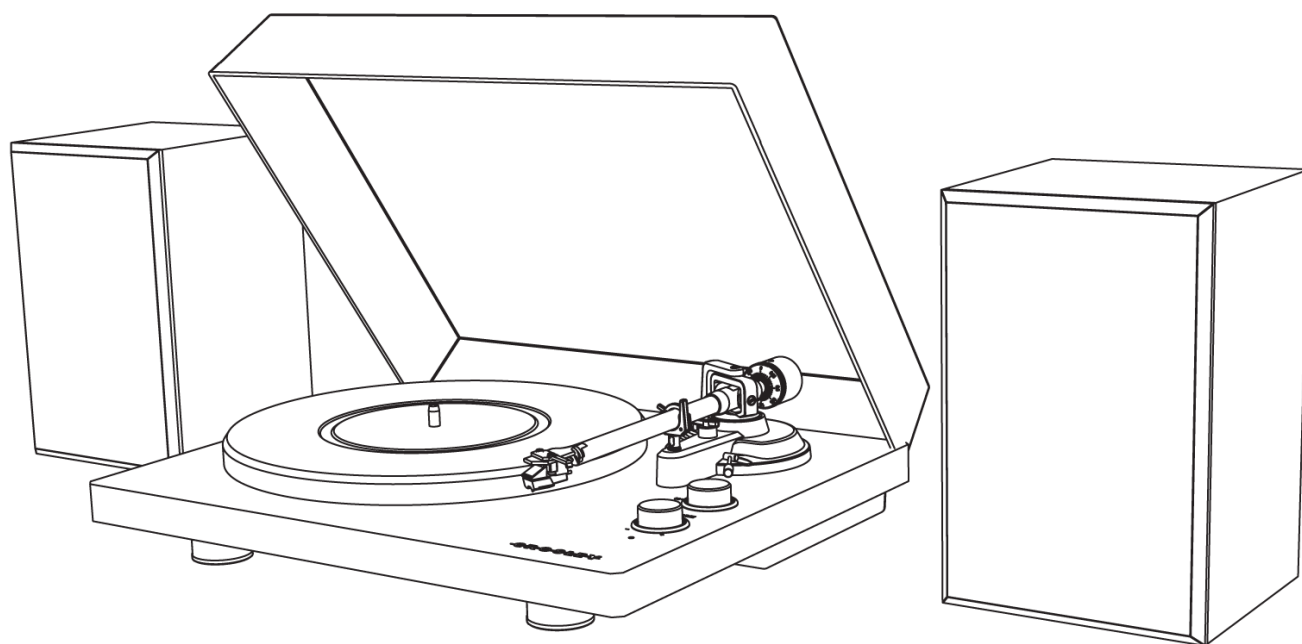
This device complies with Part 15 of the FCC Rules. Operation is subject to the following two conditions:

- (1) This device may not cause harmful interference, and
- (2) this device must accept any interference received, including interference that may cause undesired operation.



**C62A**  
**Tocadiscos C62**  
**Manual de instrucciones**

---



¿Tiene preguntas, ha tenido problemas o hay piezas faltantes?  
Antes de devolver el producto a la tienda, comuníquese con nuestro Servicio al Cliente  
de 8 a. m. a 6 p. m., hora del este, de lunes a viernes  
1-888-CROSLEY  
[www.crosleyradio.com/support](http://www.crosleyradio.com/support)



## Instrucciones de seguridad

---

Lea y comprenda este manual en su totalidad antes de usar este producto. Conserve estas instrucciones para consultarlas en el futuro.

1. No use este producto cerca del agua.
2. Este producto debe ser utilizado solo con el tipo de fuente de alimentación indicado en la etiqueta o en este manual de instrucciones.
3. No subestime el propósito de seguridad del enchufe polarizado. Un enchufe polarizado posee dos hojas; una de ellas es más ancha que la otra. Este enchufe encajará en el tomacorriente en un solo sentido. Si no logra insertar completamente el enchufe en el tomacorriente, pruebe invirtiendo el enchufe. Si aún así el enchufe no encaja, comuníquese con su electricista.
4. Proteja el cable de alimentación de ser pisado o pinzado, en especial en los enchufes, los tomacorrientes y en el punto donde el cable sale del producto.
5. No sobrecargue los tomacorrientes de pared, cables de alargue, o receptáculos integrales, ya que puede generar un riesgo de incendio o descarga eléctrica.
6. No introduzca objetos de ningún tipo en el producto a través de las ranuras, ya que pueden hacer contacto con puntos de alto voltaje o provocar un cortocircuito que ocasione fuego o una descarga eléctrica. No derrame líquidos de ningún tipo sobre el producto.
7. No intente realizar tareas de mantenimiento por su cuenta, ya que abrir o remover la cubierta puede exponerlo a un voltaje peligroso y a otros riesgos. Deje toda tarea de mantenimiento en manos de un técnico de servicio calificado.
8. Los cambios o las modificaciones que no tengan la aprobación expresa de la parte responsable del cumplimiento pueden anular el permiso del usuario para utilizar el equipo.
9. No utilice accesorios que no son recomendados por los fabricantes del producto porque pueden ser peligrosos.
10. Cualquier combinación de carro y producto debe moverse con cuidado. Las paradas súbitas, el uso de fuerza excesiva y las superficies irregulares pueden causar que el producto y el carro se vuelquen.
11. Las ranuras de ventilación y las aberturas del gabinete son provistas para la ventilación y para asegurar el correcto funcionamiento del producto y evitar el recalentamiento. No bloquee ni cubra estas aberturas.
12. Desconecte el producto durante las tormentas eléctricas o cuando no se utilice durante períodos extendidos.

## Artículos en este empaque

---

Antes de deshacerse de cualquier material del empaque, revíselo con atención y asegúrese de encontrar los siguientes artículos que se incluyen en este paquete:

- Tocabiscos
- Tapa de tocabiscos
- Cobertor deslizante del tocabiscos
- Bandeja del tocabiscos
- Adaptador de 45 RPM
- Contrapeso del brazo del tocabiscos
- Herramienta de ensamblaje de la correa de transmisión
- Transportador de alineación de la cápsula
- Transformador
- Altavoces
- Cable de altavoz x 2

Comuníquese con el Servicio al Cliente de Crosley en caso de que faltara algún accesorio en el empaque. **Conserve el material de embalaje original para realizar cambios o devoluciones.**

## Especificaciones

---

### **Crosley C62A**

Fuente de energía	Transformador de CA, salida DC de 15 V 2.4 A
Consumo de energía	70 W
Altavoces	8Ω 10W x 2
Velocidad del tocadiscos	33 <sup>1</sup> / <sub>3</sub> , 45 RPM
Variación de velocidad	±1.5 %
Fluctuación y trémulo	≤0.15 %
Señal a ruido	72 dB
Rango de fuerza descendente	3.0-6.0 g
Longitud efectiva del brazo del tocadiscos	8,6" (218.5 mm)
Voladizo	0,73"
Dimensiones del producto (P x A x D)	16.46" x 4.84" x 13.62", con la tapa abierta 16.46" x 15.55" x 16.14"
Peso	21.69 lbs (9.84 kgs)

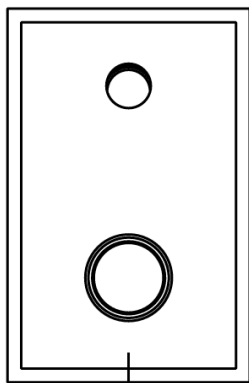
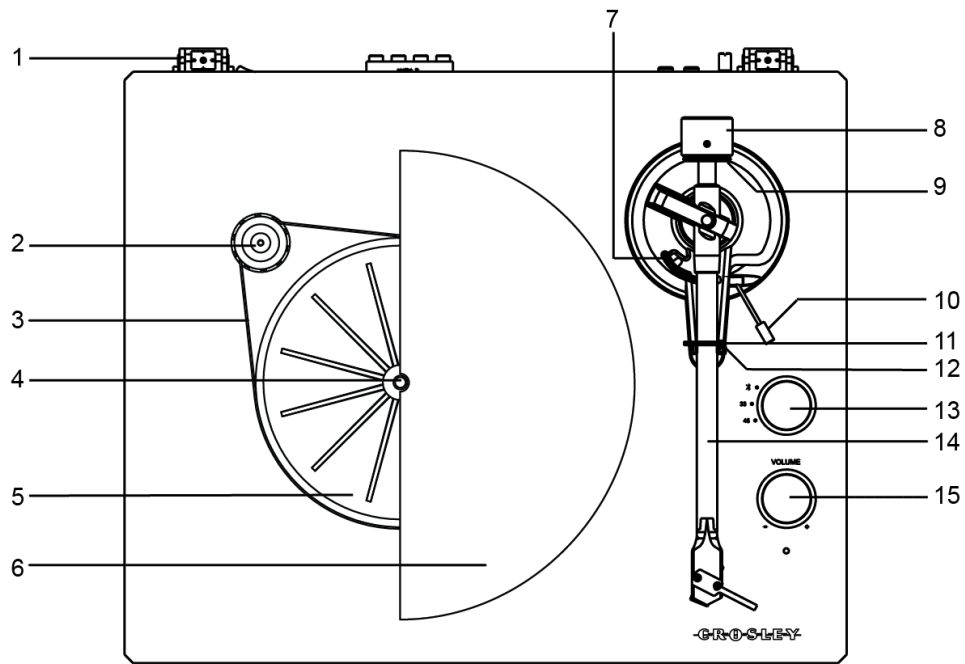
### **Aguja: Crosley NP5**

Respuesta de frecuencia	20 Hz – 20 kHz
Balance de canal	<2.5 dB
Separación de canal	>18 dB
Voltaje de salida	2.5 mV
Resistencia de carga recomendada	47 k Ω
Conexión del amplificador	MM –entrada
Presión de rozamiento recomendada	3.5±0.5g
Peso	0.18 oz

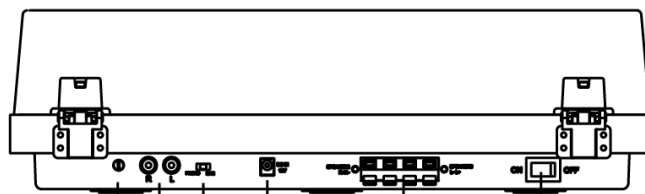
#### *Nota:*

- *El diseño y las especificaciones están sujetos a cambios sin previo aviso.*

## Descripción del producto



16



17

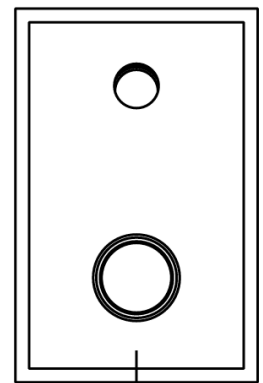
18

19

20

21

22



16

- |  |                                      |
|--|--------------------------------------|
| 1. Bisagra                             | 12. Soporte del brazo del tocadiscos |
| 2. Polea de transmisión                | 13. Perilla de funciones             |
| 3. Correa de transmisión               | 14. Brazo del tocadiscos             |
| 4. Eje del tocadiscos                  | 15. Perilla de volumen               |
| 5. Concentrador del tocadiscos         | 16. Altavoces                        |
| 6. Bandeja del tocadiscos              | 17. Conector a tierra                |
| 7. Elevador del brazo del tocadiscos   | 18. Conectores RCA                   |
| 8. Contrapeso del brazo del tocadiscos | 19. Interruptor para Fono/Línea      |
| 9. Dial de fuerza descendente          | 20. Conector de alimentación         |
| 10. Palanca de indicación              | 21. Terminales de entrada de altavoz |
| 11. Broche de sujeción                 | 22. Interruptor de alimentación      |

## Instalación inicial

---

### Instalación indispensable

1. Coloque la unidad en una superficie plana y nivelada. El lugar seleccionado debe ser estable y estar libre de vibraciones.
2. Instale la tapa del tocadiscos en las bisagras.
3. Quite la banda de sujeción que sostiene el brazo del tocadiscos.
4. Instale la bandeja del tocadiscos y la correa de transmisión según corresponda.
5. Coloque el cobertor deslizante sobre la bandeja del tocadiscos.
6. Deslice el **Contrapeso del brazo del tocadiscos** hacia este último y gírelo suavemente hacia el mango posterior del brazo del tocadiscos.
7. Ajuste el contrapeso para establecer la presión adecuada en la aguja fonográfica.
8. Conecte el adaptador de CA al conector de alimentación de la unidad.

*Nota: No enchufe el transformador de CA a un tomacorriente hasta terminar de ensamblar las partes. Antes de encender el equipo, vuelva a asegurarse de que todos los ajustes de conexión estén correctos. Siempre apague la unidad al conectarla o desconectarla.*

### Ajuste del Contrapeso del brazo del tocadiscos para la Presión de la aguja fonográfica

1. Quite el protector de la aguja fonográfica de la cápsula y evite tocar la punta de la aguja fonográfica durante el ajuste.
2. Suelte broche de sujeción del **brazo del tocadiscos**, sostenga suavemente el brazo y aléjelo del **Soporte del brazo**. En este momento, el brazo del tocadiscos está desequilibrado y puede balancearse libremente.
3. Levante el **brazo del tocadiscos** de su soporte y sosténgalo suavemente. El brazo del tocadiscos está desequilibrado en este momento.
4. Gire con cuidado el **contrapeso** hacia la parte delantera del tocadiscos hasta que el brazo esté equilibrado en sentido horizontal y se mueva libremente sobre la bandeja sin que la aguja fonográfica toque la superficie del disco.
5. Vuelva a colocar el brazo del tocadiscos en el **soporte del brazo** y trabe el **Broche de sujeción**.
6. Mientras el contrapeso se mantenga estable sin girar, gire con cuidado solamente el **Dial de fuerza descendente** hasta que el "0" en el dial esté alineado con la línea central marcada en la parte superior del brazo del tocadiscos.
7. Gire el contrapeso junto con el dial de fuerza descendente en sentido antihorario (si se mira desde la parte delantera del tocadiscos) para ajustar la presión según las recomendaciones del fabricante de la aguja fonográfica.

*Nota:*

- Cada marca en la escala representa 0.05 g (gramo).
  - La presión recomendada para la cápsula instalada de fábrica es de 3.5 g.
- Nota: El cartucho solo alcanza 1.75 g. Deberá realizar dos rotaciones completas para alcanzar 3.5 g.*

### Instalación de la bandeja y la correa del tocadiscos

1. Coloque la correa de transmisión alrededor de la bandeja pequeña que está conectada al eje del tocadiscos y luego use la herramienta de ensamblaje de la correa que se proporciona para tirar de la correa, de manera que encaje alrededor de la ranura de la polea de motor.
2. Coloque la bandeja del tocadiscos a través del eje.

## Conexión del sistema estéreo

---

### Conectores RCA

- Los conectores RCA de esta unidad son tanto los conectores de salida Fono como los conectores de salida de Línea. Esto se determina mediante el **interruptor para Fono/Línea**.
- Cuando se utilizan como salida de línea, los conectores generan señales analógicas de nivel de línea y se pueden conectar directamente con un par de parlantes o en la entrada correspondiente de su sistema estéreo. Cuando se utilizan como salida Fono, se deben conectar al preamplificador de fono o a la entrada fono del sistema estéreo.
- El cable rojo se conecta en el canal derecho, y el cable blanco se conecta en el canal izquierdo.

*Nota:*

- Si el Interruptor para Fono/Línea se ajusta en la posición **LÍNEA** pero los conectores RCA están conectados a la entrada fono del sistema estéreo, es posible que el sonido se distorsione debido a la sobrecarga de entradas y esto podría dañar su sistema estéreo.
- Si el interruptor para Fono/Línea está en la posición **FONO** pero el conector RCA está conectado a la entrada de línea del sistema estéreo, el volumen será muy bajo debido a la falta de preamplificación de la señal.
- Los conectores RCA no están diseñados para conectarse directamente a parlantes pasivos y, si se los conecta, el volumen será muy bajo.

### Terminales de parlantes con conector de broche elástico

Las terminales de parlantes con broche elástico brindan señales amplificadas de nivel del parlante como salida y se deben conectar a parlantes pasivos.

## Funcionamiento de Bluetooth

---

1. Coloque la **perilla de funciones** en modo Bluetooth  $\mathbb{B}$ . La unidad emitirá un sonido de activación.
2. Active la conexión de Bluetooth en el dispositivo de audio, busque "Crosley C62" y conéctelo.
3. Una vez que el dispositivo quede conectado correctamente, la unidad emitirá un sonido corto de confirmación.
4. Reproduzca música en forma inalámbrica desde el dispositivo hacia la unidad.

*Nota: Versión de Bluetooth - \*4.2\**

## Funcionamiento del tocadiscos

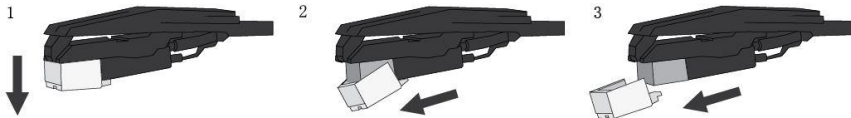
---

1. Presione el **interruptor de alimentación** para encenderlo.
2. Ajuste el Perilla de funciones según corresponda.
3. Coloque el disco en el tocadiscos. De ser necesario, utilice el **Adaptador de 45 rpm**.
4. Quite el protector de la aguja fonográfica de su ensamblaje.  
*Nota: Para evitar los daños de la aguja fonográfica, asegúrese de que el protector esté ubicado correctamente cada vez que mueva o limpie el tocadiscos.*
5. Suelte el **Broche de sujeción** del tocadiscos.  
*Nota: Cuando el tocadiscos no se utilice, recuerde volver a trabar el broche de sujeción.*
6. Use la **palanca de indicación** para levantar el brazo del tocadiscos.
7. Levante suavemente el **brazo del tocadiscos** de su soporte y muévalo sobre el disco en la parte que desea comenzar a reproducir. Use la **palanca del brazo del tocadiscos** para levantar el **elevador del brazo del tocadiscos** y deje que el brazo se apoye sobre este.
8. Ajuste la **palanca del brazo del tocadiscos** de vuelta a la posición hacia abajo. El brazo bajará lentamente hacia el disco y comenzará la reproducción.
9. Cuando el disco termine de reproducirse, utilice la **palanca del brazo del tocadiscos** para levantar el brazo y volver a colocarlo en el **soporte del brazo**. Para suspender la reproducción, siga los mismos pasos.

## Reemplazo de la aguja

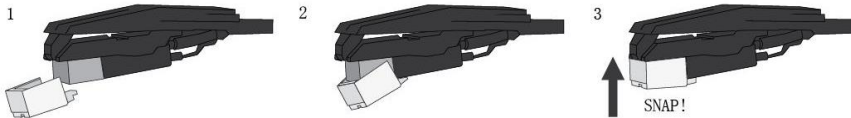
### Quitar la aguja

1. Tire del borde delantero de la aguja con suavidad.
2. Tire la aguja hacia adelante.
3. Tire hacia fuera y quítela.



### Instalar la aguja

1. Coloque la aguja de manera tal que la punta quede hacia abajo.
2. Alinee la parte trasera de la aguja con la cápsula.
3. Introduzca la aguja con el extremo delantero en un ángulo descendente y suavemente levante la parte delantera de la aguja hacia arriba hasta que se traben en su lugar.



## Mantenimiento del tocadiscos

1. No toque la punta de la aguja fonográfica con los dedos. Evite golpear la aguja fonográfica con el cobertor para el tocadiscos o con el borde del disco.
2. Limpie la aguja fonográfica con frecuencia con un cepillo suave mediante movimientos de atrás hacia adelante.
3. Limpie los discos para quitarles el polvo o la grasa con un cepillo para limpiar discos y con una solución de limpieza para discos.
4. Limpie la tapa del tocadiscos y el gabinete con un paño de microfibras ligeramente humedecido.  
*Nota: No utilice otros limpiadores que contengan alcohol, benceno o cualquier otro químico agresivo que pueda dañar la pintura y la terminación del tocadiscos.*

**\*\* Crosley ofrece una línea de productos de distintos accesorios de limpieza. Para obtener más información acerca de los productos de limpieza, consulte a un comerciante o visite nuestro sitio web [www.crosleyradio.com](http://www.crosleyradio.com).**

## Solución de problemas

### La unidad no enciende.

- El transformador no está conectado correctamente.
- No hay energía en el tomacorriente.

### El equipo está encendido pero la bandeja no gira.

- La correa de transmisión del tocadiscos no se ha colocado o se ha salido.

### El tocadiscos gira pero no emite sonidos o los sonidos no son lo suficientemente fuertes.

- El protector de la aguja fonográfica aún está colocado.
- La palanca levanta el brazo del tocadiscos.

### El disco se reproduce demasiado rápido o demasiado lento.

- Está seleccionada la velocidad incorrecta para el disco.

### Fuerte zumbido en la entrada fonográfica

- El cable no está conectado a tierra correctamente.

## **Declaraciones de la FCC**

---

NOTA: Este equipo se verificó y se comprobó que cumple con los límites para un dispositivo digital clase B, conforme a la Sección 15 de las reglas de la Comisión Federal de Comunicaciones (FCC). Estos límites están diseñados para brindar una protección razonable frente a interferencia perjudicial en un establecimiento residencial. Este equipo genera, usa y puede irradiar energía de radiofrecuencia y, si no se instala y utiliza siguiendo las instrucciones, puede causar interferencia perjudicial a las radiocomunicaciones. Sin embargo, no existe garantía de que la interferencia no ocurrirá en una instalación en particular. Si este equipo causa interferencia perjudicial a las radiocomunicaciones o a la recepción televisiva, lo que se puede determinar al encender y apagar el equipo, se recomienda que el usuario intente corregir la interferencia mediante una o más de las siguientes medidas:

- Orientar o reubicar la antena de recepción.
- Aumentar la separación entre el equipo y el receptor.
- Conectar el equipo a una toma en un circuito diferente del circuito en el que está conectado el receptor.
- Consultar al proveedor o a un técnico con experiencia en radio/TV para obtener ayuda.

Los cambios o modificaciones que no tengan la aprobación expresa de la parte responsable del cumplimiento pueden anular el permiso del usuario para utilizar el equipo.

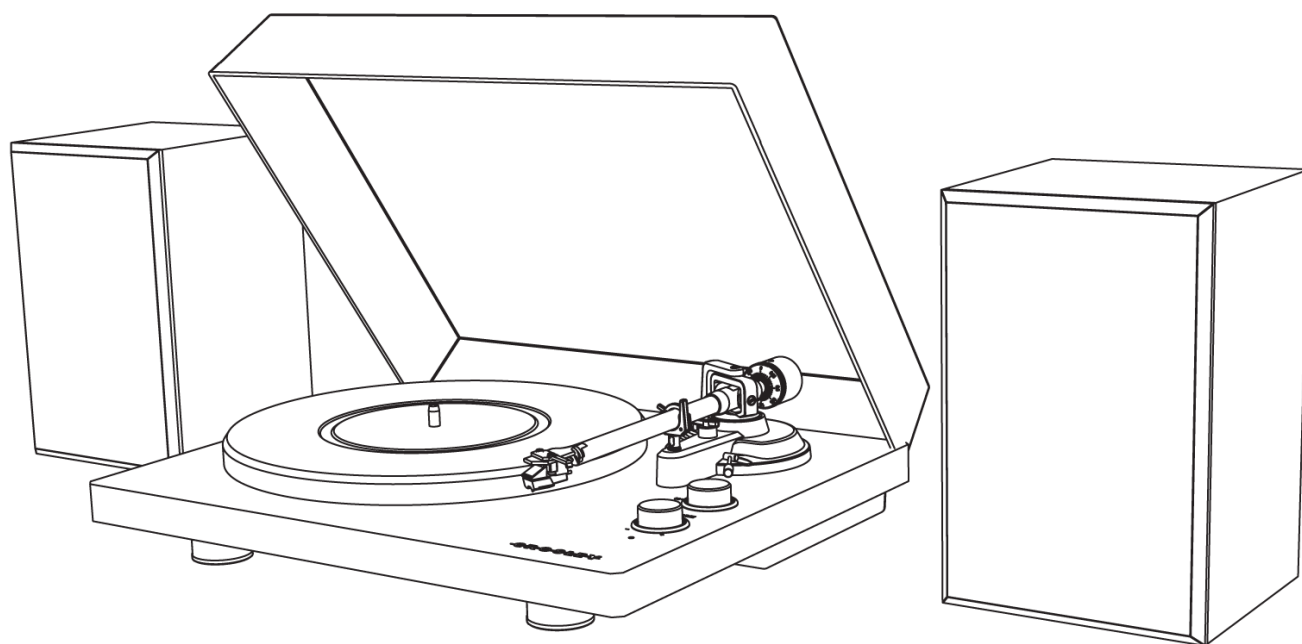
Este dispositivo cumple con la Sección 15 de las reglas de la Comisión Federal de Comunicaciones (FCC). El uso de este equipo está sujeto a las dos condiciones siguientes:

- (1) este dispositivo no causa interferencia perjudicial y
- (2) este dispositivo debe aceptar cualquier interferencia recibida, incluso interferencia que pueda causar un funcionamiento no deseado.

# CROSLEY®

**C62A**  
**Tourne-disque C62**  
**Manuel d'utilisation**

---



Des questions, problèmes, pièces manquantes?  
Avant de retourner au magasin, appelez le service à la clientèle  
De 8 h à 18 h, HNE, du lundi au vendredi  
1-888-CROSLEY  
[www.crosleyradio.com/support](http://www.crosleyradio.com/support)



## Instructions de sécurité

---

Veillez lire et comprendre l'intégralité de ce manuel avant d'utiliser ce produit. Conservez ces instructions pour pouvoir les consulter ultérieurement.

1. Ne pas utiliser ce produit près de l'eau.
2. Ce produit doit être alimenté uniquement par le type de source d'alimentation indiqué sur l'étiquette ou dans le présent manuel d'utilisation.
3. Ne pas tenter de modifier le dispositif de sécurité que constitue la fiche polarisée. Une fiche polarisée a deux lames, l'une étant plus large que l'autre. Cette fiche peut être insérée dans une prise électrique d'une seule façon. S'il est impossible d'insérer la fiche complètement dans la prise, inverser la fiche. Si la fiche ne peut toujours pas s'insérer entièrement, contacter un électricien.
4. Faire en sorte que personne ne marche sur le cordon d'alimentation ou que ce dernier ne soit pas pincé, notamment au niveau des fiches, des prises murales et du point de sortie du produit.
5. Ne pas surcharger les prises murales, cordons de rallonge ou prises de courant intégrales, car cela pourrait entraîner un risque d'incendie ou de décharge électrique.
6. Ne jamais pousser d'objets, quelle que soit leur nature, dans les ouvertures, car ils pourraient toucher des points de tension dangereux ou court-circuiter des pièces, ce qui pourrait entraîner un incendie ou une décharge électrique. Ne jamais renverser de liquide, quelle qu'en soit la nature, sur le produit.
7. Ne pas tenter de réparer ce produit vous-même, car couvrir ou ôter des couvercles pourrait vous exposer à une tension dangereuse ou à d'autres dangers. Faire appel à une personne qualifiée pour toutes les réparations.
8. Les changements ou les modifications non approuvés expressément par la partie responsable de la conformité pourraient annuler le droit de l'utilisateur de faire fonctionner le matériel.
9. Ne pas utiliser d'accessoires non recommandés par le fabricant du produit, car ils pourraient causer des dommages.
10. Il est important de déplacer avec prudence le produit s'il se trouve sur un chariot. Les arrêts brusques, une force excessive et les surfaces inégales peuvent entraîner le retournement du produit sur un chariot.
11. Des fentes et ouvertures sont présentes dans le boîtier pour la ventilation, pour assurer un fonctionnement fiable du produit et pour le protéger d'une surchauffe. Ne pas bloquer ou couvrir ces ouvertures.
12. Débrancher le produit pendant un orage ou lorsqu'il est inutilisé pendant une période prolongée.

## Contenu de la trousse

---

Avant de jeter les emballages, veuillez les passer en revue minutieusement et vérifier que vous avez les éléments suivants fournis dans cette trousse :

- Tourne-disque
- Couvercle du tourne-disque
- Tapis antidérapant du tourne-disque
- Plateau du tourne-disque
- Adaptateur 45 tours
- Contrepoids du bras de lecture
- Poulie d'entraînement
- Rapporteur d'alignement pour cartouche
- Adaptateur d'alimentation
- Haut-parleurs
- Fil de haut-parleur x 2

Veillez contacter le service à la clientèle de Crosley s'il manque des accessoires dans la trousse. **Conservez les emballages d'origine pour procéder à un échange ou à un retour.**

## Spécifications

---

### **Crosley C62A**

Puissance	Adaptateur c.a., sortie c.d. 15 V 2.4 A
Consommation d'énergie	70 W
Haut-parleurs	8Ω 10W x 2
Vitesse du tourne-disque	33 <sup>1</sup> / <sub>3</sub> , 45 tr/min
Variation de la vitesse	±1,5 %
Fluctuations	≤0,15 %
Rapport signal/bruit	72 dB
Force de portance négative	3.0-6.0 g
Longueur effective du bras de lecture	8,6 po (218,5 mm)
Surplomb	0,73 po (18,5 mm)
Dimension du produit (L x H x P)	16,46 po x 4,84 po x 13,62 po; couvercle ouvert : 16,46 po x 15,55 po x 16.14 po
Poids	21.69 lb (9,4 kg)

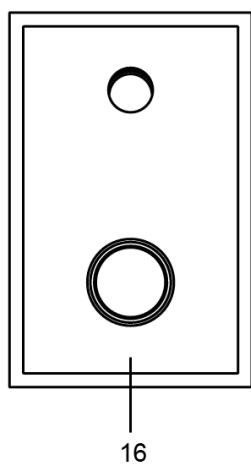
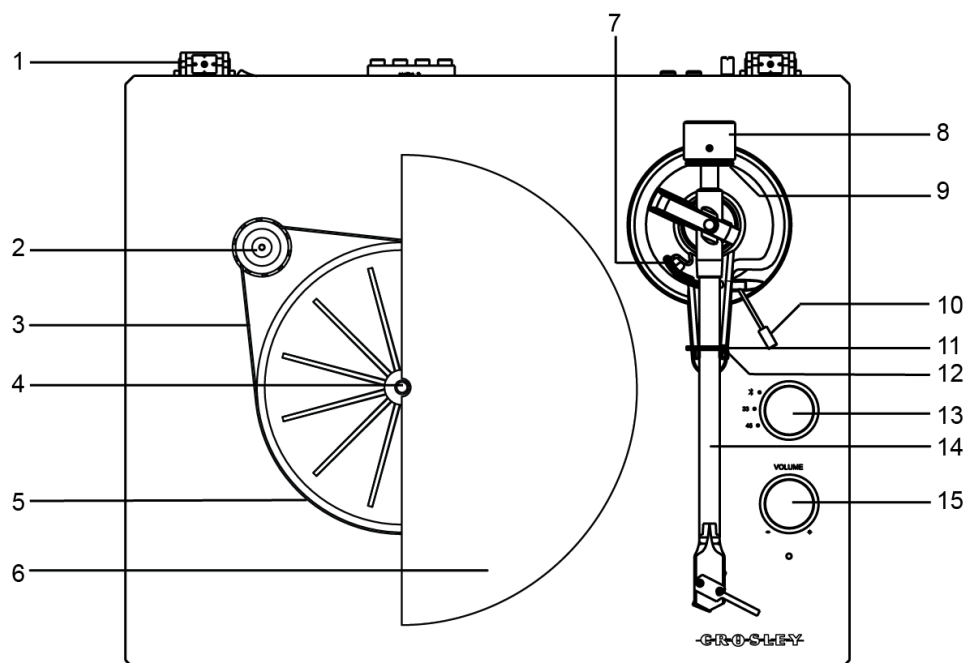
### **Aiguille : Crosley NP-5**

Réponse de fréquence	20 Hz à 20 kHz
Équilibre des canaux	< 2.5dB
Séparation des canaux	> 18dB
VTension de sortie	2.5 mV
Résistance de charge recommandée	47 kΩ
Connexion amplificateur	Entrée MM
Pression de lecture recommandée	3.5±0.5g
Poids	0,18 oz (5 g)

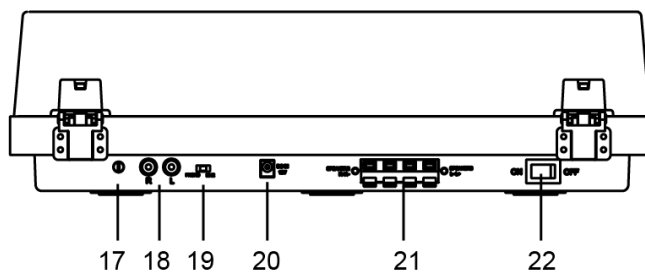
#### *Remarque :*

- *La conception et les spécifications sont sujettes à modification sans préavis.*

## Description du produit



16



17

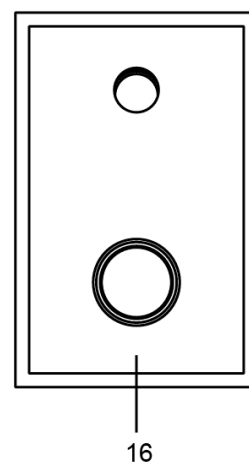
18

19

20

21

22



16

- |  |   |
|--|---|
| <ol style="list-style-type: none"> <li>1. Charnière</li> <li>2. Poulie d'entraînement</li> <li>3. Courroie d'entraînement</li> <li>4. Axe du tourne-disque</li> <li>5. Plateau d'entraînement du tourne-disque</li> <li>6. Plateau du tourne-disque</li> <li>7. Lève-bras</li> <li>8. Contrepoids du bras de lecture</li> <li>9. Disque gradué de la force d'appui</li> <li>10. Levier du lève-bras</li> <li>11. Attache de retenue</li> </ol> | <ol style="list-style-type: none"> <li>12. Support du bras de lecture</li> <li>13. Bouton de fonction</li> <li>14. Bras de lecture</li> <li>15. Bouton de volume</li> <li>16. Haut-parleurs</li> <li>17. Entrée de mise à la terre</li> <li>18. Prises RCA</li> <li>19. Commutateur Phono/Line (Phono/ligne)</li> <li>20. Prise d'alimentation</li> <li>21. Bornes de sortie haut-parleurs</li> <li>22. Sélecteur d'alimentation</li> </ol> |
|--|---|

## Configuration initiale

---

### Configuration de base

1. Placez l'appareil sur une surface plane. L'emplacement choisi doit être stable et sans vibration.
2. Installez le couvercle du tourne-disque sur les charnières.
3. Retirez l'attache qui retient le bras de lecture.
4. Installez comme il se doit le plateau du tourne-disque et la courroie d'entraînement.
5. Placez le tapis antidérapant sur le plateau du tourne-disque.
6. Faites glisser le **contrepoids du bras de lecture** sur le bras de lecture et tournez-le légèrement sur l'axe arrière du bras de lecture.
7. Ajustez le contrepoids pour définir la pression appropriée du stylet.
8. Branchez l'adaptateur c.a. à la **prise d'alimentation** de l'appareil.

*Remarque : Ne branchez pas l'adaptateur c.a. à la prise avant la fin du montage. Avant d'allumer l'appareil, vérifiez à nouveau que tous les paramètres des branchements sont corrects. Mettez toujours l'appareil hors tension lorsque vous effectuez ou supprimez des branchements.*

### Ajustement du contrepoids du bras de lecture pour la pression du stylet

1. Retirez la protection du stylet de la cartouche et évitez de toucher l'extrémité du stylet pendant l'ajustement.
2. Ouvrez l'**attache de retenue** du bras de lecture, maintenez doucement le bras de lecture et éloignez-le de son **support**. Le bras de lecture est alors déséquilibré et peut osciller librement.
3. Soulevez le **bras de lecture** de son support et tenez-le doucement. Le bras de lecture est alors déséquilibré.
4. Faites pivoter doucement le **contrepoids** vers l'avant du tourne-disque jusqu'à ce que le bras de lecture soit équilibré horizontalement et puisse se maintenir librement au-dessus du plateau sans que le stylet ne touche la surface.
5. Remplacez le bras de lecture sur le **support du bras de lecture** et verrouillez l'**attache de retenue**.
6. Tout en maintenant fermement le contrepoids sans le faire pivoter, tournez uniquement la **balance à cadran de la force de portance négative** avec précaution jusqu'à ce que le « 0 » inscrit sur l'échelle et la ligne de centre marquée le long du haut du bras de lecture soient alignées.
7. Faites pivoter le contrepoids, y compris la balance à cadran de la force de portance négative, dans le sens inverse des aiguilles d'une montre (comme vu depuis l'avant du tourne-disque) afin d'ajuster la valeur de pression du stylet conformément aux recommandations du fabricant.

*Remarque :*

- Chaque mesure de l'échelle correspond à 0,05 g (gramme).
- La pression recommandée pour la cartouche installée en usine est 3,5 g.  
*Remarque : La cartouche ne va pas au-delà de 1,75 g. Vous devrez effectuer deux rotations complètes pour atteindre 3,5 g.*

### Configuration du plateau du tourne-disque et de la courroie

1. Placez la courroie d'entraînement autour du petit plateau qui est relié à la broche du tourne-disque, puis utilisez l'outil de montage de la courroie d'entraînement fourni pour aider à tirer sur la courroie pour bien la placer autour de l'encoche de la poulie du moteur.
2. Passez le plateau du tourne-disque par la broche du tourne-disque.

## Branchement du système stéréo

---

### Prises RCA

- Les prises RCA de cet appareil sont partagées à la fois comme prises de sortie phono et prises de sortie de ligne. Elles sont déterminées par le **commutateur Phono/Line (Phono/ligne)**.
- Lorsqu'elles sont utilisées comme sortie de ligne, les prises RCA émettent des signaux de niveau de ligne analogique et peuvent être connectées directement à une paire de haut-parleurs actifs ou l'entrée appropriée de votre système stéréo. Lorsqu'elles sont utilisées comme sortie phono, elles doivent être branchées au préamplificateur phono ou à l'entrée phono du système stéréo.
- La prise rouge se branche sur le canal droit et la prise blanche se branche sur le canal gauche.

Remarque :

- Si le commutateur Phono/Line (Phono/ligne) est en position LINE (LIGNE), mais que les prises RCA sont branchées à l'entrée phono du système stéréo, le son peut être déformé à cause d'une surcharge de l'entrée et cela pourrait endommager votre système stéréo.
- Si le commutateur Phono/Line (Phono/ligne) est en position PHONO (PHONO), mais que la prise RCA est branchée à l'entrée ligne du système stéréo, le volume sera très bas à cause de l'absence de préamplification du signal.
- La prise RCA n'est pas conçue pour être branchée directement aux haut-parleurs passifs/qui ne sont pas sous tension, et si cela arrive, le volume sera très bas.

### Bornes des haut-parleurs avec attache à ressort

Les bornes des haut-parleurs avec attache à ressort émettent des signaux de niveau haut-parleur amplifiés comme sortie et doivent être branchées aux haut-parleurs passifs.

## Utilisation du Bluetooth

---

1. Mettez le **Bouton de fonction** sur le mode Bluetooth  $\text{⌘}$ ; l'unité émettra un son d'activation.
2. Activez la fonction Bluetooth de votre appareil audio, recherchez « Crosley C62 » et associez l'appareil.
3. Une fois votre appareil associé à l'unité, celle-ci émettra un bref son de confirmation.
4. Lire et diffuser de la musique en continu de votre appareil sur l'unité.

Remarque : Versions de Bluetooth - \*4.2\*

## Utilisation du tourne-disque

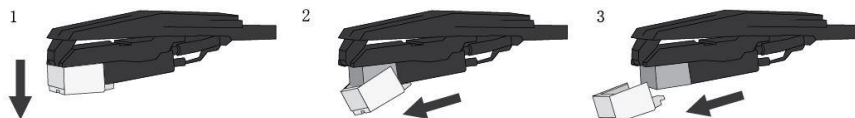
---

1. Appuyez sur l'**interrupteur d'alimentation** pour mettre l'appareil sous tension.
2. Réglez le Bouton de fonction en conséquence.
3. Placez le disque sur le tourne-disque. Utilisez l'**adaptateur 45 tours** au besoin.
4. Retirez le protecteur du stylet.  
Remarque : Pour éviter d'endommager le stylet, vérifiez que le protecteur de stylet inclus est bien en place lorsque vous déplacez ou nettoyez le tourne-disque.
5. Relâchez l'**attache de retenue** du bras de lecture.  
Remarque : Lorsque vous n'utilisez pas le tourne-disque, n'oubliez pas de verrouiller à nouveau l'attache de retenue.
6. Soulevez doucement le **bras de lecture** de son support et déplacez-le au-dessus du disque, là où vous souhaitez commencer la lecture. Utilisez le levier du **bras de lecture** pour soulever le **levier de levage du bras de lecture** et laissez y reposer le bras de lecture.
7. Abaissez le **levier du bras de lecture**. Le bras de lecture descendra doucement sur le disque et commencera la lecture.
8. Lorsque la lecture du disque est terminée, utilisez le **levier du bras de lecture** pour soulever le bras de lecture, puis le remettre sur le **support du bras de lecture**. Pour interrompre la lecture, répétez les mêmes étapes.
9. Verrouillez l'**attache de retenue** pour retenir le bras de lecture.

## Remplacement de l'aiguille

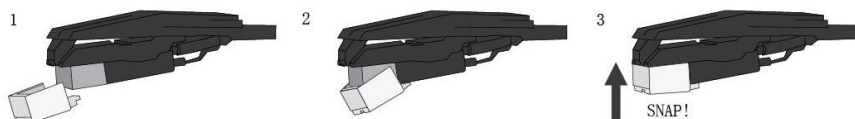
### Retrait de l'aiguille

1. Tirez doucement vers le bas le bord avant de l'aiguille.
2. Tirez l'aiguille vers l'avant.
3. Tirez vers l'extérieur pour l'enlever.



### Installation de l'aiguille

1. Positionnez l'aiguille avec son extrémité vers le bas.
2. Alignez l'arrière de l'aiguille avec la cartouche.
3. Insérez l'aiguille avec son extrémité avant à un angle descendant et soulevez doucement l'avant de l'aiguille vers le haut jusqu'à ce qu'il s'enclenche.



## Entretien du tourne-disque

1. Ne pas toucher l'extrémité du stylet avec vos doigts. Éviter de cogner le stylet sur le tapis du tourne-disque ou le bord du disque.
2. Nettoyer souvent le stylet avec une brosse douce dans un mouvement d'arrière vers l'avant uniquement.
3. Nettoyer les disques pour retirer la poussière ou la graisse avec une brosse de nettoyage pour disque et une solution nettoyante pour disque.
4. Nettoyer le couvercle du tourne-disque et le boîtier du tourne-disque avec un chiffon microfibre légèrement humide.

*Remarque : Ne pas utiliser d'autre nettoyant contenant de l'alcool, du benzène ou tout autre produit chimique nocif qui pourrait endommager la peinture et la finition du tourne-disque.*

**\*\* Crosley propose toute une gamme d'accessoires de nettoyage. Veuillez contacter votre détaillant ou consulter notre site Web [www.crosleyradio.com](http://www.crosleyradio.com) pour obtenir plus d'informations sur les produits de nettoyage.**

## Dépannage

### L'appareil ne s'allume pas

- L'adaptateur d'alimentation n'est pas branché correctement.
- Aucune alimentation au niveau de la prise électrique.

### L'appareil est allumé, mais le plateau ne tourne pas

- La courroie d'entraînement du tourne-disque n'est pas installée ou a glissé.

### Le tourne-disque tourne, mais il n'y a pas de son ou le son n'est pas suffisamment fort

- Le protecteur de stylet est toujours allumé.
- Le bras de lecture est levé par le levier.

### Le disque tourne trop vite ou trop lentement

- Mauvaise vitesse sélectionnée pour le disque.

### Fort bourdonnement sur l'entrée phono

- Le câble n'est pas correctement mis à la terre.

## Déclarations relatives à la FCC

---

REMARQUE : Ce matériel a été testé et jugé en conformité avec les limites pour un appareil numérique de Classe B, conformément à la partie 15 des règles de la FCC. Ces limites ont été établies pour offrir une protection raisonnable contre l'interférence nuisible dans une installation résidentielle. Cet appareil produit, utilise et peut émettre de l'énergie de fréquence radio et, s'il n'est pas installé et utilisé conformément aux instructions, il peut provoquer de l'interférence nuisible aux communications radio. Toutefois, il n'existe aucune garantie qu'il n'y aura pas d'interférence dans une installation particulière. Si ce matériel cause de l'interférence nuisible à la réception radio ou de télévision, qui peut être déterminée en allumant et en éteignant le matériel, il est conseillé à l'utilisateur de tenter de remédier à l'interférence par l'un ou plusieurs des moyens suivants :

- Réorienter ou déplacer l'antenne de réception.
- Augmenter la distance entre le matériel et le récepteur.
- Brancher le matériel à une prise sur un circuit différent de celui du récepteur.
- Consulter le détaillant ou un technicien de radio ou de télévision qualifié pour obtenir de l'aide.

Les changements ou les modifications non approuvés expressément par la partie responsable de la conformité pourraient annuler le droit de l'utilisateur de faire fonctionner le matériel.

Cet appareil est conforme à la partie 15 des règles de la FCC. Son fonctionnement est assujéti aux deux conditions suivantes :

- (1) cet appareil ne peut causer des interférences nuisibles, et
- (2) cet appareil doit accepter toute interférence reçue, y compris celles susceptibles de causer un fonctionnement indésirable.