

6

5

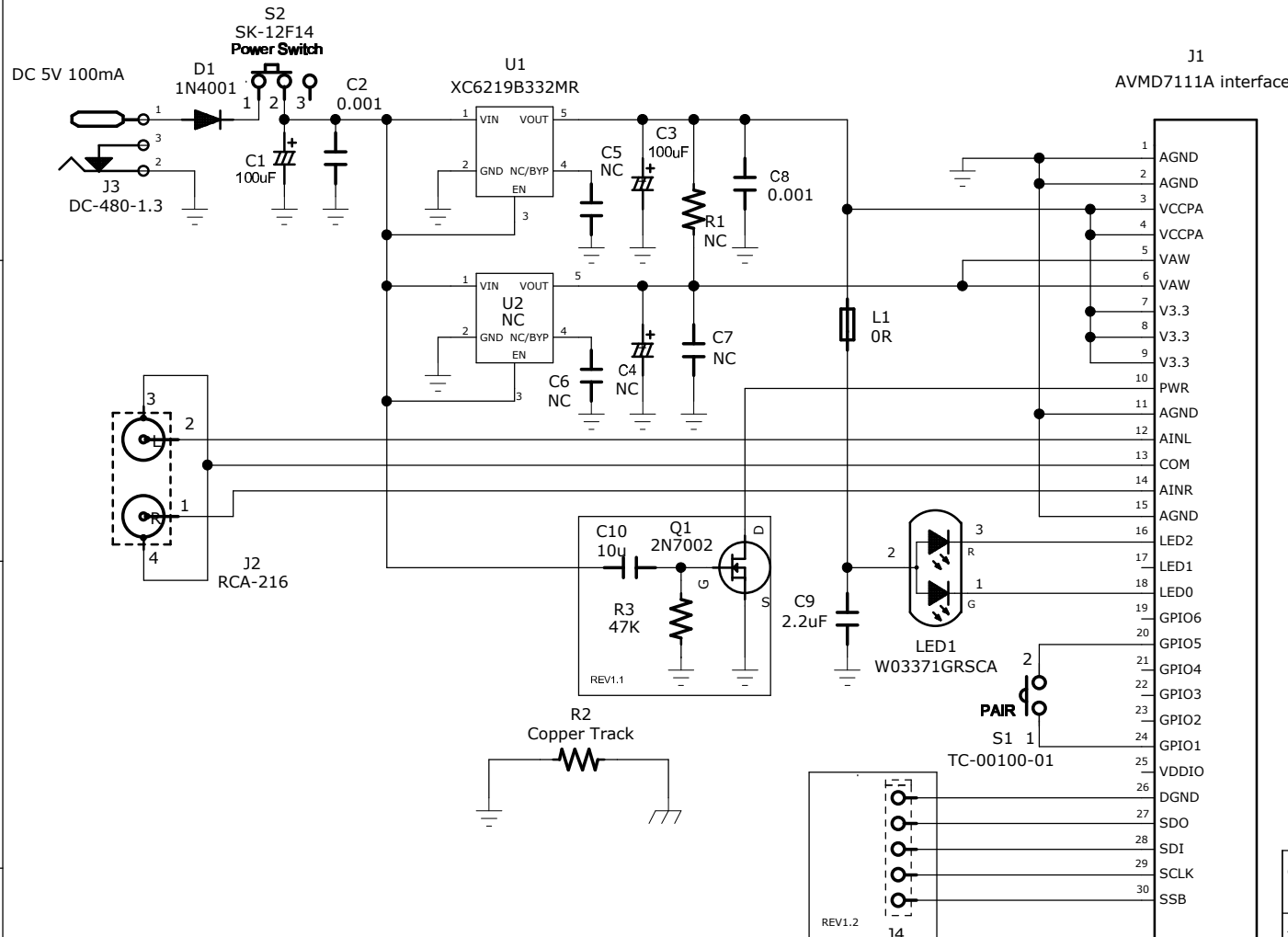
4

3

2

1

REVISION RECORD			
LTR	ECO NO:	APPROVED:	DATE:
		REV1.1 JAN 21 2008	
	PRG 1/O	REV1.2 JAN 24 2008	



COMPANY: **Musical Electronics Limited**

TITLE: **Transmitter for Sizzler/Outback/Morton**

DRAWN: Tony Cheung	DATED: JAN 17 2008
CHECKED:	DATED:
QUALITY CONTROL:	DATED:
RELEASED: Tony Cheung	DATED: JAN 18 2008

CODE:	SIZE:	DRAWING NO:	REV: 12
<b>B</b>			

SCALE: NOT SCALE      SHEET: 1 of 1

D

C

B

A

D

C

B

A