

# KW101

---

This page does NOT print!

Booklet is **12 pages**  
(104mm wide x 145mm tall)  
including front and back covers  
and bound on the left edge.

---

## PANTONE COLORS USED:



1 SPOT (PMS 2768c)



1 SPOT (PMS 632c)

KNIT™  
AUDIO

Timpani Tower  
Wireless Speaker

KW101

FCC RF Radiation Exposure Statement Caution: To maintain compliance with the FCC's RF exposure guidelines, place the product at least 20cm from nearby persons.

The device must not be co-located or operating in conjunction with any other antenna or transmitter.

## Welcome Your Music Home

We listen to music in motion on headphones and in our cars, but found ourselves listening less often at home. We wanted wireless home speakers that sounded great, were easy to use and designed to blend with décor. So we designed Knit Audio with warm gray woven fabric and rich wood grain finishes and spent time tuning the acoustics to sound great in any room.

We love having music playing when we're rushing around getting ready in the morning, serenading us when we're washing clothes and doing dishes, accompanying us when we're cooking and eating and grooving when we're hanging out with family and friends playing board games, reading a book or simply relaxing. Whatever we're doing, music makes us feel more at home.



## Happy to Help

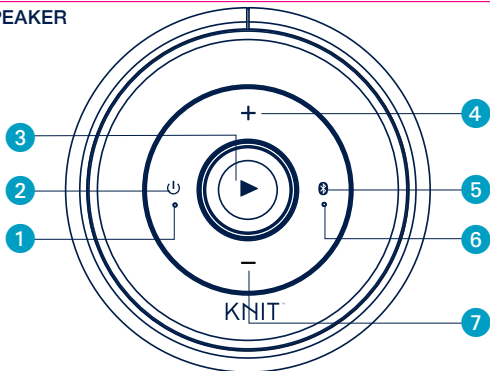
We know there are many speakers you had to choose from. Thank you for choosing Knit Audio. If you have any questions or need help, we're here to help:

[support@knitaudio.com](mailto:support@knitaudio.com)

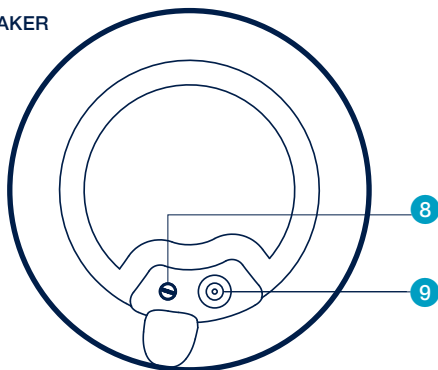
(855) 692-9192

M-F 9AM-8PM EST

## TOP of SPEAKER



## BOTTOM of SPEAKER



- |                                  |                          |
|----------------------------------|--------------------------|
| 1 POWER LED (White)              | 5 Bluetooth® PAIR Button |
| 2 POWER Button                   | 6 Bluetooth LED (Blue)   |
| 3 PLAY / PAUSE / SKIP + / SKIP - | 7 VOLUME -               |
| 4 VOLUME +                       | 8 Audio LINE-IN jack     |
|                                  | 9 DC IN jack             |



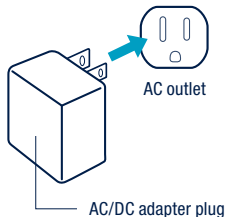
## Inside the Box

KW101 Timpani Bluetooth® wireless speaker, audio line-in cable, AC power adaptor and user guide.



## Plugging in Power Adaptor

Connect the supplied AC adaptor (DC 15V 1.2A) to the DC In Jack on the bottom of Timpani and plug the other end into a standard wall outlet (100~240V 50-60Hz).



**NOTES:** Disconnect both ends of the power cord when not in use. Use only the supplied AC adaptor with the following spec.

AC In – 100-240V AC, 50/60Hz / DC Out – 15V 1.2A



## LED Status Lights

### BLUETOOTH LED

When Bluetooth is in pairing mode, the Bluetooth LED will flash blue. Once Bluetooth has paired successfully, the Bluetooth LED will turn solid blue.

### POWER LED

Press the POWER button and the white LED will illuminate, indicating that the Timpani is on.

The white LED flashes under following statuses:

- PLAY / PAUSE / SKIP + / SKIP – button on Timpani is pressed.
- Volume button on Timpani is pressed.

## Using Your Speaker

- 1 In standby mode, press the Power Button to turn on
- 2 If a 3.5mm cable is connected to the AUX Input, Timpani will default to AUX-IN mode
- 3 If no cable is connected to the AUX Input, Timpani will switch to Bluetooth mode, press BLUETOOTH PAIR button to begin Bluetooth pairing
- 4 To return to AUX-IN mode, simply connect a 3.5mm cable to the AUX Input
- 5 Press the Power Button again to turn off.



### BLUETOOTH PAIRING

Pair with Bluetooth® capable devices to stream stereo audio wirelessly from smartphones, tablets or laptops for music, movies, video games and apps.

- 1 In Standby mode, press the Power Button to turn on and press BLUETOOTH PAIR button to begin Bluetooth pairing (make sure no cable is plugged into Line-In). The Bluetooth LED will flash Blue.
- 2 Turn on your A2DP Bluetooth device and enable Bluetooth on your Bluetooth device, select "**Knit Timpani**" from the device list to pair. If asked for a password, enter "**0000**". Once Bluetooth has paired successfully, the Bluetooth LED will turn solid Blue.
- 3 Press the PLAY / PAUSE/ SKIP + / SKIP – button to begin streaming music. Press again to pause. Double tapping will skip to next track and triple tapping will skip back to the previous track.
- 4 To disconnect, press and hold the BLUETOOTH PAIR button for 3 seconds.

**NOTES:** If the unit fails to pair with your Bluetooth device, go to your Bluetooth Setting menu, then select **Knit Timpani "Info"**. For Android device, select "**Unpair**", if using an Apple OS device, select "**Forget this Device**". When Knit Timpani appears in your list of Bluetooth devices, select it to complete pairing.



## RECONNECTING YOUR BLUETOOTH DEVICES

Once your Bluetooth device has been paired with KW101, it is simple to reconnect.

- 1 Make sure the speaker is powered on and within range.
- 2 Select “*Knit Timpani*” from the list on your Bluetooth device.
- 3 The blue LED will change from flashing to solid, indicating that your Bluetooth device is reconnected.

**NOTES:** Volume is controlled by both the volume setting on your device and on Timpani. For best audio performance, turn the volume on your Bluetooth source device all the way up.

Timpani can only play audio from one source at a time. If Timpani is connected to Line-In source, the Bluetooth will not function. Simply unplug the 3.5mm Line-In audio cable and press the BLUETOOTH PAIR button to switch to Bluetooth (if necessary, select “*Knit Timpani*” on your Bluetooth device).

Timpani will automatically turn off if there is no music playback or connection after 10 minutes.



## LINE-IN CONNECTION

You can also play audio from other Line-In digital sources using a standard 3.5mm Line In audio cable (included).

- 1 Press the POWER button to turn on Timpani.
- 2 Insert one end of the 3.5mm audio cable into the Line-In jack on the bottom.
- 3 Insert the other end of the 3.5mm audio cable into the Line-Out or headphone jack of your external audio device (e.g. iPad, mobile phone, MP3 player, digital media player, etc.)

**NOTES:** For best audio performance and minimal distortion, avoid turning the volume all the way up on your audio device when using Line-In.





## FAQ's

**Q: Most Bluetooth pairing issues are a result of swapping Bluetooth sources before terminating the current connection. This sometimes causes the Timpani to remain connected, or paired, to the previous audio device. That said, the Bluetooth sync needs to be reset on your Timpani speaker, as well as on your compatible Bluetooth device.**

**A:** To disconnect Bluetooth connection on the KW101, press and hold the BLUETOOTH PAIR button for 3 seconds. The blue LED light on the top of the unit will flash, indicating that the KW101 is searching for a compatible Bluetooth device.

Next you will want to go into the Bluetooth settings on your compatible Bluetooth device and clear "**Forget This Device**" from the list (and any other Bluetooth-enabled device you may have previously paired with the KW101).

Now with the KW101 powered on, try searching for Bluetooth compatible devices under the Bluetooth settings menu of your Bluetooth-enabled device. After a few seconds it should detect the "**Knit Timpani**", at which time you can select "**Knit Timpani**" and establish a new connection.

**Q: If I hear distortion, what should I do?**

**A:** Lower the volume on your Timpani speaker, and increase the volume on your audio source.

**Q: What if I hear Intermittent sound?**

**A:** Move the audio source and the speaker closer together, within 30' of each other.

**Q: I cannot play audio via Bluetooth.**

**A:** Confirm your device is A2DP Bluetooth compatible. Ensure that both your Bluetooth device and speaker are not connected to any other devices.

Unpair speaker from your Bluetooth device (check with your device manufacturer for more information about Bluetooth pairing.) then re-pair following the steps in the section BLUETOOTH PAIRING.

## Specifications

### **GENERAL:**

Power Adapter AC Input: 100-240V ~ 50/60Hz

Power Adapter DC Output: 15V 1.2A

Output Power: 10W x 2 <1% THD

Dimensions (W x D x H): 5.28" x 5.28" x 9.3"  
(134 x 134 x 236mm)

### **BLUETOOTH:**

Bluetooth specification: v3.0

Supported Profile: A2DP

Range: 33 feet (10m) line of sight

*Specifications are subject to change without notice.*

[support@knitaudio.com](mailto:support@knitaudio.com)

(855) 692-9192 M-F 9AM-8PM EST

Designed in Los Angeles. Made in China. Distributed by Life Lab International Ltd.

KNIT™ is a registered trademark of Goodhatch LLC.

The Bluetooth® word mark and logos are registered trademarks owned by Bluetooth SIG, Inc. and any use of such marks by Life Lab International LTD. is under license. Other trademarks and trade names are those of their respective owners.

# IMPORTANT SAFETY NOTIFICATIONS



**CAUTION**

**RISK OF ELECTRIC SHOCK  
DO NOT OPEN**



**CAUTION:** TO REDUCE THE RISK OF ELECTRIC SHOCK, DO NOT REMOVE COVER (OR BACK). NO USER-SERVICEABLE PARTS INSIDE. REFER SERVICING TO QUALIFIED SERVICE PERSONNEL.



**DANGEROUS VOLTAGE:** The lightning flash with arrowhead symbol, within an equilateral triangle is intended to alert the user to the presence of uninsulated dangerous voltage within the product's enclosure that may be of sufficient magnitude to constitute a risk of electric shock to persons.



**ATTENTION:** The exclamation point within an equilateral triangle is intended to alert the user to the presence of important operating and maintenance (servicing) instructions in the literature accompanying the appliance.

**WARNING:** Changes or modifications to this unit not expressly approved by the party responsible for compliance could void the user's authority to operate the equipment.

**ATTENTION:** POUR ÉVITER LES CHOC ÉLECTRIQUES, INTRODUIRE LA LAME LA PLUS LARGE DE LA FICHE DANS LA BORNE CORRESPONDANTE DE LA PRISES ET POUSSER JUSQU'AU FOND.

**NOTE:** This equipment has been tested and found to comply with the limits for a Class B digital device, pursuant to Part 15 of the FCC Rules. These limits are designed to provide reasonable protection against harmful interference in a residential installation. This equipment generates, uses and can radiate radio frequency energy and, if not installed and used in accordance with the instructions, may cause harmful interference to radio communications. However, there is no guarantee that interference will not occur in a particular installation. If this equipment does cause harmful interference to radio or television reception, which can be determined by turning the equipment off and on, the user is encouraged to try to correct the interference by one or more of the following measures:

- Reorient or relocate the receiving antenna.
- Increase the separation between the equipment and receiver.
- Connect the equipment into an outlet on a circuit different from that to which the receiver is connected.
- Consult the dealer or an experienced radio/TV technician for help.

**Compliance information:** This device complies with Part 15 of the FCC Rules. Operation is subject to the following two conditions: (1) this device may not cause harmful interference, and (2) this device must accept any interference received, including interference that may cause undesired operation.

**WARNING:** TO PREVENT FIRE OR SHOCK HAZARD, DO NOT EXPOSE THIS UNIT TO RAIN OR MOISTURE.

**SURGE PROTECTORS:** It is recommended to use a surge protector for AC connection. Lightning and power surges ARE NOT covered under warranty for this product.

**WARNING:** The batteries shall not be exposed to excessive heat such as sunshine, fire or the like.

**WARNING:** The mains plug is used as a disconnect device, the disconnect device shall remain readily operable.

## IMPORTANT SAFETY INSTRUCTIONS

1. Read these instructions.
2. Keep these instructions.
3. Heed all warnings.
4. Follow all instructions.
5. Do not use this apparatus near water.
6. Clean only with a dry cloth.
7. Do not block any of the ventilation openings. Install in accordance with the manufacturer's instructions.
8. Do not install near any heat sources such as radiators, heat registers, stoves, or other apparatus (including amplifiers) that produce heat.
9. Do not defeat the safety purpose of the polarized or ground-type plug. A polarized plug has two blades with one wider than the other. A grounding type plug has two blades and a third grounding prong. The wide blade or the third prong are provided for your safety. When the provided plug does not fit into your outlet, consult an electrician for replacement of the obsolete outlet.
10. Protect the power cord from being walked on or pinched particularly at plugs, convenience receptacles, and the point where they exit from the apparatus.
11. Only use attachments/accessories specified by the manufacturer.
12. Use only with the cart, stand, tripod, bracket, or table specified by the manufacturer, or sold with the apparatus. When a cart is used, use caution when moving the cart/apparatus combination to avoid injury from tip-over.
13. Unplug this apparatus during lightning storms or when unused for long periods of time.
14. Refer all servicing to qualified service personnel. Servicing is required when the apparatus has been damaged in any way, such as power-supply cord or plug is damaged, liquid has been spilled or objects have fallen into the apparatus, the apparatus has been exposed to rain or moisture, does not operate normally, or has been dropped.

### ADDITIONAL SAFETY PRECAUTIONS

- a. Do not expose this unit or the AC/DC adaptor to dripping or splashing water. Keep liquid-filled objects, such as vases, away from this unit and AC/DC adaptor.
- b. To ensure that this unit is completely disconnected, unplug it from the wall.
- c. Ensure that the AC/DC adaptor is easily accessible.
- d. Please note the information printed underneath the unit.
- e. Batteries should not be exposed to excessive heat such as direct sunshine, fire, etc.
- f. Do not impede the ventilation of this unit by covering the ventilation openings with items such as newspapers, table-cloths, curtains, etc.
- g. Keep open flames, such as lighted candles, away from this unit.
- h. Do not place this unit in closed bookcases, racks, or other spaces without proper ventilation.
- i. Use only the same or equivalent type batteries as there is a danger of explosion if the incorrect batteries are used or they are installed incorrectly.
- j. Dispose of batteries properly according to environmental regulations.

# KNITAUDIO™

