

**DO NOT PRINT  
THIS PAGE**



G-PROJECT®

# G-MEGA

BLUETOOTH WIRELESS SPEAKER



Bluetooth  
Wireless



IPX4 Water  
Resistant



Rechargeable  
Battery



DSS Dual  
Speaker Stereo

G-900M



G-PROJECT®

## Welcome to G-PROJECT

Thanks for purchasing G-MEGA and joining G-Project. For more info, please visit our website at [www.gprojectgear.com](http://www.gprojectgear.com)

**HAVE AN ISSUE?**

**E-MAIL**

**[support@gprojectgear.com](mailto:support@gprojectgear.com)**

**CALL**

**855-896-1795**

**MONDAY - FRIDAY 9AM - 5PM EST**

# G-MEGA

BLUETOOTH WIRELESS SPEAKER

## SPECIFICATIONS

Power Adapter AC Input .....	100-240V ~ 50/60Hz
Power Adapter DC Output .....	20V 2.5A
USB Jack DC Power Output .....	5V 1A
Output Power .....	2 x 40W <3% THD
Battery .....	11.1V, 6000mAh, Rechargeable Li-ion
Battery Recharging Time.....	5 hours
Battery Playback Time.....	Up to 13 hours (varies by volume level and audio content)
Water Resistance Level .....	IPX4

### **BLUETOOTH:**

Bluetooth specification .....	v5.1
Supported Bluetooth Profile.....	A2DP
Range.....	33ft (10m) line of sight

Specifications are subject to change without notice.

## PACKAGE CONTENTS:

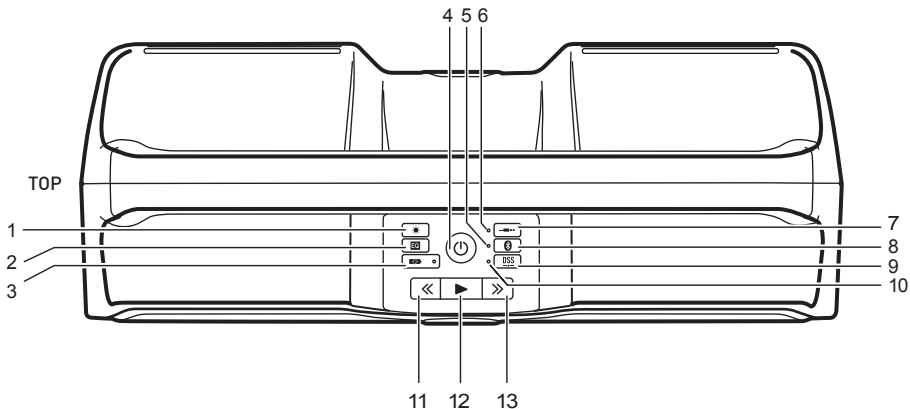
- G-MEGA Bluetooth Wireless Speaker
- AC Power Adapter
- User Guide



G-PROJECT®

# LOCATION OF CONTROLS

1. Light Button
2. EQ Button
3. LED Charging Indicator (RED)
4. Power ON/OFF Button
5. Bluetooth LED Indicator (BLUE)
6. LINE-IN LED Indicator (GREEN)
7. LINE-IN Button
8. Bluetooth PAIR Button
9. DSS Button
10. DSS LED Indicator (AMBER)
11. Skip - Button
12. Play / Pause Button
13. Skip + Button

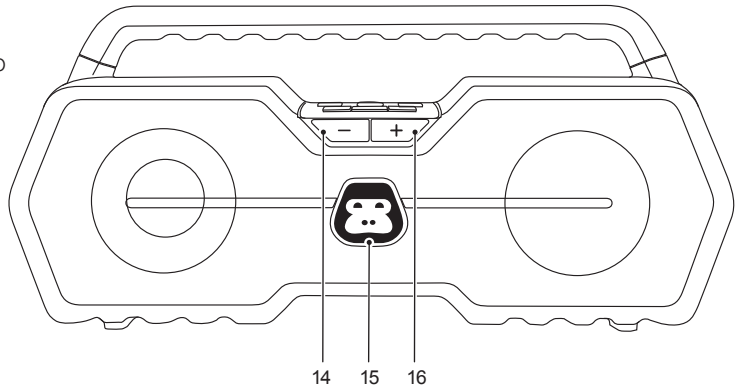


# G-MEGA

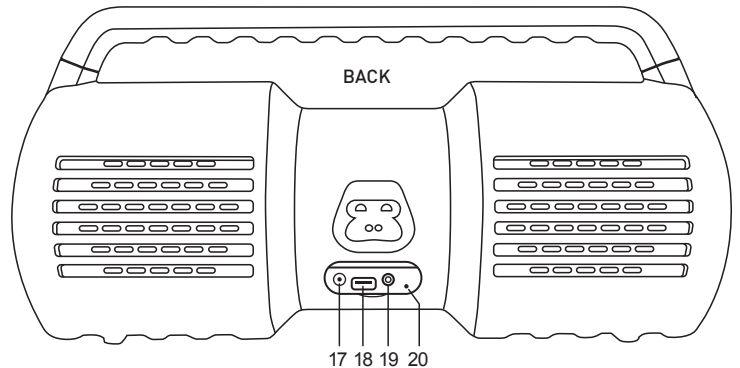
BLUETOOTH WIRELESS SPEAKER

- 14. Volume - Button
- 15. LED Lighting Logo
- 16. Volume + Button
- 17. DC IN Jack
- 18. USB Phone and Device Charging Port
- 19. LINE-IN Jack
- 20. Reset Button

FRONT



BACK





G-PROJECT®

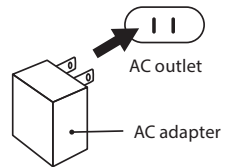
## POWER SOURCE

Connect the supplied AC adapter (DC 20V 2.5A) to the DC IN Jack on the back of G-MEGA and plug the other end into a standard wall outlet (100~240V 50-60Hz).

**NOTES:** Disconnect both ends of the AC adapter when not in use. Use only the supplied AC adapter with the following spec: AC In - 100-240V AC, 50/ 60Hz / DC Out - 20V 2.5A

## RECHARGE BATTERY

Connect the supplied AC adapter to the DC IN jack on the back of G-MEGA and plug the other end into a standard wall outlet to being automatically recharging the built-in battery. The red LED Charging indicator on G-MEGA will illuminate to indicate charging process and turn off when the battery is fully charged.



## WHEN TO RECHARGE BATTERY

When G-MEGA battery is low, the red LED Charging indicator will begin flashing to warn you to recharge your G-MEGA for continued use and enjoyment.

### NOTES

- The battery is internal and cannot be replaced
- Actual battery life varies with use, settings, and environmental conditions
- Rechargeable batteries have a limited number of charge cycles
- Charge the rechargeable battery at least biannually

# G-MEGA

BLUETOOTH WIRELESS SPEAKER

## VOLUME CONTROL

Press the VOLUME + or VOLUME – buttons to increase or decrease the volume. The LED lighting logo will flash once when the VOLUME buttons are pressed.

## EQUALIZER (EQ)

There are 3 EQ presets:

EQ1 = (Default) Dynamic: full bass and crisp high frequencies.

EQ2 = Deep: Added emphasis on bass and low mids frequencies.

EQ3 = Bright: Added emphasis on mids, vocals and high frequencies.

Press the EQ Button repeatedly to cycle through them. The LED lighting logo will flash 1, 2 or 3 times when the EQ button is pressed to indicate preset EQ1, EQ2 or EQ3 respectively.





G-PROJECT®

# BLUETOOTH OPERATION

You can stream audio wirelessly to G-MEGA from up to 33' away using your iPhone, iPad, iPod, Android, laptop, or other A2DP Bluetooth enabled device.

- 1 Press the POWER ON/OFF button to turn on G-MEGA .
- 2 Then press the BLUETOOTH PAIR button. The LED Bluetooth indicator and LED lighting logo will flash blue.
- 3 Turn on your compatible A2DP Bluetooth device and enable Bluetooth.
- 4 Search for Bluetooth devices and select “G-MEGA” .
- 5 The blue Bluetooth LED indicator and LED lighting logo will change from flashing to solid, indicating that your Bluetooth device is connected to G-MEGA.

## NOTES:

- Press and hold the Bluetooth PAIR button for 3 seconds to disconnect the current Bluetooth connection.
- The unit will return to pairing mode and the Bluetooth LED indicator and LED lighting logo will flash blue.
- If asked for a password, enter “0000”.

## RECONNECTING YOUR BLUETOOTH DEVICES

Once your Bluetooth device has been paired with G-MEGA, it is simple to reconnect them.

- 1 Make sure that G-MEGA is powered on and within range.
- 2 Select “G-MEGA ” from the list on your Bluetooth device.
- 3 The blue Bluetooth LED indicator and LED lighting logo will change from flashing to solid, indicating that your Bluetooth device is reconnected to G-MEGA .

### NOTES:

- For best audio performance, turn the volume on your Bluetooth source device all the way up.



G-PROJECT®

## DSS (DUAL SPEAKER STEREO)

With DSS, you can connect two G-MEGAs together to stream in stereo both at the same time to enjoy music with double the power and expanded stereo separation.

- 1 Power on two G-MEGA speakers and switch both to Bluetooth mode.
- 2 Follow directions to pair and connect a Bluetooth device to one G-MEGA (master)
- 3 Press DSS button on the master G-MEGA which is already connected to a Bluetooth device to enter DSS mode, the DSS LED indicator and LED lighting logo will flash amber.
- 4 Press DSS button on the other G-MEGA speaker to enter DSS mode, the DSS LED indicator and LED lighting logo will flash amber. When the two speakers are connected, the amber DSS LED indicator and LED lighting logo will change from flashing to solid.
- 5 To disconnect the DSS, press the Bluetooth PAIR Button on one G-MEGA.
- 6 Repeat the above steps to re-connect the two G-MEGA.

### NOTES:

- DSS mode requires two G-MEGA speakers.
- You need to connect a Bluetooth device to the master speaker before you enter DSS mode.
- After connected the two speakers, the volume level in these two speakers will be synchronized. and the EQ can be individually set for each speaker.
- If you cannot connect two speakers successfully, press and hold the DSS button for 3 seconds on both G-MEGA to reset memory and then repeat the above steps to connect two speakers again.
- Only Bluetooth can work with DSS. LINE-IN and LINE-IN MIX MODE do not work with DSS.

# G-MEGA

BLUETOOTH WIRELESS SPEAKER

## LINE-IN PLAYBACK

You can also play audio from other Line-In / Line-In digital sources using a standard 3.5mm Line-In audio cable (sold separately).

- 1 Press the POWER ON/OFF button to turn on G-MEGA .
- 2 Insert one end of the 3.5mm audio cable into the Line-In jack on the rear of G-MEGA and other end into the Line-Out or headphone jack of your audio device (e.g. iPad, mobile phone, MP3 player, digital media player, etc.)
- 3 Press the LINE-IN button to switch to LINE IN mode. LINE IN LED indicator will illuminate green and audio from your device will play through G-MEGA.

**NOTE:** For best audio performance and minimal distortion, avoid turning the volume all the way up on your external audio source.



G-PROJECT®

## LINE-IN MIX MODE

You can play audio from both a connected Bluetooth device and Line-in together. Connect external audio devices such as musical instruments and audio equipment with “Line Level” audio to mix together with music from your Bluetooth device.

- 1 Follow directions to pair and connect a Bluetooth device and set G-MEGA to Bluetooth as the audio source by pressing the BLUETOOTH PAIR Button.
- 2 Insert one end of the 3.5mm audio cable into the Line-In jack on the rear of G-MEGA and other end into the Line-Out or headphone jack of your audio device.
- 3 Press and HOLD the LINE-IN button. Both the blue BLUETOOTH LED Indicator and the green LINE IN LED indicator will light indicating that mix mode is active.
- 4 To disconnect the mix mode press and hold LINE IN button to return to BLUETOOTH playback mode.

**NOTE:** To set the mix level of the relative volume from each device set the volume from both the Bluetooth device and the device connected with Line-In. Then use the volume control on G-MEGA to set the master volume for playback.

**NOTE:** This Line-In port is designed to work with Line Level audio and not “High Z” sources with a high output impedance such as an electric guitar with passive pickups.

# G-MEGA

BLUETOOTH WIRELESS SPEAKER

## USB CHARGING PORT

G-MEGA includes a USB charging port (DC 5V, 1A) for charging most devices, including iPhone, iPod, Android devices and other compatible USB devices (USB cable sold separately).

**NOTE:** G-MEGA must be turned on for devices to be charged with the USB charging port.

## LED LOGO LIGHTING EFFECTS

You can adjust the multi-color lighting effect of the LED lighting logo at the front of G-MEGA. Press the LIGHT button repeatedly to select the desired mode as follows:

L01 (Multi-color) → L02 (White) → L03 (Blue) → L04 (Green) → L05 (Red) → OFF

**NOTE:** The default setting is L01 (Multi-color).



G-PROJECT®

## FAQs

### **Q: Why can I not pair my Bluetooth device?**

A: Occasionally the Bluetooth may need to be reset on your G-MEGA , and/or your Bluetooth streaming device(s).

First you will need to go into the Bluetooth settings menu on your audio streaming device and delete / 'forget this device' from the list completely.

Next you will need to clear the Bluetooth memory on your G-MEGA which can be done by pressing and holding the BLUETOOTH PAIR button for 3 seconds or until the blue LED starts blinking, indicating that G-MEGA is searching for a compatible Bluetooth device.

Now with your Bluetooth streaming device and G-MEGA both powered on, try searching for compatible devices under the Bluetooth settings menu of your audio streaming device. After a few seconds it should detect G-MEGA , at which time you can select “G-MEGA ” and establish a new connection.

### **Q: How can play my G-MEGA as loud as possible?**

A: When using Bluetooth or Line-In as the audio source, the volume of playback depends on both the volume that G-MEGA is set to as well as the volume on your connected device. To play at the loudest volume, please turn the volume up on both G-MEGA and your connected device. Note that with Line-In playback, maximizing the volume may cause distortion during playback.

# G-MEGA

BLUETOOTH WIRELESS SPEAKER

## ONE-YEAR WARRANTY

Life Lab International Ltd. (hereafter referred to as Life Lab), warrants this product to be free from defects in workmanship and materials, under normal use and conditions, for a period of one (1) year from the date of original purchase. If you are experiencing any problems with the operation or function of your product, please make sure you have reviewed our full owners manual from our website for reference or email us at support@gprojectgear.com for additional troubleshooting assistance. Should this fail to resolve the matter and service is still required by reason of any defect or malfunction during the warranty period, Life Lab will repair or, at its discretion, replace this product without charge. This decision is subject to verification of the defect or malfunction upon delivery of this product to a designated factory service center. The product must include proof of purchase, including date of purchase. Before returning this product for service:

1. Contact customer service to receive a Return Authorization number (RA#).
2. Pack the unit in a well padded, heavy corrugated box.
3. Enclose a photocopy of your sales receipt, credit card statement, or other proof of original date of purchase, if within the warranty period.
4. Write issued RA# on the top of shipping box.
5. Ship the package from shipping company of your choice, prepaid and insured, to the Life Lab Service Center address supplied by the Customer Service Representative. Be sure to save your tracking number

**Disclaimer of Warranty:** This warranty is valid only if the product is used for the purpose for which it was designed. It does NOT cover: (i) products which have been damaged by negligence or willful actions, misuse or accident, or which have been modified or repaired by unauthorized persons; (ii) cracked or broken cabinets, or units damaged by excessive heat; (iii) damage to digital media players; (iv) the cost of shipping this product to the Consumer Repair Department.

This warranty is valid only in the United States of America and does not extend to owners of the product other than to the original purchaser. In no event will LifeLab or any of its affiliates, contractors or resellers, their officers, directors, shareholders, members, or agents be liable to you or any third party for any consequential or incidental damages, any lost profits, actual, exemplary or punitive damages. (Some states do not allow limitations on implied warranties or exclusion of consequential damages, so these restrictions may not apply to you.) This warranty gives you specific legal rights, and you may also have other rights which vary from state to state. Your acknowledgment and agreement to fully and completely abide by the above mentioned disclaimer of warranty is contractually binding to you upon your transfer of currency (money order, cashier's check, or credit card) for purchase of your G-Project product.





G-PROJECT®

# IMPORTANT SAFETY NOTIFICATIONS



**CAUTION:** TO REDUCE THE RISK OF ELECTRIC SHOCK, DO NOT REMOVE COVER (OR BACK). NO USER-SERVICEABLE PARTS INSIDE. REFER SERVICING TO QUALIFIED SERVICE PERSONNEL.



**DANGEROUS VOLTAGE:** The lightning flash with arrowhead symbol, within an equilateral triangle is intended to alert the user to the presence of uninsulated dangerous voltage within the product's enclosure that may be of sufficient magnitude to constitute a risk of electric shock to persons.



**ATTENTION:** The exclamation point within an equilateral triangle is intended to alert the user to the presence of important operating and maintenance (servicing) instructions in the literature accompanying the appliance.

**NOTE:** Any unapproved changes or modifications will void the warranty.

# G-MEGA

BLUETOOTH WIRELESS SPEAKER

**WARNING:** Changes or modifications to this unit not expressly approved by the party responsible for compliance could void the user's authority to operate the equipment.

**ATTENTION:** POUR ÉVITER LES CHOC ÉLECTRIQUES, INTRODUIRE LA LAME LA PLUS LARGE DE LA FICHE DANS LA BORNE CORRESPONDANTE DE LA PRISES ET POUSSER JUSQU'AU FOND

**NOTE:** This equipment has been tested and found to comply with the limits for a Class B digital device, pursuant to Part 15 of the FCC Rules. These limits are designed to provide reasonable protection against harmful interference in a residential installation. This equipment generates, uses and can radiate radio frequency energy and, if not installed and used in accordance with the instructions, may cause harmful interference to radio communications. However, there is no guarantee that interference will not occur in a particular installation. If this equipment does cause harmful interference to radio or television reception, which can be determined by turning the equipment off and on, the user is encouraged to try to correct the interference by one or more of the following measures:

- Reorient or relocate the receiving antenna.
- Increase the separation between the equipment and receiver.
- Connect the equipment into an outlet on a circuit different from that to which the receiver is connected.
- Consult the dealer or an experienced radio/TV technician for help.

**Compliance information:** This device complies with Part 15 of the FCC Rules. Operation is subject to the following two conditions: (1) this device may not cause harmful interference, and (2) this device must accept any interference received, including interference that may cause undesired operation

**WARNING: TO PREVENT FIRE OR SHOCK HAZARD, DO NOT EXPOSE THIS UNIT TO RAIN OR MOISTURE.**

**SURGE PROTECTORS:** It is recommended to use a surge protector for AC connection. Lightning and power surges ARE NOT covered under warranty for this product.

**WARNING:** The batteries shall not be exposed to excessive heat such as sunshine, fire or the like.

**WARNING:** The mains plug is used as a disconnect device, the disconnect device shall remain readily operable.



G-PROJECT®

# IMPORTANT SAFETY INSTRUCTIONS

Some of the following information may not apply to your particular product; however, as with any electronic product, precaution should be observed during handling and use.

1. Read these Instructions.
2. Keep these Instructions.
3. Heed all Warnings.
4. Follow all Instructions.
5. Do not use this apparatus near water.
6. Clean only with a dry cloth.
7. Do not block any of the ventilation openings. Install in accordance with the manufacturer's instructions.
8. Do not install near any heat sources such as radiators, heat registers, stoves, or other apparatus (including amplifiers) that produce heat.
9. Do not defeat the safety purpose of the polarized or grounding-type plug. A polarized plug has two blades with one wider than the other. A grounding-type plug has two blades and a third grounding prong. The wide blade or the third prong are provided for your safety. When the provided plug does not fit into your outlet, consult an electrician for replacement of the obsolete outlet.
10. Protect the power cord from being walked on or pinched particularly at plugs, convenience receptacles, and the point where they exit from the apparatus.
11. Only use attachments/accessories specified by the manufacturer.
12. Use only with a cart, stand, tripod, bracket, or table specified by the manufacturer, or sold with the apparatus. When a cart is used, use caution when moving the cart/apparatus combination to avoid injury from tip-over.
13. Unplug this apparatus during lightning storms or when unused for long periods of time.
14. Refer all servicing to qualified service personnel. Servicing is required when the apparatus has been damaged in any way, such as power-supply cord or plug is damaged, liquid has been spilled or objects have fallen into the apparatus, the apparatus has been exposed to rain or moisture, does not operate normally, or has been dropped.

## ADDITIONAL SAFETY PRECAUTIONS

- a. Do not expose this unit or the AC/DC adapter to dripping or splashing water. Keep liquid-filled objects, such as vases, away from this unit and AC/DC adapter.
- b. To ensure that this unit is completely disconnected, unplug it from the wall.
- c. Ensure that the AC/DC adapter is easily accessible.
- d. Please note the information printed underneath the unit.
- e. Batteries should not be exposed to excessive heat such as direct sunshine, fire, etc.
- f. Do not impede the ventilation of this unit by covering the ventilation openings with items such as newspapers, table-cloths, curtains, etc.
- g. Keep open flames, such as lighted candles, away from this unit.
- h. Do not place this unit in closed bookcases, racks, or other spaces without proper ventilation.
- i. Use only the same or equivalent type batteries as there is a danger of explosion if the incorrect batteries are used or they are installed incorrectly.
- j. Dispose of batteries properly according to environmental regulations



# G-PROJECT®

G-PROJECT is a registered trademark of Goodhatch, LLC.

G-MEGA is distributed by

**LifeLab International LLC** • 3471 North Union Drive, Olney, IL 62450 • (855) 896-1795

The Bluetooth® word mark and logos are registered trademarks owned by Bluetooth SIG, Inc. and any use of such marks by Life Lab International LTD. is under license.

Other trademarks and trade names are those of their respective owners.