

FRONT "cover" sheet

11.69 (297mm) width

16.54 (420.1mm) height



G-PROJECT™

G-GO™

Portable Wireless Speaker

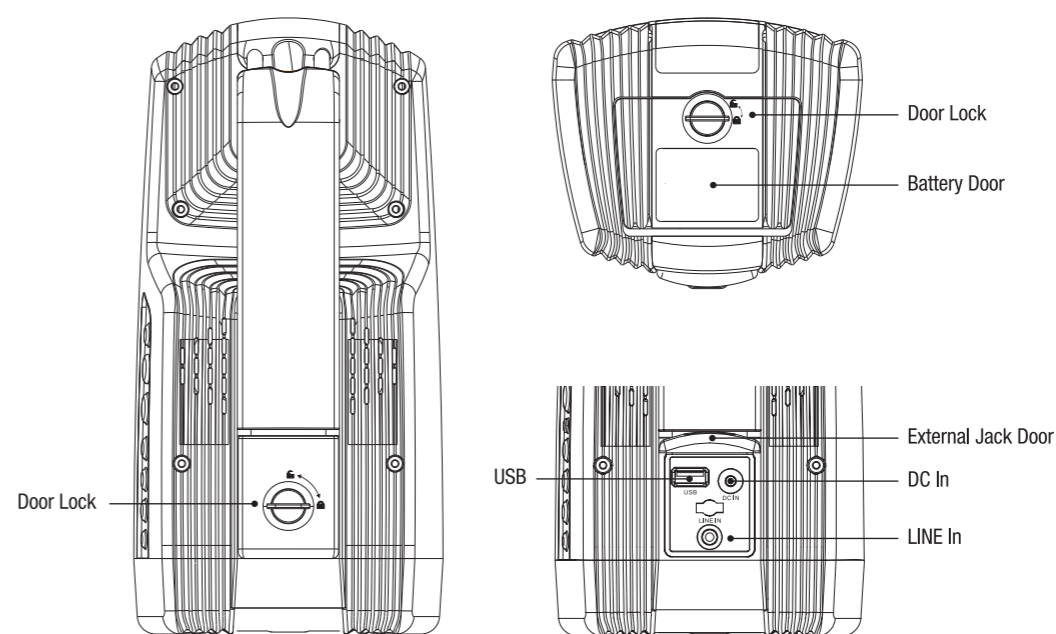
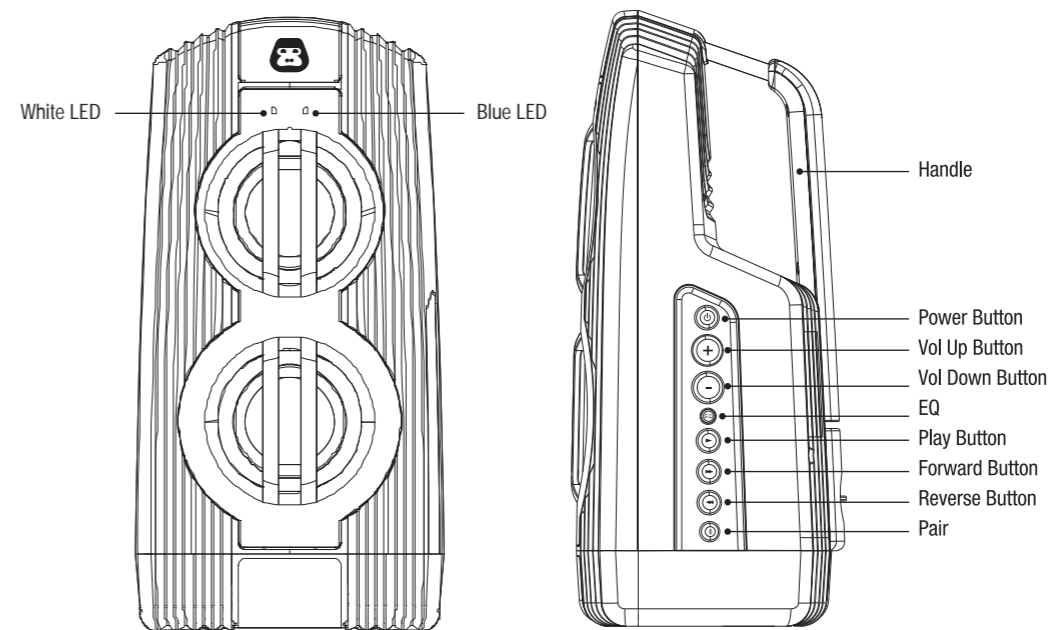
User Guide



Stream audio from any A2DP Bluetooth device

- iPad
- iPhone, iPod touch
- Android devices
- Blackberry phones

YOUR G-GO™



Welcome to G-PROJECT™

Thanks for purchasing a G-GO and joining the G-Project. With just the right combination of performance, durability, features, and style at the right price, our goal is to provide rugged speakers and accessories that fit your modern lifestyle. We hope you agree.

For more info, please visit our website at www.go-g-project.com

PACKAGE CONTENTS

Your G-GO comes with the following:

- AC Power Adapter
- 3.5mm Line In Audio Cable
- User Guide

IMPORTANT SAFETY NOTIFICATIONS



CAUTION
RISK OF ELECTRIC SHOCK
DO NOT OPEN



CAUTION: TO REDUCE THE RISK OF ELECTRIC SHOCK, DO NOT REMOVE COVER (OR BACK). NO USER-SERVICEABLE PARTS INSIDE. REFER SERVICING TO QUALIFIED SERVICE PERSONNEL.



DANGEROUS VOLTAGE: The lightning flash with arrowhead symbol, within an equilateral triangle is intended to alert the user to the presence of uninsulated dangerous voltage within the product's enclosure that may be of sufficient magnitude to constitute a risk of electric shock to persons.



ATTENTION: The exclamation point within an equilateral triangle is intended to alert the user to the presence of important operating and maintenance (servicing) instructions in the literature accompanying the appliance.

NOTE: Any unapproved changes or modifications will void the warranty.

Section 15.105 Information to the user.

NOTE: This equipment has been tested and found to comply with the limits for a Class B digital device, pursuant to Part 15 of the FCC Rules. These limits are designed to provide reasonable protection against harmful interference in a residential installation. This equipment generates, uses and can radiate radio frequency energy and, if not installed and used in accordance with the instructions, may cause harmful interference to radio communications. However, there is no guarantee that interference will not occur in a particular installation.

If this equipment does cause harmful interference to radio or television reception, which can be determined by turning the equipment off and on, the user is encouraged to try to correct the interference by one or more of the following measures:

- Reorient or relocate the receiving antenna.
- Increase the separation between the equipment and receiver.
- Connect the equipment into an outlet on a circuit different from that to which the receiver is connected.
- Consult the dealer or an experienced radio/TV technician for help.

Changes or modifications not expressly approved by the party responsible for compliance could void the user's authority to operate the equipment.

SURGE PROTECTORS:

It is recommended to use a surge protector when connected to AC power. Lightning and power surges are NOT covered under the product warranty.

WATER RESISTANT

Your G-GO is designed to be used in kitchen, beach, pool, patio and other environments that may include exposure to water.

NOTES: The Battery Door and External Jack Door must be securely closed and locked to ensure water-resistance. If either of them are not fully closed and locked, your G-GO will be susceptible to water damage.

The water-resistant design is intended to withstand water splashing from all angles. It is NOT intended for prolonged, high pressure, or submersion water exposure.

GO ANYWHERE

Built tough to enjoy anywhere around the house, yard or garage or take with your to the beach, picnic, ballpark or camping.

LED STATUS INDICATOR

LED	LED Status	Speaker Status
White LED	Steady	Power ON
	Flashes	Music is paused or
		Volume button pressed or
Blue LED	Steady	EQ Setting indication or
		Battery is low
	Flashes	Connected to Bluetooth device
		Bluetooth Pairing mode
		Bluetooth Connecting mode

11.69 (297mm) width

INTERIOR sheet



G-PROJECT™

G-GO™

Portable Wireless Speaker

GETTING CHARGED UP

- To use your G-GO with an existing power source, connect the supplied Power Adaptor (DC 9V 1.8A) to the DC IN jack on the back of your G-GO (located underneath the External Jack Door) and plug the other end into a standard wall outlet (100-240V 50-60Hz).
- For portable use, you can install batteries to power your G-GO:
 - Unlock the battery door on the bottom of your G-GO by rotating the lock to the unlocked position
 - Press down on the back edge of the battery door to open it, as shown below (Figure 1):
 - Insert four "AA" batteries in the battery compartment as indicated, being careful to observe proper polarity
 - Close the battery door and rotate the lock to the locked position

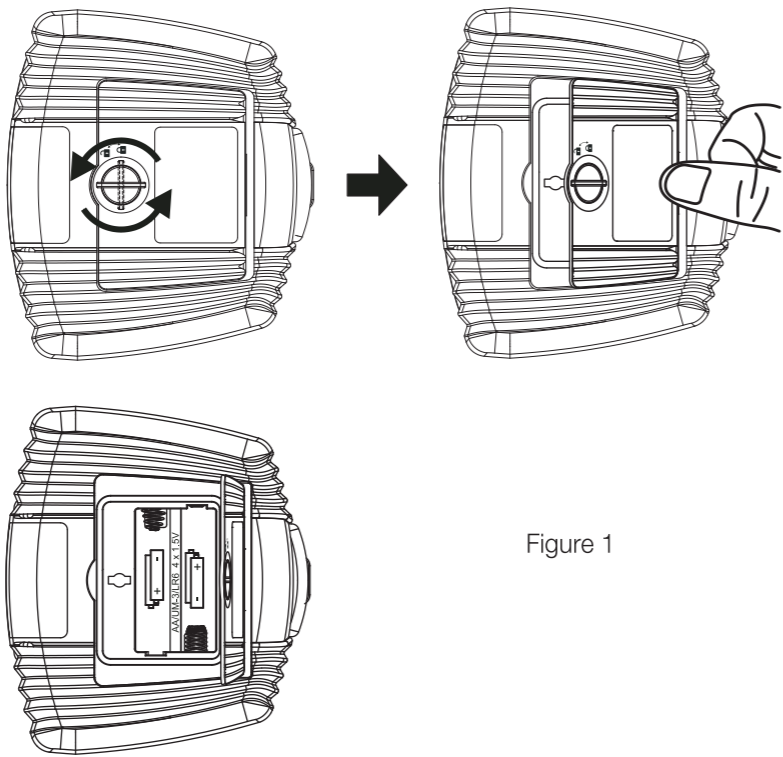


Figure 1

PRECAUTIONS WHEN USING BATTERIES

- Use only the size and type of batteries specified (AA)
- Do not mix different types of batteries together (e.g. alkaline, rechargeable and standard carbon Zinc) or old batteries with fresh ones
- Dead batteries must be removed to prevent battery leakage
- Dispose of batteries properly according to environmental regulations
- Batteries should not be exposed to excessive heat such as sunshine, fire, etc.

- Press the Power Button and the white LED will illuminate. Note that for portable use, the white LED will flash when the batteries are low and need to be replaced.
- Your G-GO also includes a USB power jack (DC 5V 1A) on the back (located underneath the External Jack Door) that can charge most standard USB devices, including most iPods, iPhones, and Android devices

TROUBLESHOOTING

Issue	Solution
Distortion	Lower the volume on your G-GO and/or audio source
Not loud enough	Turn up the volume on your G-GO and/or audio source
Intermittent sound	Replace the batteries or use the included Power Adapter
	If using Bluetooth, move the audio source and G-GO closer together (within the 33' range) Unpair G-GO from your Bluetooth device (check with your device manufacturer for more information about Bluetooth pairing), then re-pair following the steps in the section GET CONNECTED
Cannot play audio via Bluetooth	Confirm your device is A2DP Bluetooth compatible Ensure that both your Bluetooth device and G-GO are not connected to any other devices
	If your G-GO is connected to a Line In source, the Bluetooth will not function. Unplug the 3.5mm Line In audio cable and press the Pair Button to switch to Bluetooth Unpair G-GO from your Bluetooth device (check with your device manufacturer for more information about Bluetooth pairing), then re-pair following the steps in the section GET CONNECTED

GET CONNECTED

STREAMING AUDIO WIRELESSLY FROM DEVICES WITH



You can stream audio wirelessly to your G-GO from up to 33' away using your iPod touch, iPhone, iPad, Android, laptop, or other A2DP Bluetooth enabled device.

- Press the Power Button to turn on your G-GO and then press the Pair Button. The Blue LED on your G-GO will flash.
- On your A2DP-enabled device (check with your device manufacturer to ensure that it supports the A2DP Bluetooth profile), enable Bluetooth, then search for Bluetooth devices and select "G-GO by G-Project". If asked for a passcode, enter "0000".
- The Blue LED on your G-GO will change from flashing to solid and it will beep twice, indicating that your Bluetooth device is connected to your G-GO.

NOTE: Press and hold the Pair Button for 3 seconds to disconnect the Bluetooth connection. Your G-GO will return to pairing mode and the Blue LED will flash.

- Once your Bluetooth device has been paired with your G-GO, it is simple to reconnect them. Make sure that your G-GO is on and within range and simply select "G-GO" from the list on your Bluetooth device (check with your device manufacturer for more information about Bluetooth pairing).

NOTES: For the best audio performance, turn the volume on your Bluetooth source device all the way up.

Your G-GO can only play audio from one source at a time. If your G-GO is connected to a Line In source, the Bluetooth will not function. Simply unplug the 3.5mm Line In audio cable and press the Pair Button to switch to Bluetooth (if necessary, select "G-GO by G-Project" on your Bluetooth device).

CONNECTING AUDIO DEVICES THROUGH LINE IN

You can also play audio from other devices using a standard 3.5mm Line In audio cable.

Press the Power Button to turn on your G-GO, then insert one end of a standard 3.5mm Line In audio cable into the Line In jack on the back of your G-GO (located underneath the External Jack Door) and the other end into the Line Out or headphone jack of your audio device.

NOTE: For the best audio performance and minimal distortion, avoid turning the volume on your audio source all the way up.

GET IN CONTROL

PLAY/PAUSE

Press the Play Button (▶) to start playback. Press again to pause playback. The White LED will flash while the music is paused.

VOLUME CONTROL

Increase or decrease the volume using the + or - buttons. The White LED will flash once when the Volume Buttons are pressed. The White LED will remain lit at maximum or minimum volume.

EQUALIZER (EQ)

There are 4 EQ presets:

EQ1 = **Flat**, EQ2 = **Rock**, EQ3 = **Pop**, EQ4 = **Jazz**.

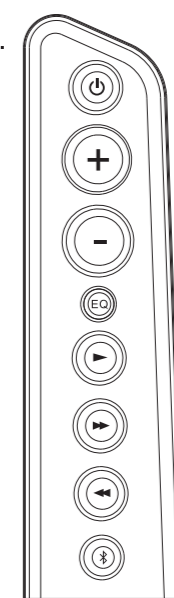
Press the EQ Button repeatedly to cycle through them. The White LED will flash 1, 2, 3, or 4 times when the EQ Button is pressed to indicate preset EQ1, EQ2, EQ3, or EQ4, respectively.

NOTE: The default setting is EQ1 (Flat).

FORWARD OR REVERSE

Press the Forward button (▶▶) or Reverse button (◀◀) to skip between tracks.

NOTE: The Forward and Reverse buttons do NOT function, when playing music through Line-in.



SPECIFICATIONS

- Class 2 Bluetooth Range: 33ft (10m)
- Supported Bluetooth profile: A2DP
- Power: 2 x 3W <10%THD
- Approximate Battery Life: 8 hours (varies with volume level and audio content)
- Power Adaptor AC Input: 100-240V 50-60Hz
- Power Adaptor DC Output: 9V 1.8A
- Batteries: 4 x "AA" (not included)
- USB jack DC power output: 5V 1A
- Water resistance level: IPX4

NOTE: Specifications are subject to change without notice.

For further assistance, please visit our website at www.go-g-project.com or contact customer service at support@go-g-project.com or 1-855-896-1795

Life Lab International Ltd.

16.54 (420.1mm) height