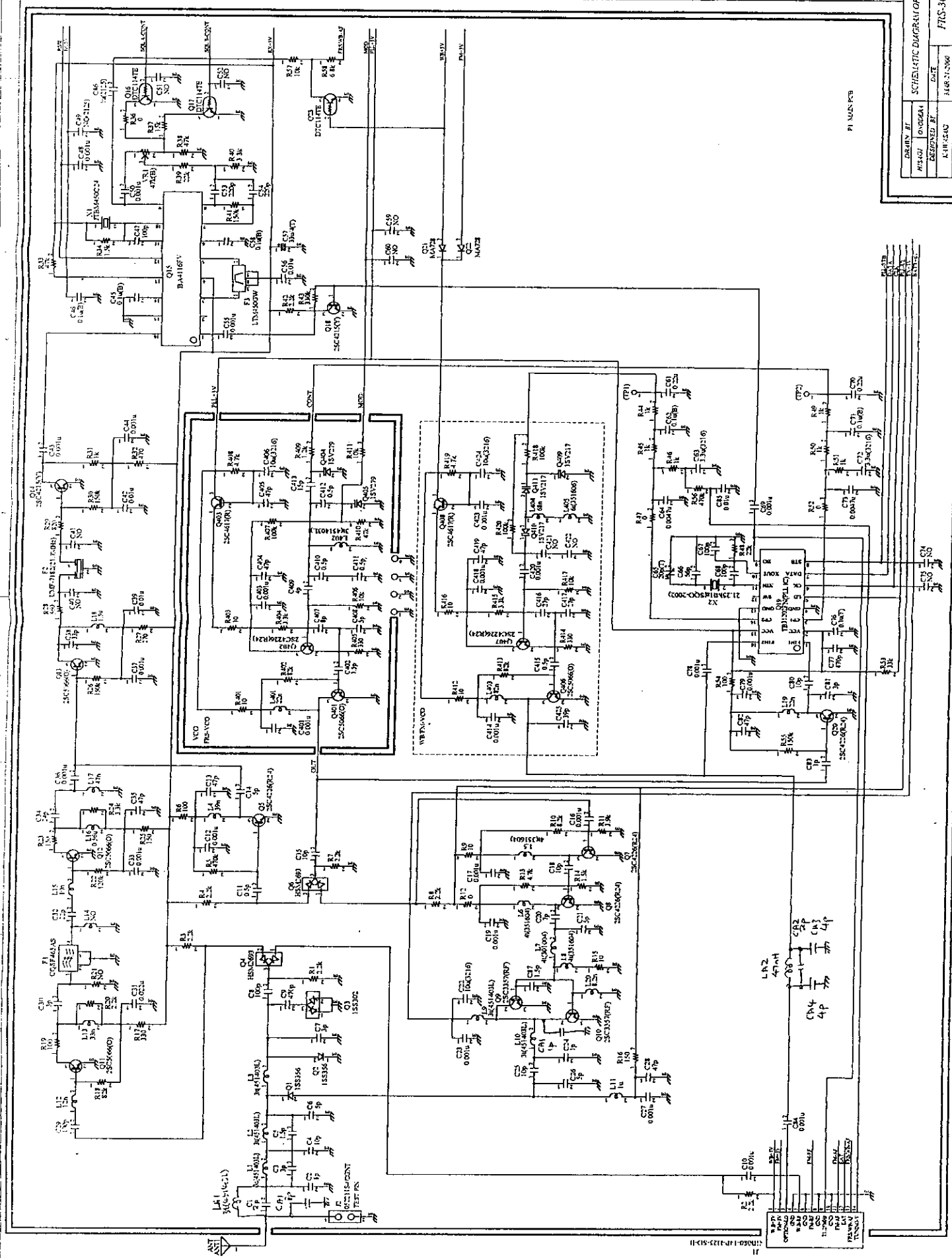
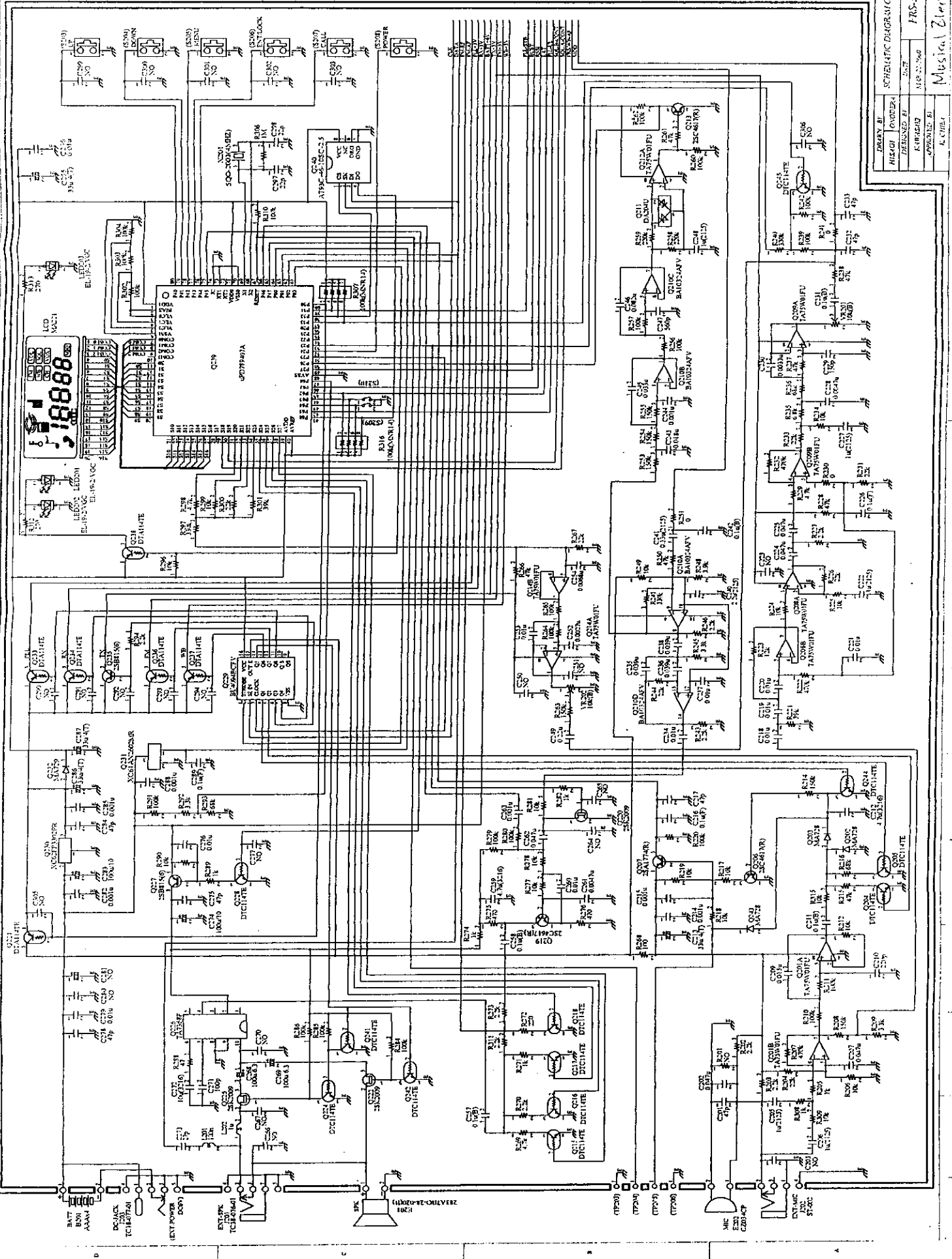


DESIGN BY	APPROVED BY	DATE	SCHEMATIC DIAGRAM OF FRS-300A1
DESIGNED BY	APPROVED BY	DATE	
APPROVED BY	APPROVED BY	DATE	
FRS-300A1 1/3 Musical Electronic LTD			

P1 MAIN PCB

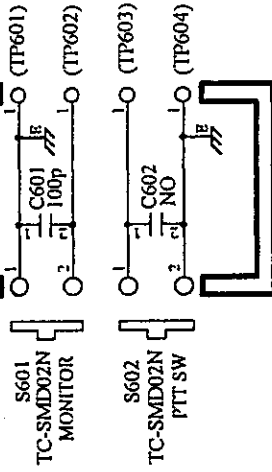


FRS-300A1-1/3-5111



MAR-01-2000

F601 PTT PCB



DRAWN BY		SCHEMATIC DIAGRAM OF	
HISAGI	ONODERA	FRS-300A1	
DESIGNED BY		DATE	
KAWASAKI		MAR-01-2000	
APPROVED BY		FRS-300A1 3/3	
K. CHIBA		Musical Electronics LTD	