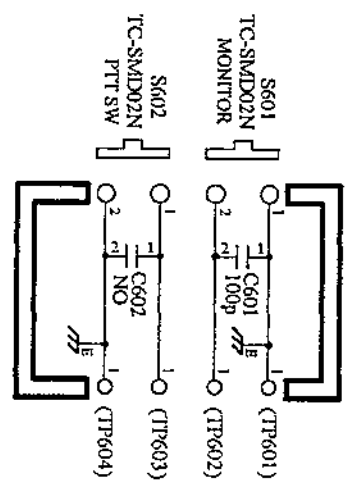
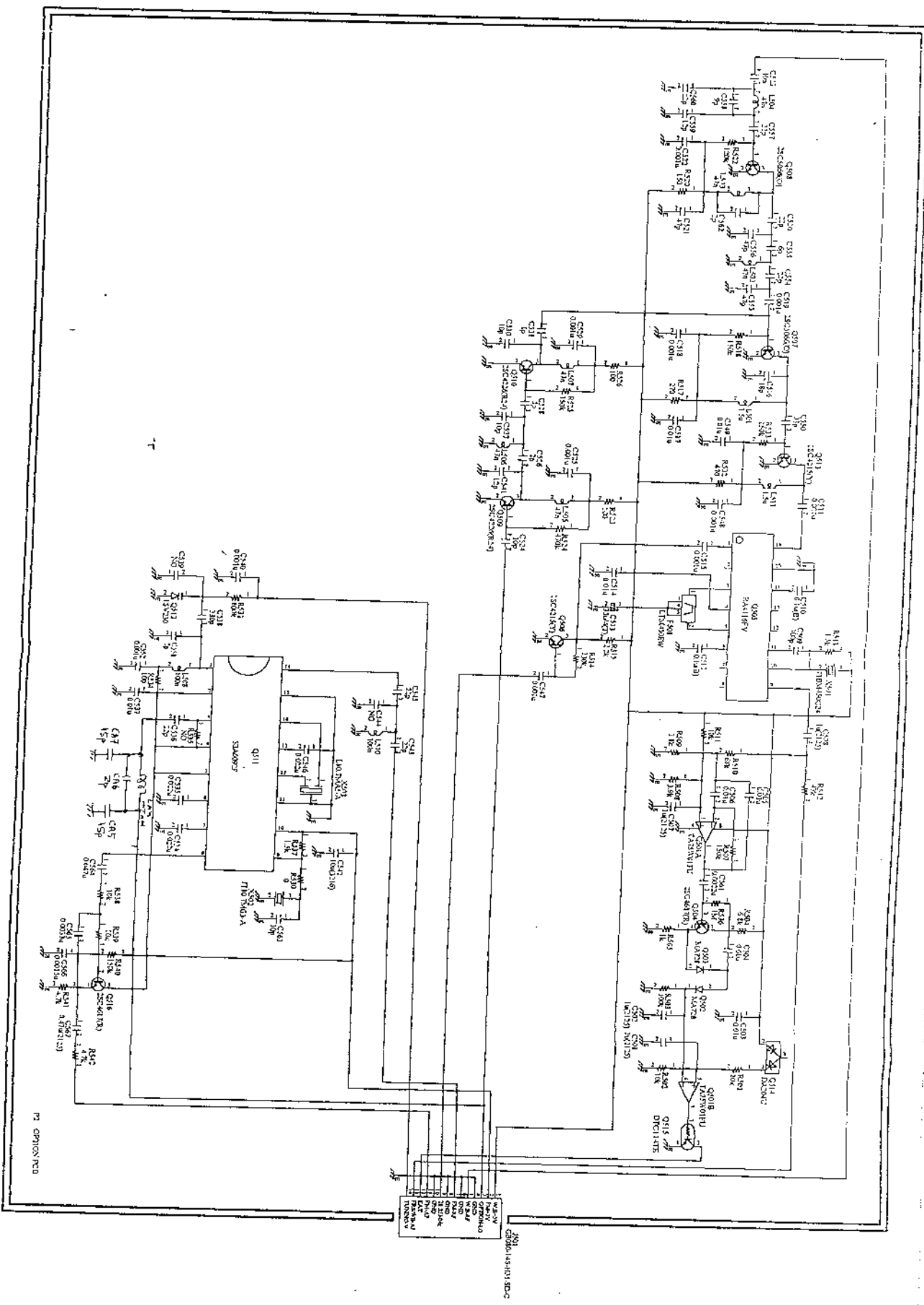


MAR-01-2000

P601 PTT PCB



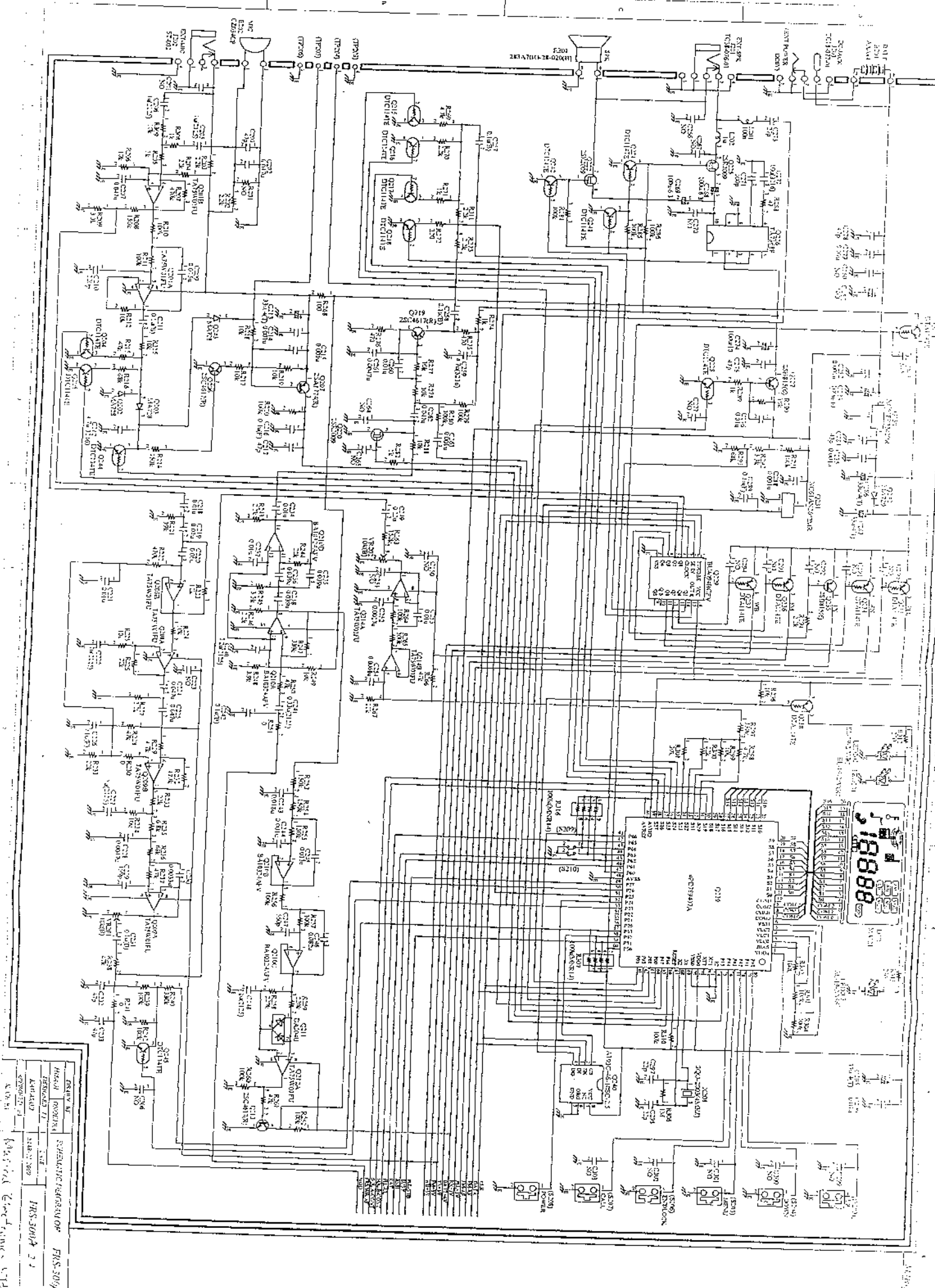
DRAWN BY	HISAGI ONODERA	SCHEMATIC DIAGRAM OF FRS-300A	
DESIGNED BY	KAIYASAKI	DATE	FRS-300A 4/4
APPROVED BY	K. CHIBA	Musical Electronics LTD	



P1 OPERATOR

DATE	REVISION
APR 1954	1
DESIGNED BY	W. J. BROWN
CHECKED BY	W. J. BROWN
APPROVED BY	W. J. BROWN
PROJECT NO.	37
PROJECT NAME	Military Electronics LTD





DRAWN BY: [Name]  
 CHECKED BY: [Name]  
 APPROVED BY: [Name]  
 DATE: [Date]  
 SHEET NO. 1 OF 1  
 PROJECT NO. [Number]  
 TITLE: [Title]  
 REVISIONS: [List]