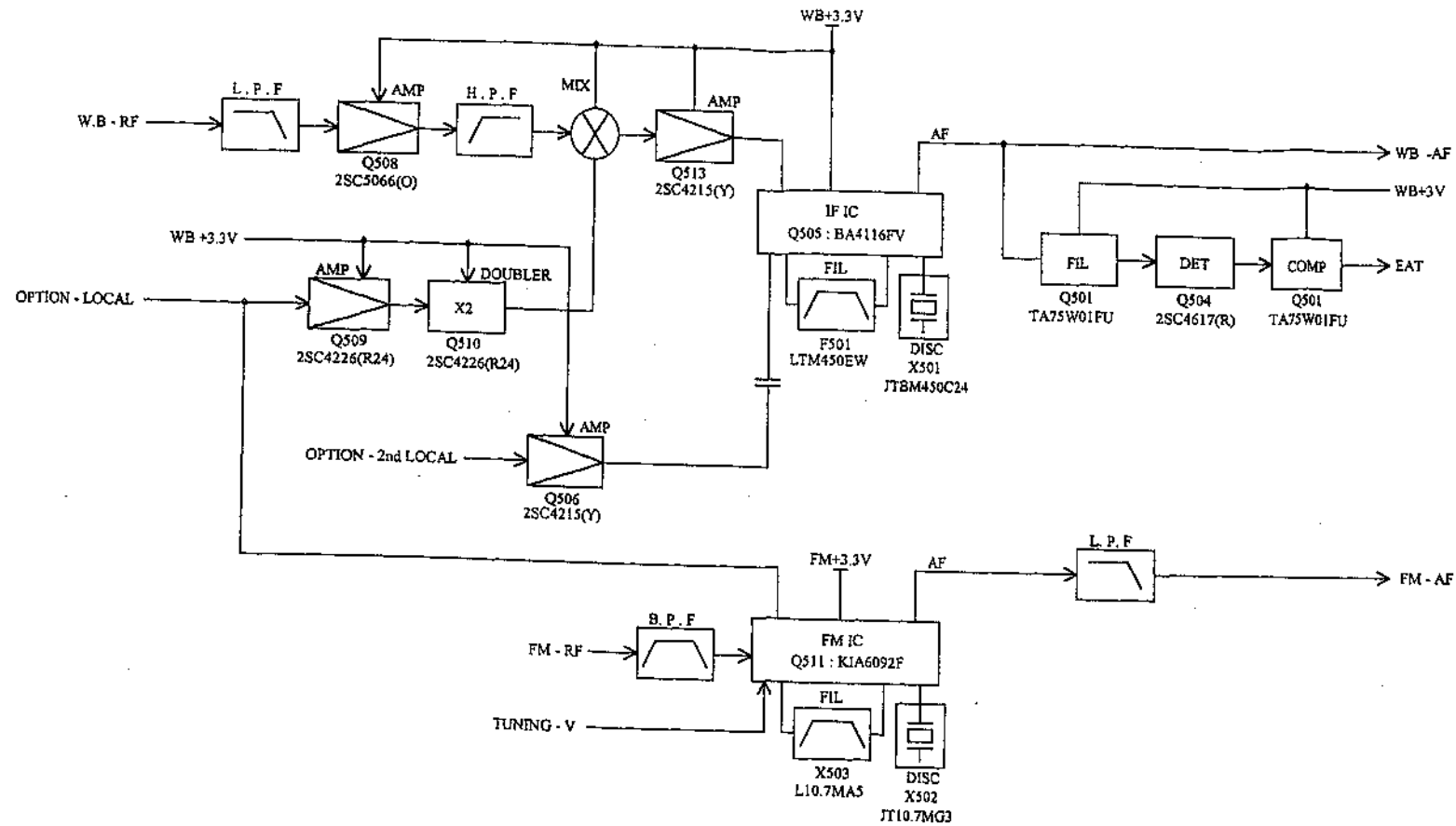


DRAWN BY		BLOCK DIAGRAM OF FRS300A	
QVODERA		DATE	
DESIGNED BY		FRS300A (1)	
KAWASAKI		FAB-17-2000	
APPROVED BY		PALCOM ENGINEERING, INC	
K. CHIBA			



DRAWN BY	BLOCK DIAGRAM OF FRS300A	
ONODERA	DATE	FRS300A (2)
DESIGNED BY	FAB-17-2000	
KAWASAKI		
APPROVED BY	PALCOM ENGINEERING, INC	
K. CHIBA		