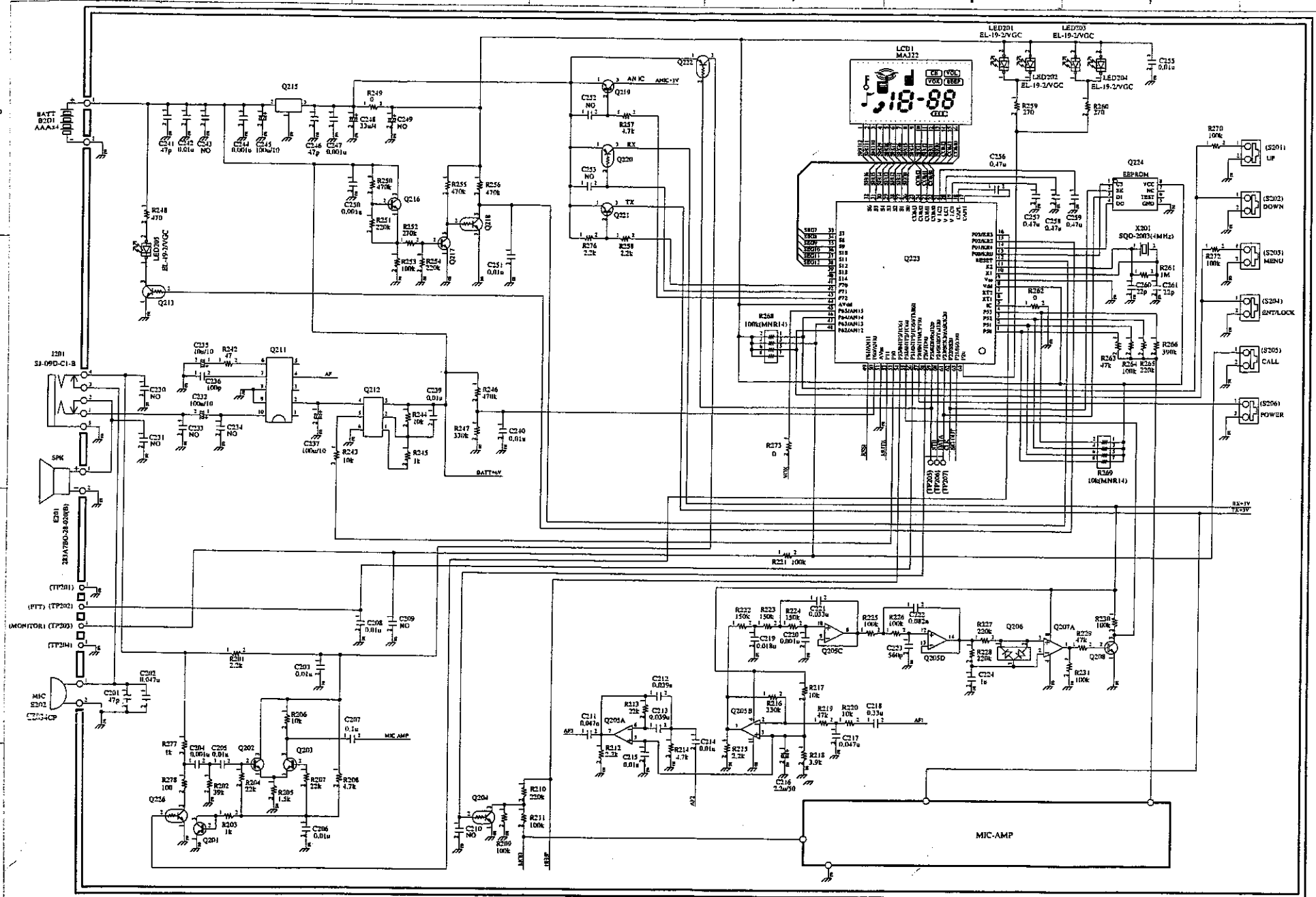


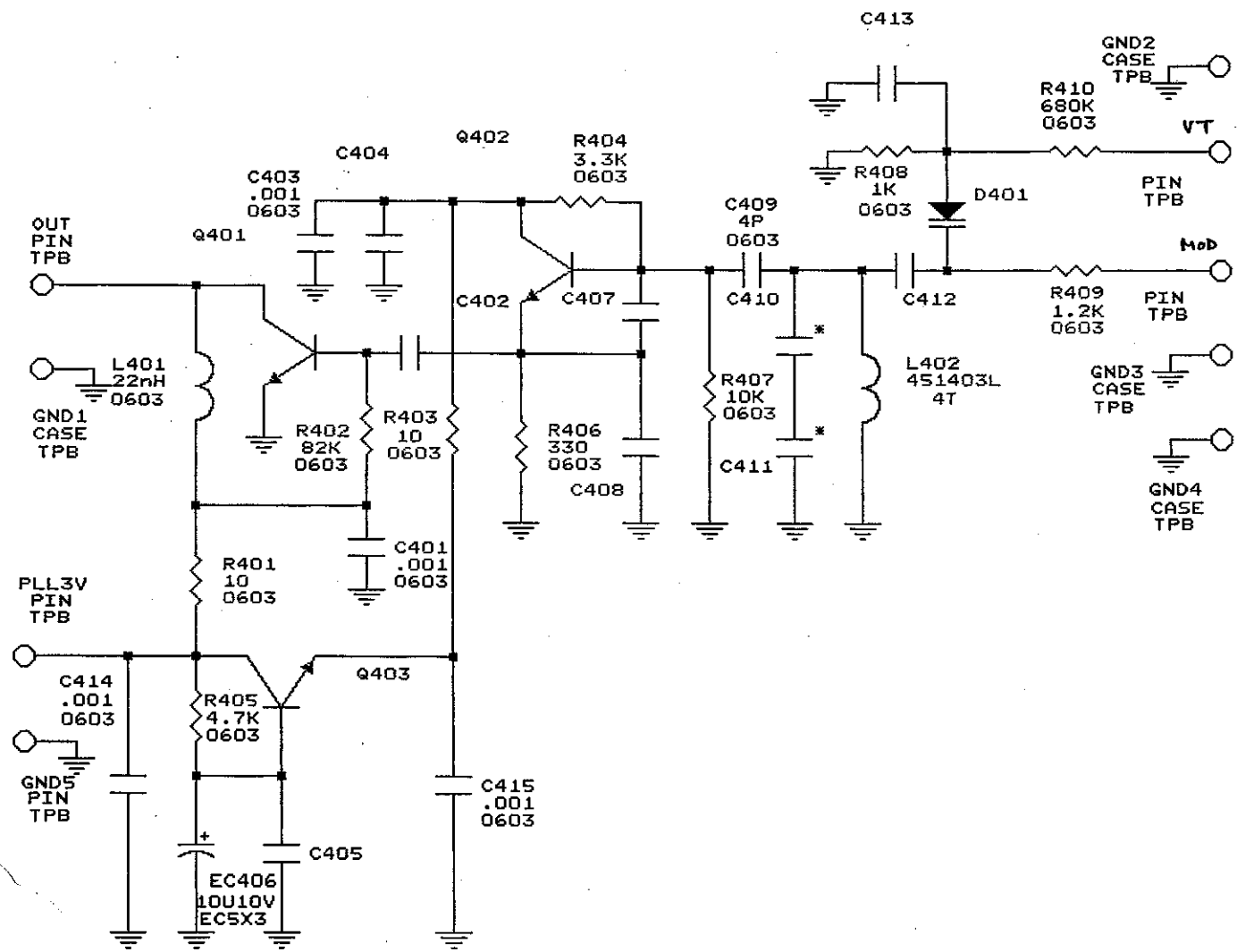
ORIGINAL

DESIGN BY	SCHEMATIC DIAGRAM OF FRS-220A	
ONCHERA	1 of 3	
DESIGNED BY	DATE	FRS-220 MAIN PCB(1/2)
KAWASAKI	JAN-31-2002	
APPROVED BY	MUSICAL	
K. CHINA		

P1 MAIN PCB(1/2)



DRAWN BY	SCHEMATIC DIAGRAM OF FRS 220A	
ONDERD	2 of 3	
DESIGNED BY	DATE	FRS 220 MAIN PCB(2/2)
KAWASAKI	JAN-31-2002	
APPROVED BY	MUSICAL ELECTRONICS LIMITED	
K. CHIBA		



VCO