



## BLUETOOTH® CD STEREO SYSTEM WITH CD PLAYER AND FM RADIO

Model: BWD19AAA06

### PRODUCT GUIDE

CAUTION: To use product properly, please read the user guide completely before initial use.

#### CAUTION

RISK OF ELECTRIC SHOCK  
DO NOT OPEN

CAUTION: TO REDUCE THE RISK OF ELECTRIC SHOCK, DO NOT REMOVE COVER (OR BACK). NO USER-SERVICEABLE PARTS INSIDE. REFER SERVICING TO QUALIFIED SERVICE PERSONNEL.



**DAANGEROUS VOLTAGE:** The lightning flash with arrowhead symbol, within an equilateral triangle is intended to alert the user to the presence of uninsulated dangerous voltage within the product's enclosure that may be of sufficient magnitude to constitute a risk of electric shock to persons.



**ATTENTION:** The exclamation point within an equilateral triangle is intended to alert the user to the presence of important operating and maintenance (servicing) instructions in the literature accompanying the appliance.



**DANGER:** This product utilizes a Class 1 laser to read Compact Discs. This laser Compact Disc Player is equipped with safety switches to avoid exposure when the CD door is open and the safety interlocks are defeated. Invisible laser radiation is present when the CD Player's lid is open and the system's interlock has failed or been defeated. It is very important that you avoid direct exposure to the laser beam at all times. Please do not attempt to defeat or bypass the safety switches.

**NOTICE:** This device complies with Part 15 of the FCC Rules. Operation is subject to the following two conditions: (1) This device may not cause harmful interference, and (2) This device must accept any interference received, including interference that may cause undesired operation.

**INFORMATION:** This equipment has been tested and found to comply with the limits for a Class B digital device, pursuant to Part 15 of the FCC Rules. These limits are designed to provide reasonable protection against harmful interference in a residential installation. This equipment generates, uses and can radiate radio frequency energy and, if not installed and used in accordance with the instructions, may cause harmful interference to radio communications. However, there is no guarantee that interference will not occur in a particular installation. If this equipment does cause harmful interference to radio or television reception, which can be determined by turning the equipment off and on, the user is encouraged to try to correct the interference by one or more of the following measures:

- Reorient or relocate the receiving antenna.
- Increase the separation between the equipment and receiver.
- Connect the equipment into an outlet on a circuit different from that to which the receiver is connected.
- Consult the dealer or an experienced radio/TV technician for help.

#### WARNING - Do not ingest the battery, Chemical Burn Hazard

The remote control supplied with this product contains a coin/button cell battery. If the coin/button cell battery is swallowed, it can cause severe internal burns in just 2 hours and can lead to death. Keep new and used batteries away from children. If the battery compartment does not close securely, stop using the product and keep it away from children. If you think batteries might have been swallowed or placed inside any part of the body, seek immediate medical attention.

### WARNINGS AND PRECAUTIONS

- **CAUTION:** To prevent electric shock, match wide blade of plug to wide slot, fully insert.
- **WARNING:** To reduce the risk of fire or electric shock, do not expose this apparatus to rain or moisture.
- **CAUTION:** Use of any controls or adjustments or performance of procedures other than those herein specified may result in hazardous radiation exposure.
- **WARNING:** Changes or modifications to this unit not expressly approved by the party responsible for compliance could void the users authority to operate the equipment.
- **WARNING:** Do not place the unit on top of any soft, porous, or sensitive surfaces to avoid damaging the surface. Use a protective barrier between the unit and surface to protect the surface.
- **WARNING:** Use of this unit near fluorescent lighting may cause interference regarding use of the remote. If the unit is displaying erratic behavior move away from any fluorescent lighting, as it may be the cause.
- **CAUTION:** Danger of explosion if battery is incorrectly replaced. Replace only with same or equivalent type.
- **WARNING:** The remote control button cell battery contains mercury. Do not put in trash, instead recycle or dispose of as hazardous waste.
- **WARNING:** Lithium batteries, like all rechargeable batteries are recyclable and should be recycled or disposed of in normal household waste. Contact your local government for disposal or recycling practices in your area. They should never be incinerated since they might explode.
- Do not expose the apparatus to dripping or splashing. Do not place objects filled with liquids (e.g., vases) on top of the apparatus.
- Adapter is used as disconnect device and it should remain readily operable during intended use. In order to disconnect the apparatus from the mains completely, the adapter should be disconnected from the mains socket outlet completely.
- Battery shall not be exposed to excessive heat such as sunshine, fire or the like.
- Caution marking is located on the back of the apparatus.
- **NOTE:** Do not unplug the speaker or subwoofer cable during playing or you may need to reset the unit. If you need to unplug the speaker cable, please make sure the unit is in standby mode.

### IMPORTANT SAFETY INSTRUCTIONS

1. Read these Instructions.
2. Keep these Instructions.
3. Heed all Warnings.
4. Follow all instructions.
5. Do not use this apparatus near water.
6. Clean only with a dry cloth.
7. Do not block any ventilation openings. Install in accordance with the manufacturer's instructions.
8. Do not install near any heat sources such as radiators, heat registers, stoves, or other apparatus (including amplifiers) that produce heat.
9. Do not defeat the safety purpose of the polarized or grounding - type plug. A polarized plug has two blades with one wider than the other. A grounding type plug has two blades and a third grounding prong. The wide blade or the third prong are provided for your safety. When the provided plug does not fit into your outlet, consult an electrician for replacement of the obsolete outlet.
10. Protect the power cord from being walked on or pinched particularly at plugs, convenience receptacles, and the point where they exit from the apparatus.
11. Only use attachments/accessories specified by the manufacturer.
12. Use only with a cart, stand, tripod, bracket, or table specified by the manufacturer, or sold with the apparatus. When a cart is used, use caution when moving the cart/apparatus combination to avoid injury from tip-over.
13. Unplug this apparatus during lightning storms or when unused for long periods of time.



14. Refer all servicing to qualified service personnel. Servicing is required when the apparatus has been damaged in any way, such as power-supply cord or plug is damaged, liquid has been spilled or objects have fallen into the apparatus, the apparatus has been exposed to rain or moisture, does not operate normally, or has been dropped.
15. Power Sources - This product should be connected to a power supply only of the type described in these operating instructions, or as marked on the unit.
16. Water and Moisture - This product should be kept away from direct contact with liquids. The apparatus shall not be exposed to dripping or splashing and that no objects filled with liquids, such as vases, shall be placed on the apparatus.
17. CAUTION - Danger of explosion if battery is incorrectly replaced. Replace only with the same or equivalent type. Batteries (a battery pack or an installed battery) shall not be exposed to excessive heat such as sunshine, fire, etc.
18. Where the mains plug or an appliance coupler is used as the disconnect device, the disconnect device shall remain readily operable.
19. Do not install this equipment in a confined or "boxed-in" space such as a bookcase or similar unit, and maintain good ventilation conditions. The ventilation should not be impeded by covering the ventilation openings with items such as newspaper, tablecloths, curtains, etc.
20. This apparatus is for professional use only.
21. When moving or not using the appliance, secure the power cord (e.g., wrap it with a cable tie). Be careful not to damage the power cord. Before using it again, make sure the power cord has not been damaged. If the power cord has been damaged at all, bring the unit and cord to a qualified service technician for repair or replacement as specified by the manufacturer.
22. WARNING: Please refer to any important information (e.g., electrical, safety, etc.) printed on the exterior bottom enclosure or rear panel before installing or operating the product.

### FM RADIO OPERATION

- Step 1** Press the POWER button to turn on the unit.
- Step 2** Press the SOURCE button to set the unit to Radio mode as indicated on the LCD display.
- Step 3** Press the TUNE/SKIP buttons to adjust the radio frequency.

#### Saving Preset Stations

- Step 1** Tune the radio to the station you want to save.
- Step 2** Press the PROG/MEN button on the remote control, then press the PRESET button to select a preset number.
- Step 3** Press the PROG/MEN button again to save the current station to the selected memory slot.
- Step 4** Repeat steps 1, 2 and 3 to program additional stations.

**Note: You can program up to 20 FM presets.**

### BLUETOOTH WIRELESS

You can stream audio to this product from up to 33' away using your iPod, iPhone, iPad, Android or other Bluetooth enabled device.

- Step 1** Turn on the unit by pressing the POWER button.
- Step 2** Press the SOURCE button to set the unit to BT mode.
- Step 3** On your Bluetooth enabled device, select "BWD19AAA06" from the available list and your Bluetooth audio device will connect to the BWD19AAA06.
- Step 4** If you want to pair the BWD19AAA06 with another Bluetooth audio device, press and hold the PAIRING button to disconnect the current paired Bluetooth audio device or make sure the current device has been moved out of range.
- Step 5** During playback, press the PLAY/PAUSE button to pause playback and again to resume playback.

**Note: If the last paired bluetooth audio device is powered on and within available range with Bluetooth enabled, the device will automatically reconnect to the BWD19AAA06.**

### CD OPERATION

#### Playing a CD

If this is your first time playing a CD on this unit, remove the cardboard disc from behind the CD DOOR before attempting to play an actual CD.

- Step 1** Press the OPEN AREA to open the CD DOOR.
- Step 2** Insert a CD into the unit.
- Step 3** Press the POWER button to turn on the unit.
- Step 4** Press the SOURCE button to select CD mode, the loaded CD will begin to play automatically.
- Step 5** Press the PROG/REP button on the remote control to select the play mode as the following sequence:

Normal > Repeat 1 > Repeat all > Random > Normal

#### Programming a CD

- Step 1** Follow the steps for "Playing a CD", then press the STOP button.
- Step 2** Press the PROG/MEN button on the remote control, "PROGRAM" and "P-01" will appear on the LCD display, indicating that the unit is in program mode, and it is ready for the first track to be selected.
- Step 3** Press the TUNE/SKIP buttons to select the track as you desire.
- Step 4** Press the PROG/MEN button to select a track, "P-01" will change to "P-02".
- Step 5** Repeat steps 3 and 4 until the desired CD tracks are programmed.
- Step 6** Press the PLAY/PAUSE button to begin playback of the programmed tracks.
- Step 7** If you want to review the programmed tracks, press the PROG/MEN button repeatedly in stop mode.

### USB DEVICE CHARGING

Your unit includes a USB charging port (DC 5V, 1A) for charging most devices, including iPhone, iPod, Android devices and other compatible USB devices.

## AUX INPUT OPERATION

- Step 1** Connect an audio device such as smartphones, tablets or MP3 player to the Line-In jack using a Line-In cable (not included).
- Step 2** Press the SOURCE button to set the unit to AUX mode as indicated on the LCD display.
- Step 3** The audio device will play through the speakers.

## DIMMER ADJUSTMENT

You can adjust the brightness of the LCD display from high, mid and low, by pressing the DIMMER button to cycle through the presets. The default setting is high. The unit will remember the last brightness setting when powered on and return to it the next time the unit is powered on.

## AMBIENT LIGHTING EFFECTS

You can adjust the multi-color lighting effect of the speakers and subwoofer by pressing the LIGHT button to cycle through the presets. The default mode is off. The unit will remember the last multi-color lighting effect setting when powered off and return to it the next time the unit is powered on.

## SPECIFICATIONS

### GENERAL

AC Input	120V/60Hz
Power Source (Remote Control)	DC 3V, CR2025, Lithium Battery
Speaker (Tweeter)	6ohm x 2
Speaker (Full Range)	6ohm x 2
Output Power (reference)	50W+ 50W (per channel at 3 ohm, 1kHz)
Dimensions (Main Unit)	6.7in x 8.4in x 10.6in (17cm x 21.3cm x 27 cm)
Dimensions (Speaker)	8.7in x 7.7in x 10.6in (22cm x19.5cm x27cm) x2

### RADIO SECTION

Frequency Range	FM: 87.5 - 108MHz
-----------------	-------------------

### BLUETOOTH SECTION

Bluetooth specification	v2.1+EDR
Supported Protocol	A2DPV1.2
Range	33 feet (10m) line of sight

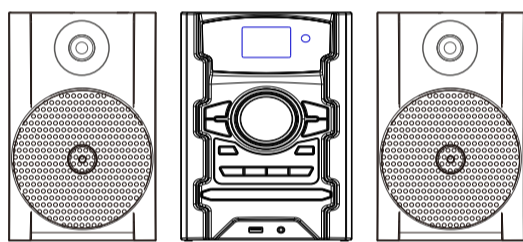
Specifications are subject to change and improvement without notice.  
Actual product may vary from the images found in this document.

- STANDBY**- Turn unit on/off.
- PLAY/PAUSE (CD mode)** - Press to play or pause a loaded CD.
- PAIRING (BT mode)** - Press to disconnect the current Bluetooth audio device.
- SOURCE** - Press to switch between CD, Tuner, AUX-In and Bluetooth modes.
- TUNE/SKIP (Radio mode)** - Press to tune to desired radio frequency.
- TUNE/SKIP (CD mode)** - Press to select tracks. Press and hold to fast search.
- Press the / (PROG/MEN) button until the hour digits blink.
- SLEEP** - Press to set sleep timer.
- TIMER** button on the remote control until the display blinks.
- STOP (CD mode)** - Press to stop playback.
- EQ** - Press to switch between Classic, Rock, Jazz or Pop equalizer settings.
- DIMMER** - Press to switch the light brightness between high, mid and low.
- PRESET+/- (CD mode)** - Press to select saved programmed tracks.
- PRESET+/- (Radio mode)** - Press to select from preset radio stations.
- VOLUME** - Press to increase or decrease the volume level.
- MEN.UP** button to select a preset number.
- MUTE** - Press to silence volume.

1. Warning: Changes or modifications to this unit not expressly approved by the party responsible for compliance could void the user's authority to operate the equipment.
2. NOTE: This equipment has been tested and found to comply with the limits for a Class B digital device, pursuant to Part 15 of the FCC Rules. These limits are designed to provide reasonable protection against harmful interference in a residential installation. This equipment generates, uses and can radiate radio frequency energy and, if not installed and used in accordance with the instructions, may cause harmful interference to radio communications.

However, there is no guarantee that interference will not occur in a particular installation. If this equipment does cause harmful interference to radio or television reception, which can be determined by turning the equipment off and on, the user is encouraged to try to correct the interference by one or more of the following measures:

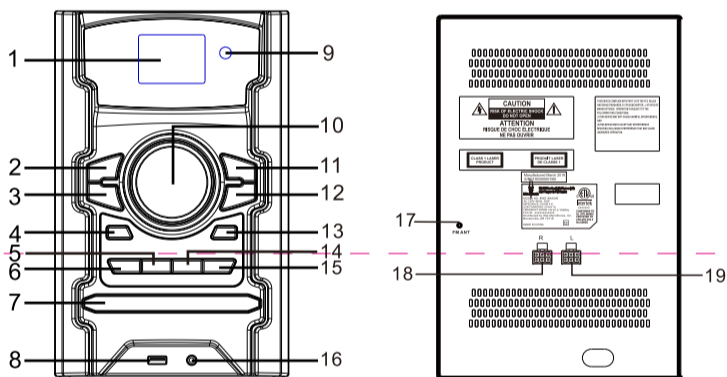
- Reorient or relocate the receiving antenna.
- Increase the separation between the equipment and receiver.
- Connect the equipment into an outlet on a circuit different from that to which the receiver is connected.
- Consult the dealer or an experienced radio/TV technician for help.



LEFT SPEAKER

MAIN UNIT

RIGHT SPEAKER



- |                            |                     |
|----------------------------|---------------------|
| 1. LED Display             | 13. SOURCE Button   |
| 2. PLAY/PAUSE Button       | 14. PRESET Button   |
| 3. TUNE - / SKIP - Button  | 15. OPEN AREA       |
| 4. POWER Button            | 16. LINE-IN Jack    |
| 5. EQ Button               | 17. FM Antenna      |
| 6. PAIR/CLOCK Button       | 18. SPEAKER OUT (R) |
| 7. CD Door                 | 19. SPEAKER OUT (L) |
| 8. USB CHARGING Port       |                     |
| 9. IR Sensor               |                     |
| 10. VOLUME + / -           |                     |
| 11. STOP Button            |                     |
| 12. TUNE + / SKIP + Button |                     |

### IMPORTANT

Do not plug the speaker cables into the subwoofer output jack. Do not plug the subwoofer cable into either of the speaker output jacks as this will produce poor sound quality and distortion during playback.

## FUNCTIONS OF REMOTE CONTROL



REMOTE CONTROL