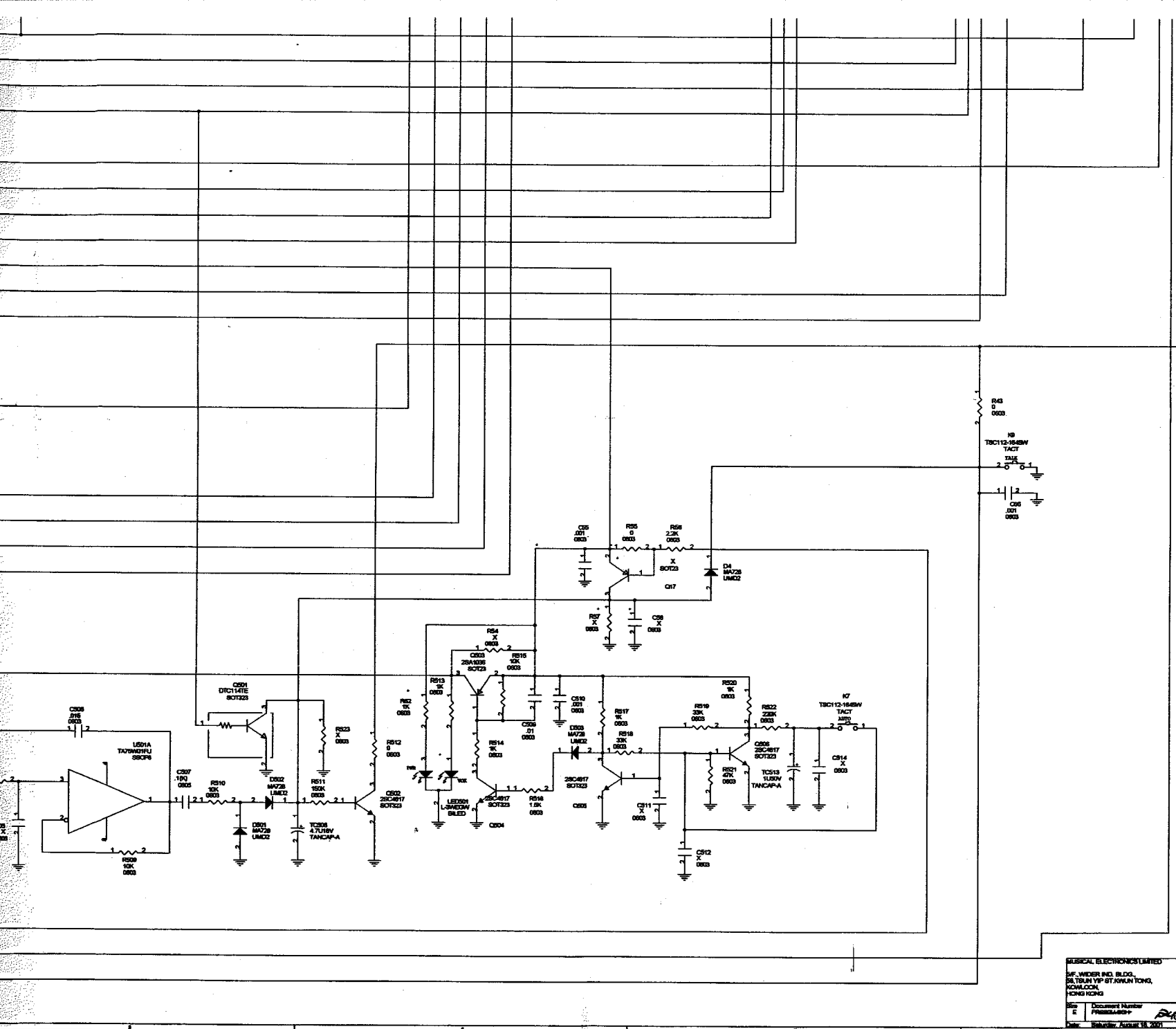


3

1

2

ⓔ

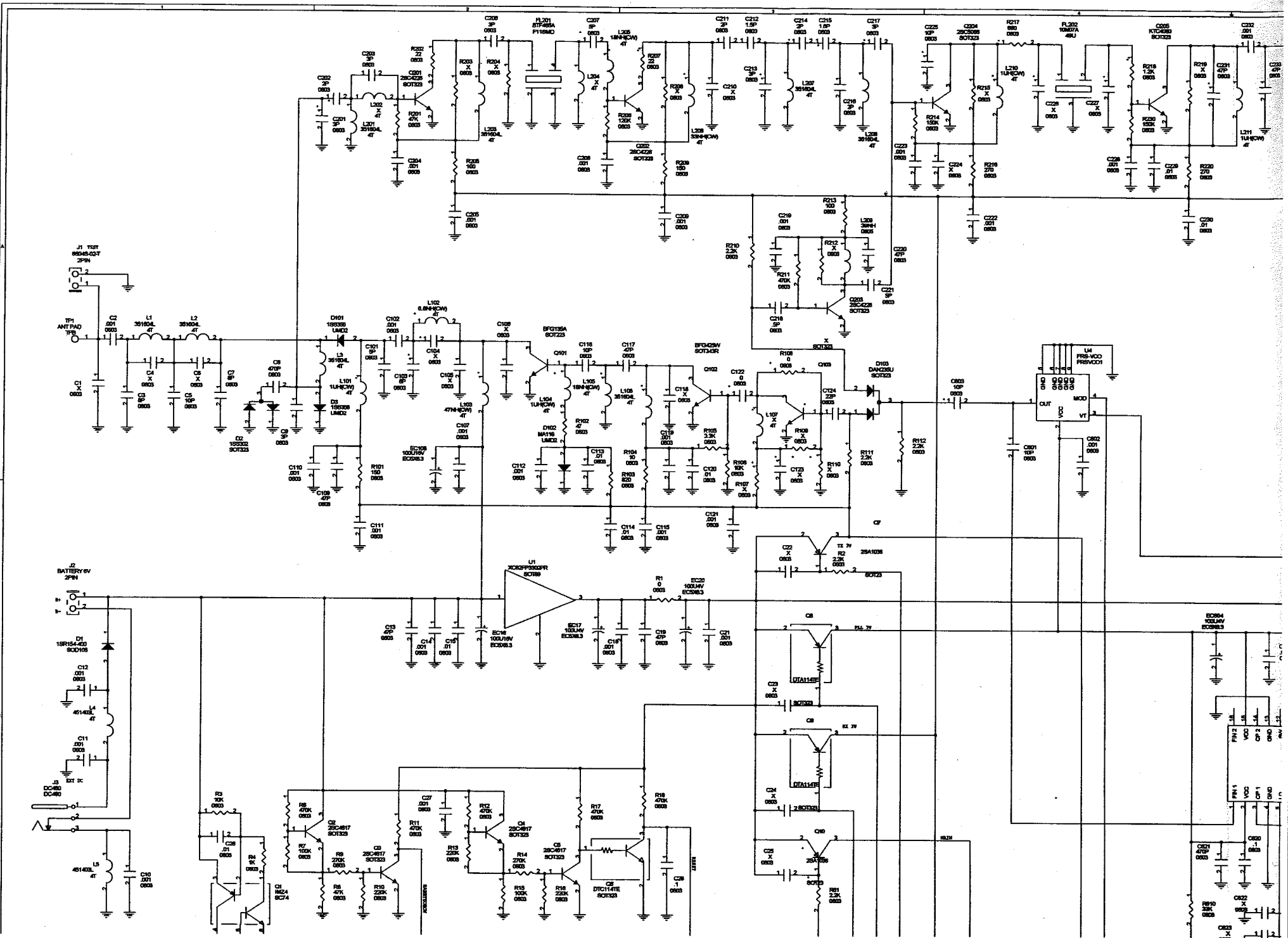


- C247
- R238
- W2261
- Q241
- Q244
- L211
- F2282
- S241

- C318
- R321
- W3381
- Q387

- C514
- S523
- Q541
- Q546
- S543

- C423
- R414
- W441
- Q491
- S491



4

