
Multi*Connect*[™]

Serial-to-Bluetooth Adapter

MTS2BTA

MTS2BTA-R

User Guide



User Guide
MTS2BTA and MTS2BTA-R
MultiConnect Serial-to-Bluetooth Adapter
S000370A Rev. A

Copyright

This publication may not be reproduced, in whole or in part, without prior expressed written permission from Multi-Tech Systems, Inc. All rights reserved.

Copyright © 2005 Multi-Tech Systems, Inc.

Multi-Tech Systems, Inc. makes no representations or warranty with respect to the contents hereof and specifically disclaims any implied warranty of merchantability or fitness for any particular purpose. Furthermore, Multi-Tech Systems, Inc. reserves the right to revise this publication and to make changes from time to time in the content hereof without obligation of Multi-Tech Systems, Inc. to notify any person or organization of such revisions or changes.

Revision	Date	Description
A	02/22/05	Initial release.

Patents

This device is covered by one or more of the following patents: 6,031,867; 6,012,113; 6,009,082; 5,905,794; 5,864,560; 5,815,567; 5,815,503; 5,812,534; 5,809,068; 5,790,532; 5,764,628; 5,764,627; 5,754,589; 5,724,356; 5,673,268; 5,673,257; 5,644,594; 5,628,030; 5,619,508; 5,617,423; 5,600,649; 5,592,586; 5,577,041; 5,574,725; 5,559,793; 5,546,448; 5,546,395; 5,535,204; 5,500,859; 5,471,470; 5,463,616; 5,453,986; 5,452,289; 5,450,425; D353,598; 5,355,365; 5,309,562; 5,301,274. Other patents pending.

Trademarks

Multi-Tech, the Multi-Tech logo, and MultiConnect are registered trademarks of Multi-Tech Systems, Inc. All other brand and product names mentioned in this publication are trademarks or registered trademarks of their respective companies.

Technical Support

Country	By Email	By Phone
France:	support@multitech.fr	(33) 1-64 61 09 81
India:	support@multitechindia.com	91 (124) 6340778
U.K.:	support@multitech.co.uk	(44) 118 959 7774
U.S. and Canada:	support@multitech.com	(800) 972-2439
Rest of the World:	support@multitech.com	(763) 717-5863

Internet Address: <http://www.multitech.com>

World Headquarters

Multi-Tech Systems, Inc.
 2205 Woodale Drive
 Mounds View, Minnesota 55112 U.S.A.
 (763) 785-3500 or (800) 328-9717
 Fax (763) 785-9874
<http://www.multitech.com>

Contents

Chapter 1 – Description and Specifications	4
Product Description	4
Applications	4
Features	4
Product Build Options	5
MultiConnect Package Contents	5
AT Commands	5
Handling Precautions	5
General Safety	6
<i>Installation Instructions for Hazardous Locations</i>	Error! Bookmark not defined.
<i>Vehicle Safety</i>	6
<i>Maintenance of the Serial-to-Bluetooth Adapter</i>	6
Technical Specifications	7
LED Indicators	8
Chapter 2 – Installation and Cabling	9
Step 1 – Attaching the Adapter to a Fixed Location	9
Step 2 – Connect the Adapter to Your System	10
<i>Setup Example</i>	10
<i>Connections for MultiModem Using AC Power</i>	10
<i>Connections for MultiModem Using DC Power</i>	10
Chapter 3 – AT Commands, S-Registers and Result Codes	11
Chapter 4 – Peripheral Devices	12
Antenna Requirements	12
Pin Assignments for the Serial Port	12
Appendix A – Regulatory Compliance	13
Regulatory Compliance Statements	13
<i>EMC, Safety, and R&TTE Directive Compliance</i>	13
<i>International Adapter Restrictions</i>	13
<i>Telecom Requirements for the United States</i>	13
<i>Industry Canada</i>	13
<i>New Zealand Telecom Warning Notice</i>	14
<i>South African Statement</i>	14
<i>Other</i>	14
Appendix B – Multi-Tech Warranty Statement and Product Repair	15
Warranty	15
Product Repair	15
<i>Repair Procedures for U.S. and Canadian Customers</i>	15
<i>Repair Procedures for International Customers (Outside U.S.A. and Canada)</i>	16
<i>Repair Procedures for International Distributors</i>	16
<i>Replacement Parts</i>	16
Index	17

Chapter 1 – Description and Specifications

Product Description

The MultiConnect Serial-to-Bluetooth adapter enables communication between an installed host serial device and a peripheral wireless device. The serial side of the MultiConnect provides transparent serial data-to-Internet protocol conversion, eliminating the need for any hardware modifications. The embedded Bluetooth wireless technology of the MultiConnect provides a secure, standards-based wireless connection between the host and the peripheral device. Bluetooth provides wireless data transfer up to 100 meters, completely eliminating the need for a serial cable connection.

Applications

The MultiConnect adapters will IP-enable any device to provide remote monitoring, control and configuration of any system. The solution is ideal for the following applications:

- Retail Environment
 - * POS (Point of Sale) Devices
 - * Bar Code Scanners
 - * Credit Card Reader
- Restaurant Environment
 - * Order Printer
 - * Receipt Printer
 - * Credit Card Reader
- Outdoor Signs
- Gas pumps
- Security Systems / Surveillance Cameras
- Emergency Vehicles
- Delivery Trucks
- Home Health Care
- Connecting to Other Bluetooth-enabled Devices
 - * Modem
 - * Mobile Phone
 - * Headset
 - * Computer
 - * PDA

Features

Instant Serial Cable Replacement

Running serial cabling can be expensive and sometimes problematic especially if it is in an outdoor environment. With the SocketWireless, you can eliminate the cable and connect your peripheral devices effortlessly with a Bluetooth wireless network. In a point-to-point connection, one SocketWireless is embedded in a host device, such as a PC; the other is attached to a serial peripheral device such as a bar-code scanner, receipt printer or scale. Now you can use the wireless network to transfer information between the host and the device for up to 100 meters.

Wireless Host Connection

SocketWireless Bluetooth can also connect to any other Bluetooth-enabled device, such as a PDA or WAN radio increasing user mobility in mission-critical applications such as emergency vehicles, delivery trucks, medical monitoring, and point-of-sale environments. SocketWireless Bluetooth is operating system independent and can be seamlessly embedded in any peripheral device. No application software is needed.

Secure, Robust Communication

SocketWireless Bluetooth complies with the Bluetooth specifications for security which includes 128-bit encryption and 10 alphanumeric Personal Identification Number (PIN) authentication. It utilizes FHSS (Frequency Hopping Spread Spectrum) technology. In addition, SocketWireless Bluetooth uses error correction schemes for guaranteed packet delivery.

Product Build Options

Product	Description	Region
MTS2BTA	Serial-to-Bluetooth Adapter AC-Powered	North America and Europe
MTS2BTA-R	Serial-to-Bluetooth Adapter DC-Powered	North America and Europe

MultiConnect Package Contents

AC-Powered Version

- One Serial-to-Bluetooth Adapter
- One antenna
- One mounting bracket
- RS-232 serial cable
- One universal power supply with power cord
- A set of four self-adhesive plastic feet
- One printed Quick Start Guide
- One Serial-to-Bluetooth Adapter product CD containing the adapter drivers, User Guide, Quick Start Guide, AT Commands Reference Guide, Global Wizard software, PhoneTools (a data communications program), and Acrobat Reader

DC-Powered Version

- One Serial-to-Bluetooth Adapter
- One antenna
- One mounting bracket
- RS-232 serial cable
- One fused power cable
- A set of four self-adhesive plastic feet
- One printed Quick Start Guide
- One Serial-to-Bluetooth Adapter product CD containing the adapter drivers, User Guide, Quick Start Guide, AT Commands Reference Guide, Global Wizard software, PhoneTools (a data communications program), and Acrobat Reader

Note: Part Supplied by User

Mounting screws (screw shaft diameter = .17" maximum)

AT Commands

AT commands for the Serial-to-Bluetooth Adapter are published in a separate Reference Guide included on the product CD and posted on the Multi-Tech Web site.

Handling Precautions

All devices must be handled with certain precautions to avoid damage due to the accumulation of static charge. Although input protection circuitry has been incorporated into the devices to minimize the effect of this static buildup, proper precautions should be taken to avoid exposure to electrostatic discharge during handling and operation.

General Safety

The adapter is designed and intended to be used in either fixed or mobile applications. In the “Fixed” application, the device is physically secured at one location and not easily moved to another location. In the “Mobile” application, the device may be regularly moved to different locations.

Caution! Maintain a separation distance of at least 20 cm (8 inches) between the transmitter’s antenna and the body of the user or nearby persons. The adapter is not designed for, nor intended to be, used in applications within 20 cm (8 inches) of the body of the user. Such uses are strictly prohibited.

Avoid possible radio frequency (RF) interference by carefully following the safety guidelines below.

- Switch OFF the Adapter when in an aircraft. The use of cellular telephones in aircraft is illegal. It may endanger the operation of the aircraft and/or disrupt the cellular network. Failure to observe this instruction may lead to suspension or denial of cellular telephone services to the offender, legal action, or both.
- Switch OFF the Adapter in the vicinity of gasoline or diesel-fuel pumps or before filling a vehicle with fuel.
- Switch OFF the Adapter in hospitals and any other place where medical equipment may be in use.
- Respect restrictions on the use of radio equipment in fuel depots, chemical plants, or where blasting operations are in progress.
- There may be a hazard associated with the operation of your Adapter in the vicinity of inadequately protected personal medical devices such as hearing aids and pacemakers. Consult the manufacturers of the medical device to determine if it is adequately protected.
- Operation of the Adapter in the vicinity of other electronic equipment may cause interference if the equipment is inadequately protected. Observe any warning signs and manufacturers’ recommendations.

Vehicle Safety

- Do not use your Adapter while driving.
- Respect national regulations on the use of cellular telephones in vehicles. Road safety always comes first.
- If incorrectly installed in a vehicle, the operation of adapter could interfere with the correct functioning of vehicle electronics. To avoid such problems, be sure that the installation has been performed by qualified personnel. Verification of the protection of vehicle electronics should be part of the installation.
- The use of an alert device to operate a vehicle’s lights or horn on public roads is not permitted.

Maintenance of the Serial-to-Bluetooth Adapter

Your adapter is the product of advanced engineering, design and craftsmanship and should be treated with care. The suggestions below will help you to enjoy this product for many years.

- Do not expose the adapter to any extreme environment where the temperature or humidity is high.
- Do not attempt to disassemble the adapter. There are no user serviceable parts inside.
- Do not expose the adapter to water, rain or spilled beverages. It is not waterproof.
- Do not abuse your adapter by dropping, knocking, or violently shaking it. Rough handling can damage it.
- Do not place the adapter alongside computer discs, credit or travel cards, or other magnetic media. The information contained on discs or cards may be affected by the phone.
- The use of accessories not authorized by Multi-Tech or not compliant with Multi-Tech’s accessory specifications may invalidate the warranty of the MultiConnect Adapter.
- In the unlikely event of a fault in the adapter, contact Multi-Tech Technical Support.

Technical Specifications

Category	Description
Serial Interface	Supports speeds from 1200bps to 230Kbps
RF Interface	Frequency2402 – 2480MHz ModulationFHSS/GFSK Channel Intervals1MHz Number of Channels79CH Transmission Rate721Kbps
Data Format	For Serial Interface - Asynchronous, 8-N-1, Default is 9600bps
Flow Control	Hardware
RF Receive Sensitivity	-80dBm typical
Output Level (Class 1)	20dBm maximum
RF Range	Class 1 - 100 meters (330 feet)
Modes of Operation	Inquiry, Idle, Data, Fast Data, Park, Sniff, Command, Master, Slave
Device Profiles	Serial Port (SPP), Dial-up Network (DUN)
Buffer	Serial 50 bytes RF 50-byte RX buffer
Weight	0.6 oz. (0.017 Kg.)
Dimensions	1.045" x 2.541" x 0.680" (2.65cm x 6.45cm x 1.7cm)
Power	Idle: 2mA (0.0066W @ 3.3Vdc) (0.01W @ 5Vdc) Connected: 7mA (0.0231W @ 3.3Vdc) (0.035W @ 5Vdc) Fast Data: 45mA (0.1485W @ 3.3Vdc) (0.225W @ 5Vdc) Inquiry: 70mA (0.231W @ 3.3Vdc) (0.35W @ 5Vdc) Notes: These power measurements were taken with no LEDs connected. Driving an LED through 330 ohm resistor to GND draws an additional 4mA on 5V for each LED.
Operational Temperature	-40 to +70° C
Storage Temperature	-40 to +85° C
Voltage	9Vdc to 25Vdc
Default Power Up Settings	AT Command Response Form = Long Form Bluetooth Service Profile = Serial Port Profile {SPP} Device Role = Slave Baud Rate = 9600bps Data Bits = 8 bits Parity = None Stop bits = 1 bit Hardware Flow Control RTS/CTS = Enabled Power Mode = Never go into deep sleep mode Country Code = North America and Europe Name of Device (local name) = Serial-to-Bluetooth Adapter My Radio Status = 1,0 {slave, disconnected} Service Name = COM0 Power up default ATSW24 settings = 0,0,0,0 {long response, no authentication, no auto SCO connect, no minor} Power up default ATSW25 settings = 0,1,0,0 {slave, data, allow data to pass, SPP} Major & Minor Class Of Device (COD) = 00000000 {undefined} Security PIN and Encryption Disabled Default PIN = "default" caps sensitive Page Scan Interval = 0x400 {2560msec.} Page Scan Window = 0x200 {11msec.} Inquiry Scan Interval = 0x400 {2560msec.} Inquiry Scan Window = 0x200 {11msec.} Timeout Connection Parameters Inquiry = 60 seconds Slave Connect = 60 seconds Master Connect = 60 seconds ATDM idle mode = 60 seconds ATDM Master Mode = indefinitely (need to perform ATUCL to cancel last command) Timeout for loss of Bluetooth connection = 4 seconds

Category	Description
Intelligent Features	<p>Can be configured, commanded, and controlled through simple ASCII strings over the Bluetooth RF link or directly through the hardware serial UART.</p> <p>Low power consumption.</p> <p>Secure and robust communication link.</p> <ul style="list-style-type: none"> • FHSS (Frequent Hopping Spread Spectrum) • 56-bit encryption, and 10 alphanumeric Personal Identification Number (PIN) • Error correction schemes for guaranteed packet delivery
Manufacturing Information	<p>Trade Name: MultiConnect</p> <p>Model Number: MTS2BTA, MTS2BTA-R</p> <p>FCC Registration: AU792U05A28780</p> <p>Industry Canada: 125A-0016</p>
Certifications	<p>EMC Approvals:</p> <p>FCC Part 15 Class B</p> <p>Canada (Class B)</p> <p>FCC Part 15, Subpart C</p> <p>EN 300 328</p> <p>EN 301 489-17</p> <p>EN55022</p> <p>EN55024</p> <p>EN 301 489-1</p> <p>Safety:</p> <p>UL60950</p> <p>cUL60950</p> <p>EN60950</p>
Warranty	Two Years

LED Indicators

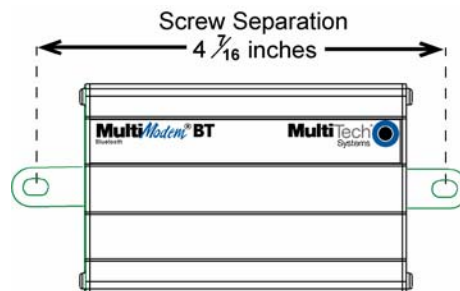
LED	Description
TD	Transmit Data. This LED is lit when adapter is transmitting data to another adapter.
RD	Receive Data. This LED is lit when the adapter is receiving data from another adapter.
CD	Carrier Detect. This LED is lit when the adapter detects a valid carrier signal from another adapter. It is on when the adapter is communicating with the other adapter and off when the link is broken.
TR	Terminal Ready. (Also called Data Terminal Ready.) This LED indicates the PC is turned on and ready to communicate. This LED is lit when a data communications program initializes the adapter. It goes off when the communications program disconnects the COM port. When it goes off, a connected adapter will disconnect.
PWR	Power. This LED Indicates the presence of DC power when lit.

Chapter 2 – Installation and Cabling

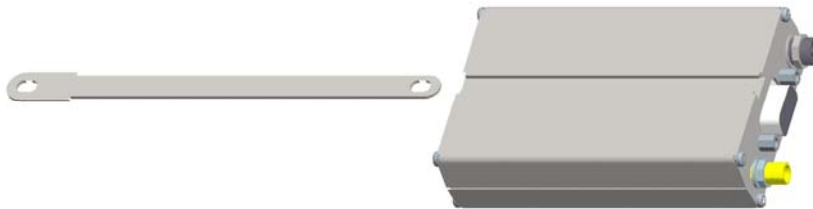
Step 1 – Attaching the Adapter to a Fixed Location

The Serial-to-Bluetooth Adapter is design to be used on the desktop or to be panel-mounted. To attach the bracket for panel-mounting, following these steps:

1. Typically, the adapter is mounted against a flat surface with two mounting screws. Drill the mounting holes at the desired location. The mounting holes must be separated by $4 \frac{7}{16}$ inches center-to-center.



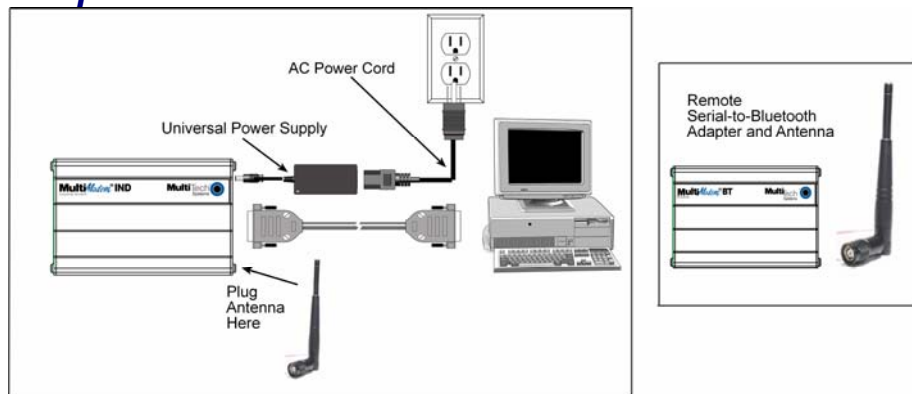
2. Slide the mounting bracket into the slot on the back of the chassis.



3. Attach the adapter to the surface with two screws.

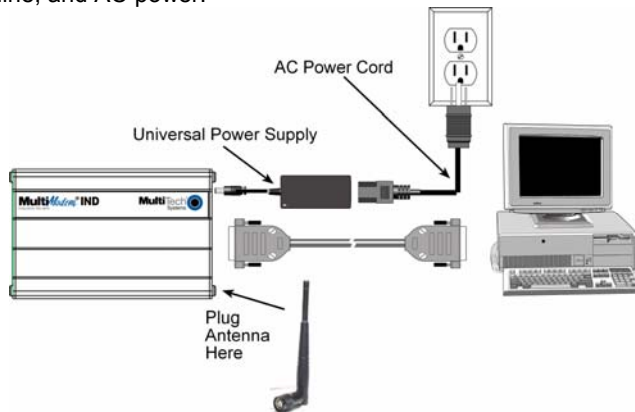
Step 2 – Connect the Adapter to Your System

Setup Example



Connections for the MultiModem Using AC Power

Turn off your computer. Place the adapter in a convenient location, and then connect it to your computer's serial port, the phone line, and AC power.



Connections for the MultiModem Using DC Power

For DC power, use the fused cable in place of the Universal Power Supply and the AC Power Cord.



Installation Steps

RS-232 Connection

Plug one end of the serial cable into the RS-232 connector on the adapter and plug the other end into a serial port connector on your computer.

Power Connection

For AC – Plug the power supply cable with attached transformer block into the power connector on the MultiConnect. Then plug the AC cord receptacle into the transformer block, and plug the other end of the AC cord into a power outlet or power strip.

Note: Use only the power supply supplied with the Adapter. Use of any other power supply will void the warranty and could damage the adapter.

For DC – Plug the fused cable into the power connector on the MultiConnect. Then attach the two wires at the other end of the fused cable to a DC power source.

Chapter 3 – AT Commands, S-Registers and Result Codes

AT commands for the Serial-to-Bluetooth Adapter are published in a separate Reference Guide included on the product CD and posted on the Multi-Tech Web site.

Chapter 4 – Peripheral Devices

Antenna Requirements

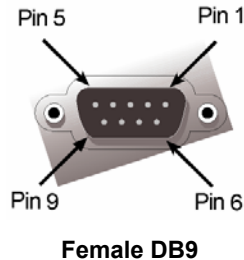
Frequency Range	2.4-2.5 Ghz
Impedance	50 ohm nominal
VSWR	<2.0:1
Gain	2 dBi
Radiation	Omni
Polarization	Vertical
Wave	Half Wave Dipole
Connector	Reverse Polarity SMA Plug

An antenna that meets the requirements for use with the SocketWireless product can be ordered, for example, from Nearson.

www.nearson.com

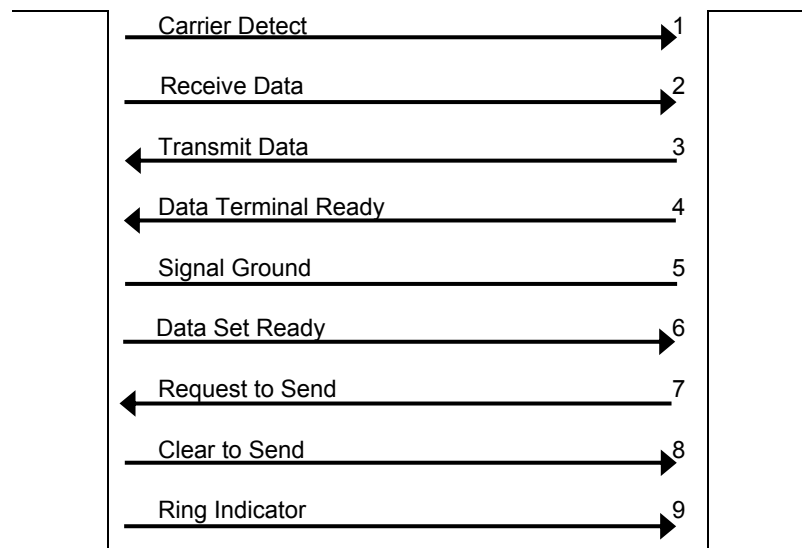
Part number: S131AH – 2450S

Pin Assignments for the Serial Port



MultiConnect Adapter Side

PC Side



Appendix A – Regulatory Compliance

Regulatory Compliance Statements



EMC, Safety, and R&TTE Directive Compliance

The CE mark is affixed to this product to confirm compliance with the following European Community Directives:

- Council Directive 89/336/EEC of 3 May 1989 on the approximation of the laws of Member States relating to electromagnetic compatibility;
- and
- Council Directive 73/23/EEC of 19 February 1973 on the harmonization of the laws of Member States relating to electrical equipment designed for use within certain voltage limits;
- and
- Council Directive 1999/5/EC of 9 March on radio equipment and telecommunications terminal equipment and the mutual recognition of their conformity.

International Adapter Restrictions

Some dialing and answering defaults and restrictions may vary for international adapters. Changing settings may cause a adapter to become non-compliant with national telecom requirements in specific countries. Also note that some software packages may have features or lack restrictions that may cause the adapter to become non-compliant.

Telecom Requirements for the United States

FCC Part 15 Regulation

This equipment has been tested and found to comply with the limits for a **Class B** digital device, pursuant to Part 15 of the FCC rules. These limits are designed to provide reasonable protection against harmful interference in a residential installation. This equipment generates, uses, and can radiate radio frequency energy, and if not installed and used in accordance with the instructions, may cause harmful interference to radio communications. However, there is no guarantee that interference will not occur in a particular installation. If this equipment does cause harmful interference to radio or television reception, which can be determined by turning the equipment off and on, the user is encouraged to try to correct the interference by one or more of the following measures:

- Reorient or relocate the receiving antenna.
- Increase the separation between the equipment and receiver.
- Plug the equipment into an outlet on a circuit that is different from the one used by the receiver.
- Consult the dealer or an experienced radio/TV technician for help.

This device complies with Part 15 of the FCC rules. Operation of this device is subject to the following conditions: (1) This device may not cause harmful interference, and (2) this device must accept any interference that may cause undesired operation.

WARNING – Changes or modifications to this unit not expressly approved by the party responsible for compliance could void the user's authority to operate the equipment.

Industry Canada

This Class B digital apparatus meets all requirements of the Canadian Interference-Causing Equipment Regulations.

Cet appareil numérique de la classe B respecte toutes les exigences du Règlement Canadien sur le matériel brouilleur.

New Zealand Telecom Warning Notice

1. The grant of a Telepermit for any item of terminal equipment indicates only that Telecom has accepted that the item complies with minimum conditions for connection to its network. It indicates no endorsement of the product by Telecom, nor does it provide any sort of warranty. Above all, it provides no assurance that any item will work correctly in all respects with another item of Telepermitted equipment of a different make or model, nor does it imply that any product is compatible with all of Telecom's network services.
This equipment is not capable under all operating conditions of correct operating conditions of correct operation at the higher speed which it is designated. 33.6 kbps and 56 kbps connections are likely to be restricted to lower bit rates when connected to some PSTN implementations. Telecom will accept no responsibility should difficulties arise in such circumstances.
2. Immediately disconnect this equipment should it become physically damaged, and arrange for its disposal or repair.
3. This adapter shall not be used in any manner which could constitute a nuisance to other Telecom customers.
4. This device is equipped with pulse dialing, while the Telecom standard is DTMF tone dialing. There is no guarantee that Telecom lines will always continue to support pulse dialing. Use of pulse dialing, when this equipment is connected to the same line as other equipment, may give rise to 'bell tinkle' or noise and may also cause a false answer condition. Should such problems occur, the user should NOT contact the Telecom Faults Service. The preferred method of dialing is to use DTMF tones, as this is faster than pulse (decadic) dialing and is readily available on almost all New Zealand telephone exchanges.
5. Warning Notice: No '111' or other calls can be made from this device during a mains power failure.
6. This equipment may not provide for the effective hand-over of a call to another device connected to the same line.
7. Some parameters required for compliance with Telecom's Telepermit requirements are dependent on the equipment (PC) associated with this device. The associated equipment shall be set to operate within the following limits for compliance with Telecom's Specifications:
For repeat calls to the same number:
 - There shall be no more than 10 call attempts to the same number within any 30 minute period for any single manual call initiation, and
 - The equipment shall go on-hook for a period of not less than 30 seconds between the end of one attempt and the beginning of the next attempt.
 For automatic calls to different numbers:
 - The equipment shall be set to ensure that automatic calls to different numbers are spaced such that there is no less than 5 seconds between the end of one call attempt and the beginning of another.
8. For correct operation, total of the RN's of all devices connected to a single line at any time should not exceed 5.

South African Statement

This adapter must be used in conjunction with an approved surge protection device.

Other

The above country-specific examples do not cover all countries with specific regulations; they are included to show you how each country may differ. If you have trouble determining your own country's requirements, check with Multi-Tech's Technical Support for assistance.

Appendix B – Multi-Tech Warranty Statement and Product Repair

Warranty

Multi-Tech Systems, Inc., (hereafter “MTS”) warrants that its products will be free from defects in material or workmanship for a period of two, five, or ten years (depending on model) from date of purchase, or if proof of purchase is not provided, two, five, or ten years (depending on model) from date of shipment.

MTS MAKES NO OTHER WARRANTY, EXPRESS OR IMPLIED, AND ALL IMPLIED WARRANTIES OF MERCHANTABILITY AND FITNESS FOR A PARTICULAR PURPOSE ARE HEREBY DISCLAIMED.

This warranty does not apply to any products which have been damaged by lightning storms, water, or power surges or which have been neglected, altered, abused, used for a purpose other than the one for which they were manufactured, repaired by Customer or any party without MTS’s written authorization, or used in any manner inconsistent with MTS’s instructions.

MTS’s entire obligation under this warranty shall be limited (at MTS’s option) to repair or replacement of any products which prove to be defective within the warranty period or, at MTS’s option, issuance of a refund of the purchase price. Defective products must be returned by Customer to MTS’s factory — transportation prepaid.

MTS WILL NOT BE LIABLE FOR CONSEQUENTIAL DAMAGES, AND UNDER NO CIRCUMSTANCES WILL ITS LIABILITY EXCEED THE PRICE FOR DEFECTIVE PRODUCTS.

Online Warranty Registration

If you have access to the World Wide Web, you can register your Multi- Tech product online at the following URL:
<http://www.multitech.com/register/>

Product Repair

Repair Procedures for U.S. and Canadian Customers

In the event that service is required, products may be shipped, freight prepaid, to our Mounds View, Minnesota factory:

Multi-Tech Systems, Inc.
2205 Woodale Drive
Mounds View, MN 55112
Attn: Repairs, Serial # _____

A Returned Materials Authorization (RMA) is not required. Return shipping charges (surface) will be paid by MTS to destinations in U.S. and Canada.

Please include, inside the shipping box, a description of the problem, a return shipping address (must have street address, not P.O. Box), your telephone number, and if the product is out of warranty, a check or purchase order for repair charges.

For out of warranty repair charges, go to www.multitech.com/DOCUMENTS/Company/warranty/

Extended two-year overnight replacement service agreements are available for selected products. Please call MTS customer service at (888) 288-5470 or visit our web site at www.multitech.com/PARTNERS/Programs/orc/ for details on rates and coverage’s.

Please direct your questions regarding technical matters, product configuration, verification that the product is defective, etc., to our Technical Support department at (800) 972-2439 or email support@multitech.com. Please direct your questions regarding repair expediting, receiving, shipping, billing, etc., to our Repair Accounting department at (800) 328-9717 or (763) 717-5631, or email mtsrepair@multitech.com.

Repairs for damages caused by lightning storms, water, power surges, incorrect installation, physical abuse, or user-caused damages are billed on a time-plus-materials basis.

Repair Procedures for International Customers (Outside U.S.A. and Canada)

Your original point of purchase Reseller may offer the quickest and most economical repair option for your Multi-Tech product. You may also contact any Multi-Tech sales office for information about the nearest distributor or other repair service for your Multi-Tech product. The Multi-Tech sales office directory is available at www.multitech.com/PARTNERS/Channels/offices/

In the event that factory service is required, products may be shipped, freight prepaid to our Mounds View, Minnesota factory. Recommended international shipment methods are via Federal Express, UPS or DHL courier services, or by airmail parcel post; shipments made by any other method will be refused. A Returned Materials Authorization (RMA) is required for products shipped from outside the U.S.A. and Canada. Please contact us for return authorization and shipping instructions on any International shipments to the U.S.A. Please include, inside the shipping box, a description of the problem, a return shipping address (must have street address, not P.O. Box), your telephone number, and if the product is out of warranty, a check drawn on a U.S. bank or your company's purchase order for repair charges. Repaired units shall be shipped freight collect, unless other arrangements are made in advance.

Please direct your questions regarding technical matters, product configuration, verification that the product is defective, etc., to our Technical Support department nearest you or email support@multitech.com. When calling the U.S., please direct your questions regarding repair expediting, receiving, shipping, billing, etc., to our Repair Accounting department at +(763) 717-5631 in the U.S.A., or email mtsrepair@multitech.com.

Repairs for damages caused by lightning storms, water, power surges, incorrect installation, physical abuse, or user-caused damages are billed on a time-plus-materials basis.

Repair Procedures for International Distributors

International distributors should contact their MTS International sales representative for information about the repairs for their Multi-Tech product.

Please direct your questions regarding technical matters, product configuration, verification that the product is defective, etc., to our International Technical Support department at +(763)717-5863. When calling the U.S., please direct your questions regarding repair expediting, receiving, shipping, billing, etc., to our Repair Accounting department at +(763) 717-5631 in the U.S.A. or email mtsrepair@multitech.com.

Repairs for damages caused by lightning storms, water, power surges, incorrect installation, physical abuse, or user-caused damages are billed on a time-plus-materials basis.

Replacement Parts

SupplyNet, Inc. can supply you with replacement power supplies, cables, and connectors for selected Multi-Tech products. You can place an order with SupplyNet via mail, phone, fax, or the Internet at the following addresses:

Mail: SupplyNet, Inc.
614 Corporate Way
Valley Cottage, NY 10989
Phone: 800 826-0279
Fax: 914 267-2420
Email: info@thesupplynet.com
Internet: <http://www.thesupplynet.com>

Index

A		N	
AC power connections	10	New Zealand Telecom Warning Notice	14
Antenna Requirements	12	O	
Applications	4	Ordering Replacement Parts	16
AT commands	11	P	
B		Package Contents	5
Build Options	5	Parts Supplied by User	5
C		Pin Assignments	12
Canadian Regulations	13	Power Connection	10
Carrier Detect	8	Power LED	8
Connecting the AC Power	10	Product Description	4
D		R	
DC power connections	10	Receive Data	8
E		Register your adapter	15
EMC Approvals	8	Repair	15
EMC, Safety, and R&TTE Directive Compliance	13	Replacement Parts	16
F		RS-232 Connection	10
FCC Regulations	13	S	
G		Safety Certifications	8
General Safety	6	Setup Example	10
H		South African Statement, Regulations	14
Handling Precaution	5	T	
Hazardous Locations	6	Technical Specifications	7
I		Terminal Ready	8
Installation	9	Transmit Data	8
International Restrictions	13	V	
L		Vehicle Safety	6
LED Indicators	8	W	
M		Warranty	8
Maintenance of the Adapter	6	Warranty Statement	15