

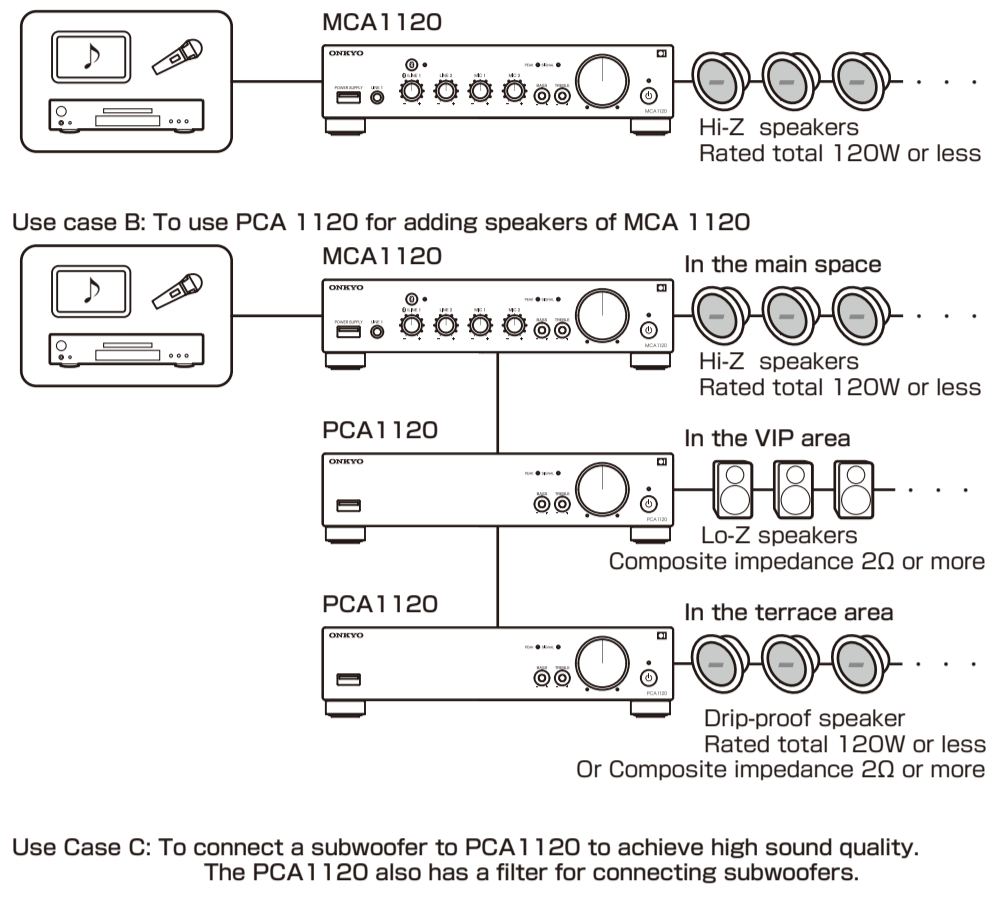
# ONKYO MONO-MIXING AMPLIFIER MCA1120

- Features**
- 1 x 120W at 4ohms, for commercial and industrial use
  - Lo-Z/Hi-Z (Hi-Z) / Hi-Z/Hi-Z (100V) Compatible
  - Bluetooth® / Front panel input for portable player
  - Infrared Line 2 (MIC) and 1 output
  - Priority Outset and Feedback Suppressor for MIC
  - Priority muting with PTT switch
  - Dynamic Loudness and Leveler for comfortable BGM
  - Present EQ and HPF for Loudspeakers
  - Setup done locally from rear panel
  - Expandable with optional power amplifier PCA1120
  - 1/2 Rack mountable (with optional RK-44-3)

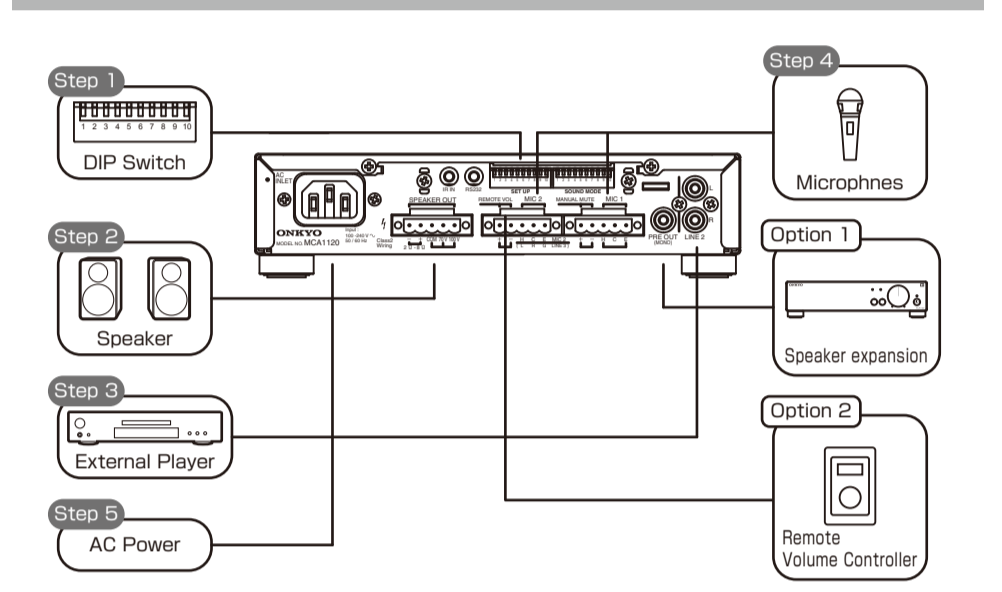
- Bundled Items**
- Main Unit
  - Installation Manual (This Document)
  - AC Power Cord
  - Safety Information
  - Spk Euroblock (3)
  - Warranty Card

This product must be installed by a special contractor.

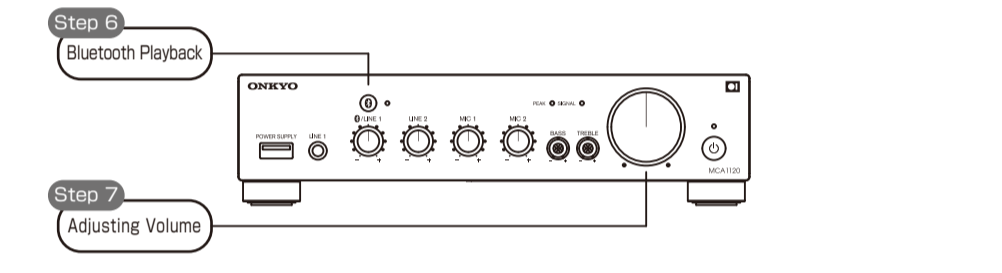
## System configuration example



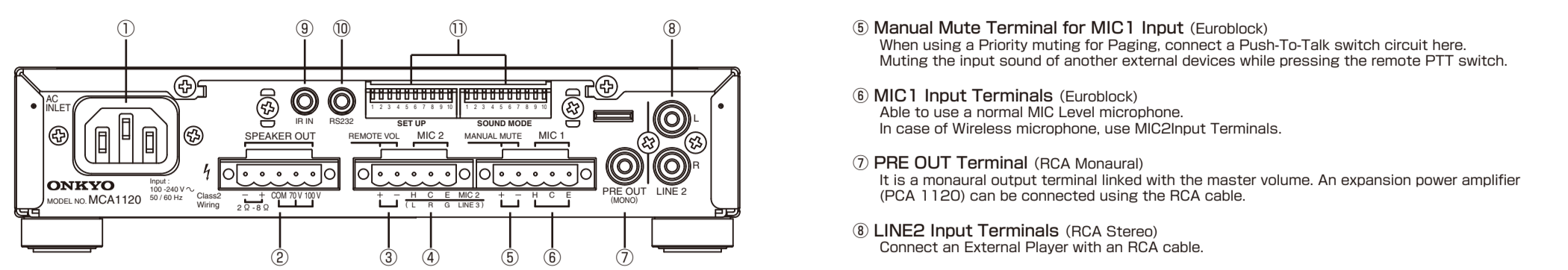
## Contents Setup & Wiring (Rear Panel)



## How To Use (Front Panel)



## Setup & Connections (Rear Panel side)



## Part Names & Functions (Rear Panel)

- AC Power IN (IEC C13, 100V-240V 50/60 Hz)**
- Speakers Terminals (Euroblock)**
- Remote Volume Terminal (Euroblock)**
- MIC2/LINE3 Input Terminals (Euroblock)**
- Manual Mute Terminal for MIC1 Input (Euroblock)**
- MIC1 Input Terminals (Euroblock)**
- PRE OUT Terminal (RCA Monoaural)**
- LINE2 Input Terminals (RCA Stereo)**
- IR IN (3.5mm Mini, Monaural) (Speaker)**
- RS232C (3.5mm Mini, Stereo/3-Pole)**
- DIP Switches**

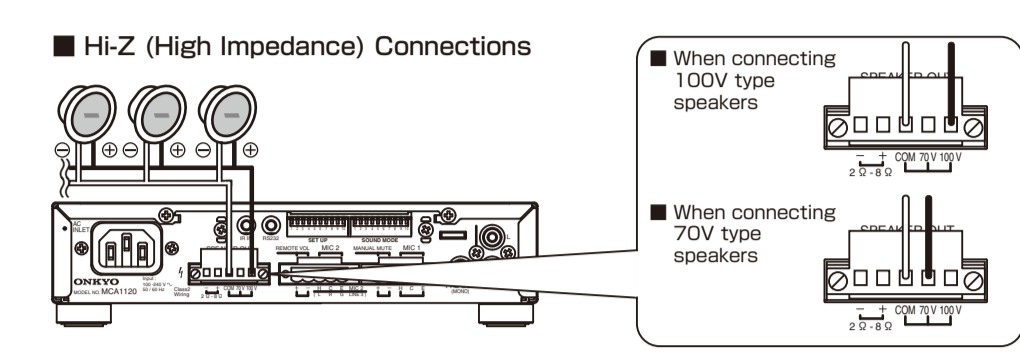
## Step 1: Settings of DIP Switches

- Step 1-1: SET UP DIP Switch**  
Mandatory settings for correctly and safely use. Unplug and plug the AC Power cord after setting / changing to SET UP DIP Switches.
- #1 [Keylock] of SET UP DIP Switch**  
To lock the front panel operation other than Power button and Master Volume.
- #2 [Auto Standby] of SET UP DIP Switch**  
To be Standby condition when the no input signal and no operation for 2 hours.
- #3.4 [Auto Power On] of SET UP DIP Switch**  
When detecting the selected input signal (audio or Bluetooth connection) during Standby, the power is turn on automatically.
- #5 [Volume Control] of SET UP DIP Switch**  
You can control the Master Volume of this unit by connecting an external volume (10kΩ). To control the volume by connecting the IR receiving unit to the IR IN terminal, select [IR control].
- #6 [MIC2 / LINE3] of SET UP DIP Switch**  
Set the use of MIC2 / LINE3 input terminals.
- #7 [MIC2 AMP] of SET UP DIP Switch**  
To connect the normal microphone (MIC out level) to MIC2 input terminals, select [On].
- #8 [SPEAKER OUT] of SET UP DIP Switch**  
Select Hi-Z or Lo-Z for Speaker Out.
- #9 [Speaker Lo-Z] of SET UP DIP Switch**  
More detailed setting is required when setting #8 (SPEAKER OUT) of SET UP DIP switch to [Lo-Z].
- #10 [Unused] of SET UP DIP Switch**

## Step 2: Connecting Speakers

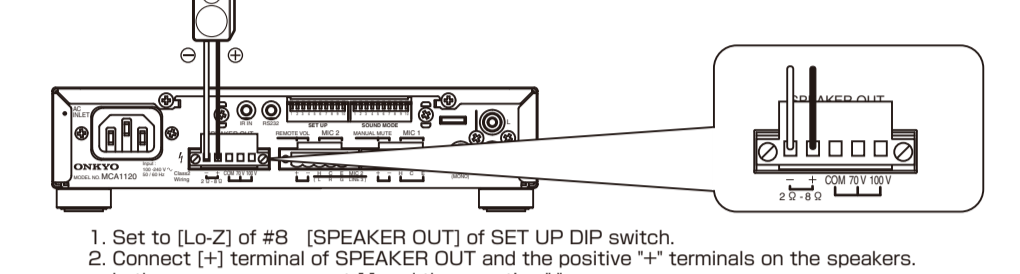
**Play close attention to speaker setting / connection!**  
It may cause malfunction or fire.

- Connect AC power cord in first step. Do not connect AC power cord before this step. It may cause electric shock.
- Check the connection area of Euroblock and Lo-Z/Hi-Z settings of DIP switches according to using speakers.
- If these are not matched, it may cause malfunction or fire.** Do not connect Hi-Z and Lo-Z speakers to one amplifier at the same time.



1. Set to [Hi-Z] of #8 (SPEAKER OUT) of SET UP DIP switch.  
2. Connect [100V or 70V] terminal of SPEAKER OUT and the positive "+" terminals on the speakers. In the same way, connect [COM] and the negative "-" terminals on the speakers. Make sure that the total rated input of the connected speakers is 120W or less.

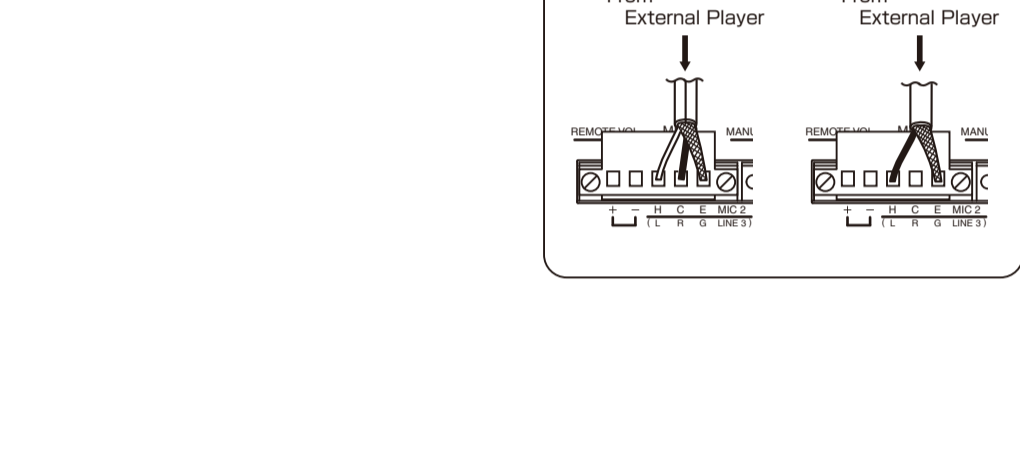
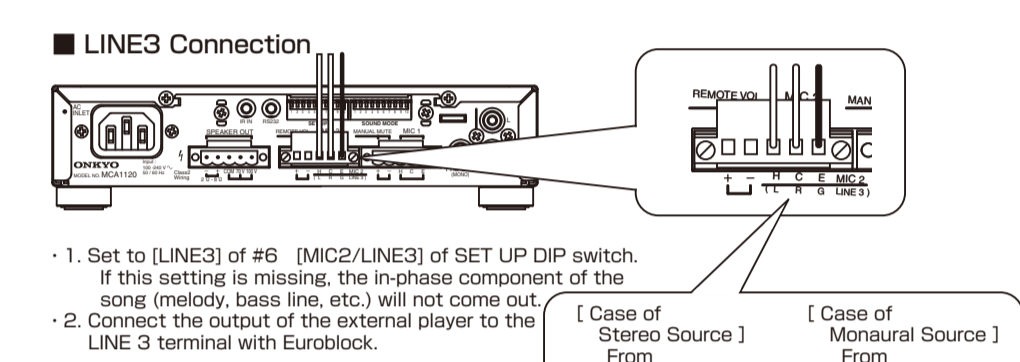
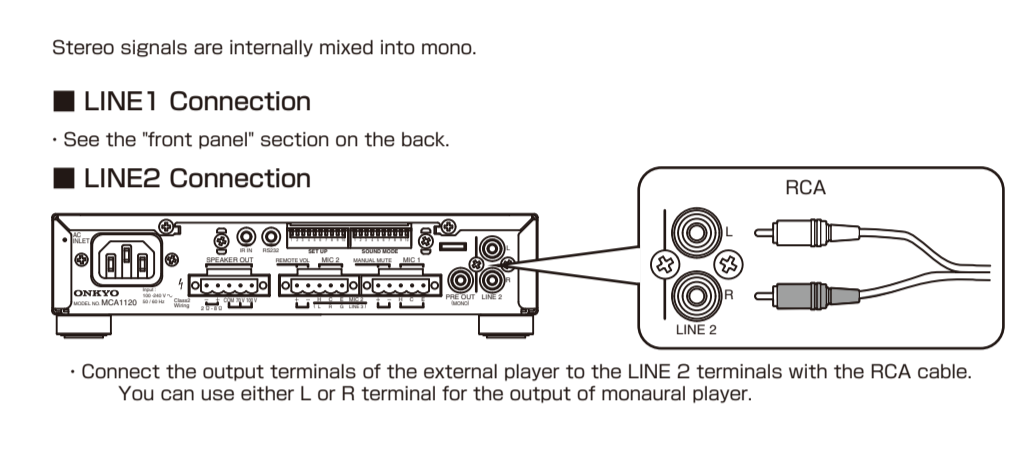
Do not connect 70V type and 100V type speakers to one amplifier at the same time.



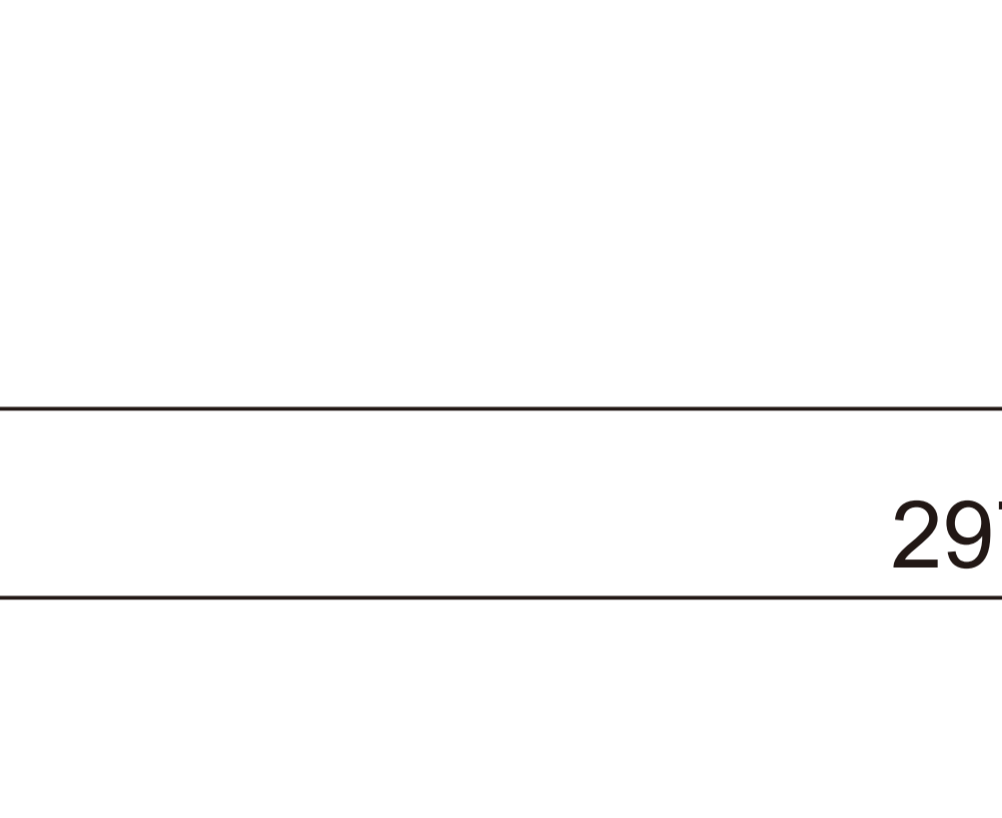
1. Set to [Lo-Z] of #8 (SPEAKER OUT) of SET UP DIP switch.  
2. Connect [100V or 70V] terminal of SPEAKER OUT and the positive "+" terminals on the speakers. In the same way, connect [COM] and the negative "-" terminals on the speakers. Make sure that the total rated input of the connected speakers is 120W or less.

Do not connect the Lo-Z speakers to the Hi-Z terminals.

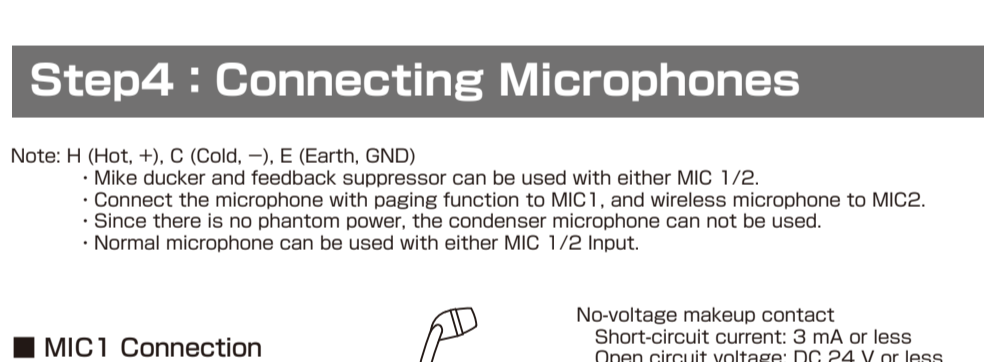
## Step 3: Connecting External Players



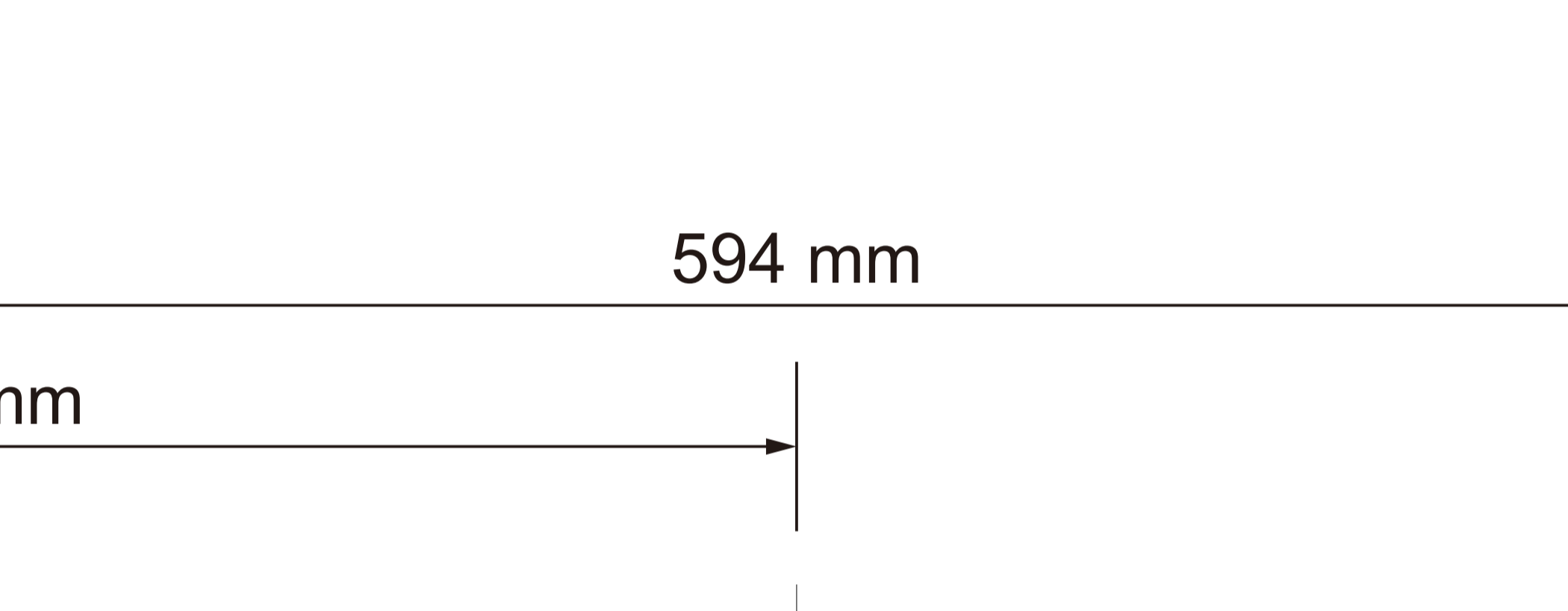
## Option 1: Expanding Speakers with PCA1120



## Option 2: Remote Volume Control



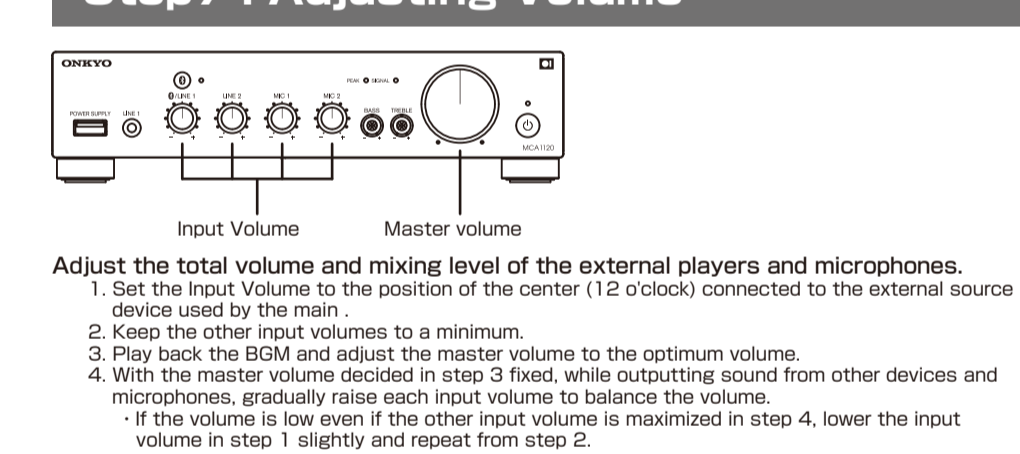
## How To Use (Front Panel)



## Part Names & Functions (Front Panel)

- USB Power Supply Terminal (5V/2.1A)**
- LINE1 Input Terminals (3.5mm Mini, Stereo)**
- Bluetooth Button / Indicator**
- Input Volume LINE1 (Bluetooth/LINE2/MIC1/MIC2/LINE3)**
- SIGNAL / PEAK Indicator**
- BASS / TREBLE Adjuster**
- Master Volume**
- Power Button / Indicator**

## Step 7: Adjusting Volume



## troubleshooting

Condition	Cause	Measure
Cannot turn on the unit	The power cord is not plugged. The protective circuit function is activated.	Make sure that the power cord is properly plugged into the wall outlet. Unplug the power cord from the wall outlet, and then plug it in again after a few minutes.
Cannot turn on the unit by Auto Power On	Output music signal of connected player is very low.	Turn up the volume of player. Set the master volume at center. Volume level is not set correctly.
No sound / Volume is very low / Sound is distorted at all inputs	Speaker setting is not correct. Total rated power of speaker is not over rated power of this unit. Bass/Treble setting is not correct.	Match the setting of impedance of speaker with this unit. Check total rated power of speaker is not over rated power of this unit. Check settings of Bass/Treble.
No sound / Volume is very low / Sound is distorted at perforce input	[LINE 1] volume level of external player is not correct.	Turn up the output volume level of the player. When the audio volume of your headphone output or Bluetooth device is set low, the playback of audio may be unbalanced.
No input signal	[Particular input] INPUT VOLUME level is low.	Adjust Input Volume level. Adjust input level of connected player.
No sound / Volume is low at MIC input	Using MIC level output microphone with MIC amp setting off.	Check the connection wire with external device. Check whether the external device (MIC/LINE3) DIP switch is set to [MIC].
Power indicator blinks and No power / No sound / Sound interrupted	Specification of speakers, settings of DIP switch and connected SP terminal position are not matched.	Match impedance and connection of speaker and this unit. Check total rated power of speakers is not over rated power of this unit.
Speaker cables are short-circuited	Make sure that speaker wires are not touching each other.	Make sure that the power cord is properly plugged into the wall outlet. Unplug the power cord from the wall outlet, and then plug it in again after a few minutes.
Cannot operate	Keylock is activated. Only power button and master volume work.	Set DIP switch [Keylock] to [Unlock]. Then unplug and plug AC power plug in again, and then turning it on again.
Bluetooth cannot connect or connection is interrupted	Radio wave interference may occur in the vicinity of components, such as microwave ovens or cordless phones. Sound is interrupted by some applications. Mute function in this unit is locked up.	Place the unit far from microwave or cordless phones. Shut down the application when you interrupt Bluetooth. Unplug and plug AC plug of this unit and/or reconnect Bluetooth equipment. If it does not work, connect to [LINE1] with 3.5mm plug cord.
Operation is unstable	The issue may be fixed by reinitializing. During the power is on, press and hold power button for 5s or more. Indicator blinks in red, then release the button.	Reinitialize the unit. During the power is on, press and hold power button for 5s or more. Indicator blinks in red, then release the button.

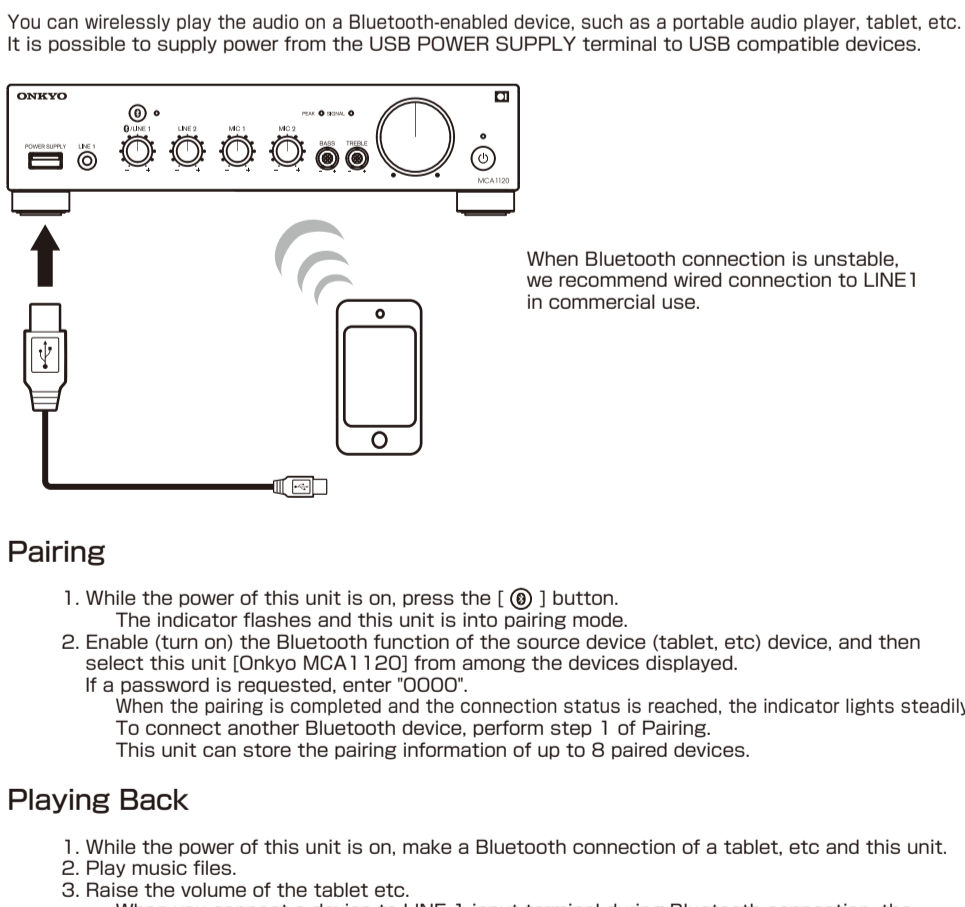
## Specification

Speaker Output	Lo-Z (Hi-Z)	Lo-Z (4-8Ω)	Hi-Z (100V)	Reference / Measurement Condition
Rated Power	120 W x 1ch (20W x 1ch(4Ω))	120 W x 1ch (20W x 1ch(8Ω))	120 W x 1ch	1kHz
Frequency Response	20 Hz ~ 20 kHz (±0dB)	20 Hz ~ 20 kHz (±0dB)	20 Hz ~ 20 kHz (±0dB)	Reference: 0dB @ 3W, 1kHz
Dynamic Range	115dB	115dB	115dB	Reference: 0dB @ 3W, 1kHz
Signal-to-Noise Ratio	90dB	90dB	90dB	Reference: 0dB @ 3W, 1kHz
Input Sensitivity	14dBV	14dBV	14dBV	Reference: 0dB @ 3W, 1kHz
THD+N	0.05%	0.05%	0.05%	Reference: 0dB @ 3W, 1kHz
Power Supply	100V-240V	100V-240V	100V-240V	Reference: 0dB @ 3W, 1kHz
Power Consumption	15.5Vrms	22Vrms	70Vrms	100Vrms
Weight	2.0kg	2.0kg	2.0kg	2.0kg

## Installation

- In case rack mount**
- Remove the top cover of the unit.
  - Attach the rack mount kit to the unit.
  - Insert the unit into the rack.
- In case of stacking**
- Place the unit on a flat surface.
  - Attach the feet to the bottom of the unit.
  - Stack the units on top of each other.

## Step 6: Bluetooth® Operation



## Playing Back

- While the power of this unit is on, make a Bluetooth connection of a tablet, etc. and this unit.
- Play music files.
- Release the volume of the tablet, etc.

**Bluetooth® / USB**

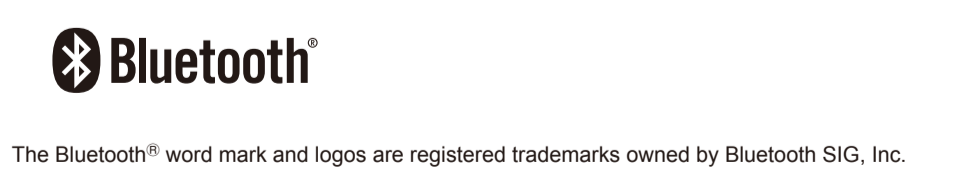
Item	Version
Bluetooth® / Communication System	Version 4.1
Bluetooth® / Communication Range	Max. 10m (Line of sight approx.)
USB / Communication System	Max. 1.8m (Line of sight approx.)
USB / Power Supply	5V/2.1A (USB for Audio)
Operating Temperature	0 ~ 40 °C (32 ~ 104 °F)
Power Consumption	0.1W (Standby)
Dimensions	118.5 (W) x 118.5 (D) x 44.5 (H) mm (4.67 (W) x 4.67 (D) x 1.75 (H) inch)
Weight	2.0 (kg) (4.4 (lb))
Product Weight	3.0 (kg) (6.6 (lb))
Option	Power Amplifier: PCA1120, Rack Mount Kit: RK-44-3

More detailed information of "Trouble Shooting" is posted on the Web. Please refer to page. If symptoms do not improve even if referring to them, please contact Onkyo service.

Since some parts such as cooling fans are consumable parts, it is necessary to replace the parts according to deterioration. For replacement, please contact the store you purchased or Onkyo service.



Specifications and features are subject to change without notice.



The Bluetooth® word mark and logos are registered trademarks owned by Bluetooth SIG, Inc.

Onkyo Marketing Corporation  
2-7-1, Nishi-Shinjyuku, Shinjyuku-ku, Tokyo 163-0292, Japan  
TEL: 03-3344-1111 FAX: 03-3344-1112  
E-MAIL: onkyo@onkyo.com