

TITLE: SCHEMATIC	REV: A	SHEET: 1/1	MODEL:	DATE: 2012.6.20
MATERIAL:	NO.:	UNIT: N/A	APPROVAL:	CHECKED:
COATING: N/A	DRAWER:	DESIGN:	LONG QUAN	
Corporation				

12 Example Application Schematic

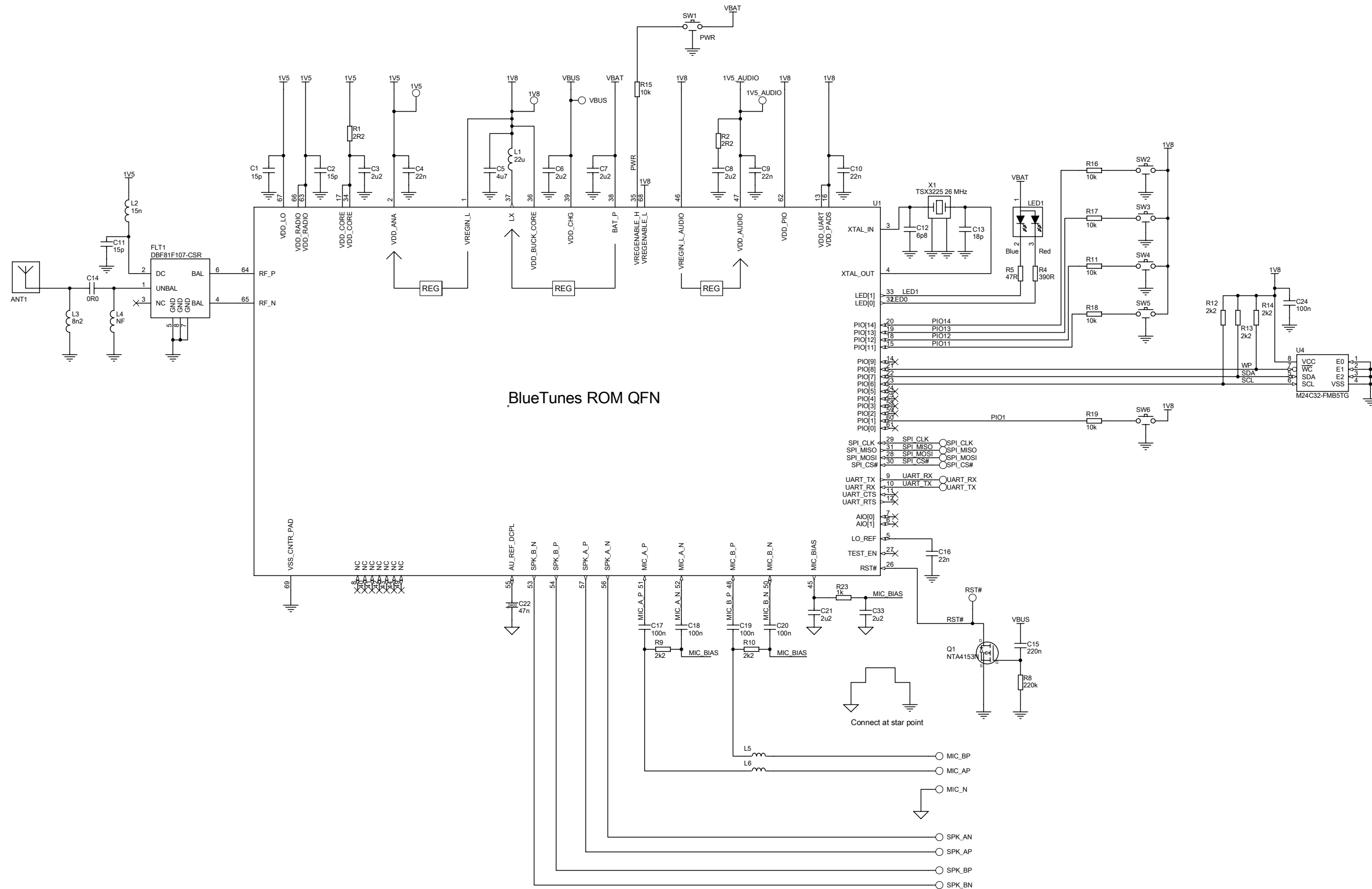


Figure 12.1: BlueTunes ROM QFN Example Application Schematic