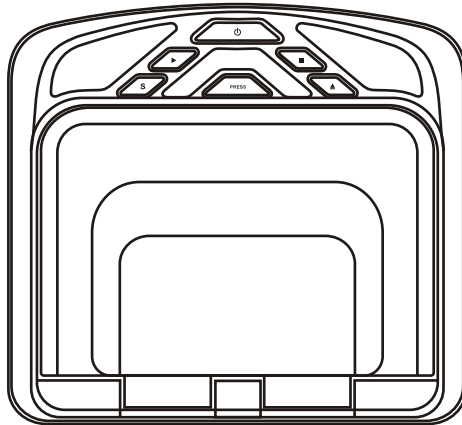


ODM90903

ODM91003

*9", 10.2" Overhead
TFT LCD Monitor
with Built-in DVD Player*



Owner's Manual / Installation Guide



Important Notice

An LCD panel and/or video monitor may be installed in a motor vehicle and visible to the driver if the LCD panel or video monitor is used for vehicle information, system control, rear or side observation or navigation. If the LCD panel or video monitor is used for television reception, video or DVD play, the LCD panel or video monitor must be installed so that these features will only function when the vehicle is in "park" or when the vehicle's parking brake is applied.

An LCD panel or video monitor used for television reception, video or DVD play that operates when the vehicle is in gear or when the parking brake is not applied must be installed to the rear of the driver's seat where it will not be visible, directly or indirectly, to the operator of the motor vehicle.

Changes or modifications not expressly approved by the party responsible for compliance could void the user's authority to operate the equipment.

Licensed under one or more of the following patents,
Patent NOS. 5,775,762 , 5,927,784 and 6,678,892

FCC ID : AT19R3ODM91003

FCC ID : AT19R3ODM90903

FEATURES ODM90903 / ODM91003

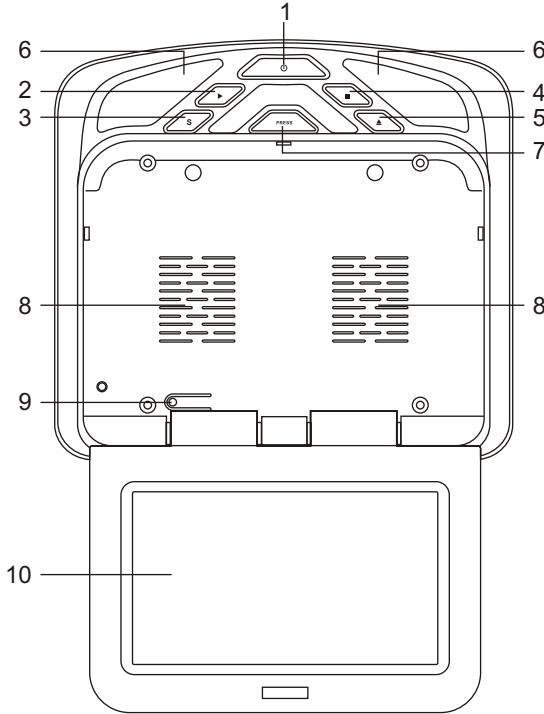
- 9", 10.2" TFT (Thin Film Transistor) Active Matrix LCD (Liquid Crystal Display) Monitor
- Built-in DVD Player
- OSD (On Screen Display) for control of picture quality and functions
- Three Audio / Video Source inputs (DVD/USB/CARD, AV and AUX).
- Dome lights with 3-position switch
- Built-in 16 channels frequency wireless FM modulator
- Last position memory for DVD
- Screen mode selection (4:3, 16:9)
- Wireless game controller
- Full function remote control
- Backlit controls
- AV output via RCA cable
- Playing DVD, CD and MP3 disc
- USB 2.0 port / SD Card Reader

SPECIFICATIONS

	ODM90903(9")	ODM91003(10.2")
LCD Backlighting	Edge Light Tube	Edge Light Tube
Resolution	1440 x 234	2400 x 480
Pixels	336, 960	1,152,000
Operation Temperature	32 ~131° F (0 ~ 55° C)	32 ~131° F (0 ~ 55° C)
Storage Temperature	-4 ~ 158° F (-20 ~ 70° C)	-4 ~ 158° F (-20 ~ 70° C)
Backlit life	10,000 Hours	30,000 Hours
Video Display System	NTSC / PAL	NTSC / PAL
Headphone Audio Output	0.03W @ 32 ohms	0.03W @ 32 ohms
Video Output	1.0Vp-p @ 75 ohms	1.0Vp-p @ 75 ohms
Power Source	12V DC	12V DC
Dimension (L x W x H)	297mm x 272mm x 62mm	297mm x 272mm x 62mm

Specifications subject to change without notice.

CONTROLS AND INDICATORS DIAGRAM (FRONT VIEW)



1. POWER (⏻) Control

Used to turn the system on/off (standby).

2. PLAY (▶) Control

This control is used to start playback of a disc.

3. Source Select (S)

Use to select one of the two sources: DVD/USB/CARD, AV and AUX.

4. STOP (■) Control

- Press STOP once : Stops playback, Pressing the PLAY button again will resume normal playback from where movie was stopped.
- Press STOP twice and then press PLAY to start playback from the beginning of the DVD.

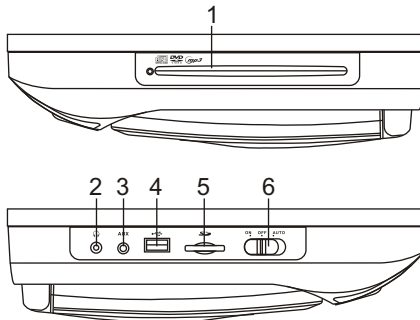
5. EJECT (▲) Control

This control is used for ejecting disc from the disc compartment.

(Note: Disc can be ejected with the unit turned Off. Vehicle ignition must be in Run or ACC position). After the disc is removed the unit will turn Off after 15-20 seconds.

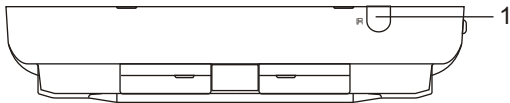
- 6. **Dome Lights**
Provide additional interior illumination.
- 7. **Screen Release**
Press to release the screen.
- 8. **Ventilation holes**
- 9. **LCD Cut Off Switch**
Used to turn off the LCD backlight when the LCD is in the closed position.
- 10. **LCD Panel**

CONTROL FUNCTION DESCRIPTION (SIDE VIEW)



- 1. **Disc insertion Slot**
For loading and removing discs. Unit must be in power on state to load a disc. Insert disc with label side facing upwards.
- 2. **Headphone Jack**
The jack is applicable for wired headphone with a 1/8" (3.5mm) plug to listen audio output.
- 3. **AUX IN**
The Jack is applicable for audio and video input.
- 4. **USB PORT**
USB input for USB thumb drive.
- 5. **SD Card Reader**
Allow to read the contents (Audio, Photo, Video) data on the Secure Digital Card (SD Card), Multimedia Card (MMC), Memory Stick (MS).
- 6. **Three Position Dome Light Switch**
 - ON** - Turns on the dome lights.
 - OFF** - The dome lights will not turn on in this position.
 - AUTO** - Automatically switches on the dome lights in conjunction with the vehicle's interior illumination.

CONTROL FUNCTION DESCRIPTION (BACK VIEW)



1. REAR IR SENSOR

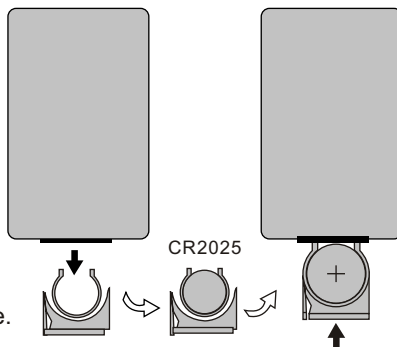
REMOTE CONTROL OPERATION

Initial Use

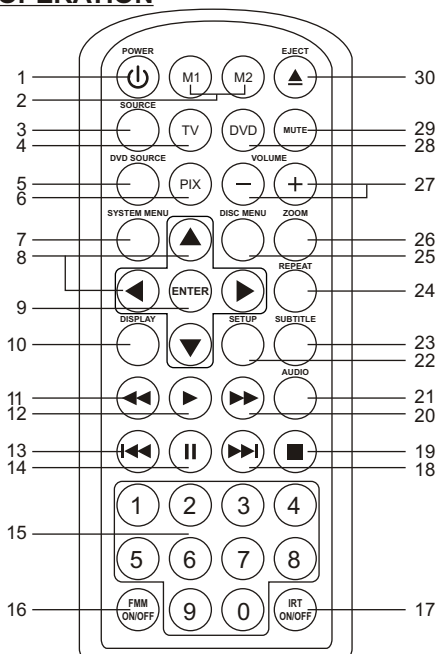
When purchased the remote control has a battery installed with a Pull Tab to prevent battery discharge. Remove the Pull Tab before attempting to use the remote.

Battery Replacement

1. Remove the battery holder.
2. Insert the battery into the battery holder. And insert the battery holder into the remote. Be sure to observe the correct polarity.
3. Align the battery holder with the remote control and push it in until the holder clicks.



MAIN FUNCTION OPERATION



* Function control is available on the unit and the Remote Control.

** Function not available in this model.

1. POWER*

Press this button to turn the unit ON and OFF.

2. MONITOR SELECT

M1 Button – Set the remote control code to allow control of the unit in M1 mode.

M2 Button** – Set the remote control code to allow control of the unit in M2 mode.

3. SOURCE*

Each time the button is pressed, the unit will cycle through modes DVD/USB/CARD, AV and AUX.

4. TV Mode Select

Switches certain function keys on the remote control for monitor functions.

5. DVD Source

This button is select key only can be active when remote control is in DVD mode function. Each time the button is pressed one of the source DVD, Card Reader and USB will be selected. If the Card Reader and USB not apply on the unit, it will remain on DVD Source.

6. PIX (Picture Select)

Each time of this button is pressed, the OSD picture adjustment displays the "Adjustment bar" for BRIGHTNESS, CONTRAST, COLOR, TINT(For NTSC only) or RESET. Once the desired adjustment bar is displayed, use the VOLUME+/-VOLUME- button to adjust the setting. The display will automatically turn off if no adjustments are made within 6 seconds, or other button is not pressed.

7. SYSTEM MENU

Allow the user to access the system menu. Press cursor (▲▼) buttons to select desired picture control FMM screen mode, OSD language and source default during power up.

8. CURSOR (▲▼◀▶)

Use these buttons to access menu selections on the screen.

9. ENTER

Used to implement a selected setting or menu option.

10. DISPLAY

Press to display the current disc information while the disc is playing.

11. SCAN BACKWARD (◀◀)

Press to search in a backward direction. Press repeatedly to change the search speed from 2, 4, 8, 16, 32 times and normal speed.

12. PLAY*

Press to activate the play mode while a disc is loaded into the disc compartment.

13. PREVIOUS (◀◀)

Press to return to the previous chapter or track.

14. PAUSE (⏸)

Press to pause playback.

15. NUMBERS

Allow the user to ENTER the numbers 0-9 for selection of the tracks, titles chapters or password setting.

16. FMM ON/OFF

Turns the FM Modulator power on/off.

17. IRT ON/OFF (Optional)

Turns the Infrared Transmitter on or off for IR wireless headphones.

18. NEXT (▶▶)

Press to skip to the next chapter or track.

19. STOP (■)*

Press to stop playback.(Playback will resume from the point it is stopped). Press twice at once to stop playback fully. Playback will resume from the beginning of the disc).

20. SCAN FORWARD (▶▶)

Press to search in a forward direction. Press repeatedly to change the search speed from 2, 4, 8, 16, 32 times and normal speed.

21. AUDIO

Press to display and select audio language in DVD mode. Each time you press the button, the language changes.

Note: *The available languages vary from disc to disc.*

22. SETUP

Press to display the Setup menu which allows the user to change the DVD player options such as LANGUAGE, VIDEO, RATING & MISC. Refer to the settings and adjustments section for more information.

23. SUBTITLE

Press to display and select the subtitle language in DVD mode. Each time you press the button, the subtitle language changes.

Note: *The type and number of languages for subtitle vary from disc to disc.*

24. REPEAT

Allows the user to repeat a selected CHAPTER, TITLE, ALL or OFF.

25. DISC MENU

Allow the user to access the DISC'S menu mode.

26. ZOOM

Press this button to enlarge the picture when playing a DVD disc.

Press ZOOM button DVD player perform

Once	ZOOM 2 X - Enlarge the picture 2 times of the original size
Second	ZOOM 3 X - Enlarge the picture 3 times of the original size
Third	ZOOM 4 X - Enlarge the picture 4 times of the original size
Forth	ZOOM 1/2 - Reduce the picture to 1/2 of the original size
Fifth	ZOOM 1/3 - Reduce the picture to 1/3 of the original size
Sixth	ZOOM 1/4 - Reduce the picture to 1/4 of the original size
Seventh	Picture is returned to original size

27. VOLUME DOWN (-) or UP (+)

Press to decrease or increase the level of the picture adjustments. Press to decrease or increase the volume of the wired headphones. The volume also use to adjust the picture setting level after the picture select button is pressed.

28. DVD Mode Select Button

Switches certain function keys on the remote control for DVD function.

29. MUTE

Press this button to mute the audio for wireless FMM, IR headphones and wired headphones.

Pressing the button again restores the sound to the previously set level.

30. EJECT (▲)*

This button is used to eject the disc.

MENU ADJUSTMENT

The System Menu Contains features and options that let you customize your system to change the screen mode display, OSD language and source default.

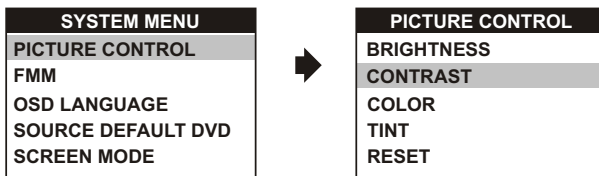
- 1) Press the SYSTEM MENU button on the remote, the main page of the system menu will appear on screen.
- 2) Use the cursor buttons ▲ or ▼ to select the desired item in the main page and press the ENTER button to select.
- 3) The sub menu will appear on screen.
- 4) Use the cursor buttons ▲ or ▼ to select an item in the sub menu and then press the ENTER button to select.
- 5) Press the System Menu button to exit System Menu.

Note: System Menu can be controlled via Remote Control only. (Items selected in the menu will have a green background)

PICTURE CONTROL SELECT

When watching program, the picture quality can be adjusted to suit satisfactory.

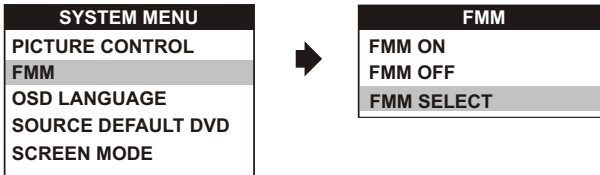
- 1) Each time this button is pressed, the on screen picture adjustment displays the “adjustment” for **BRIGHTNESS, CONTRAST, COLOR, TINT** (for NTSC only) or **RESET**.
- 2) Once the desired adjustment bar is displayed, use the Volume(+)/Volume(-) Button to adjust the setting. The display will automatically turn off if no adjustment are made within 6 seconds, or is any other button is pressed.
- 3) Press the ▼button four time to select RESET, then press either Volume(-)or the Volume(+)button on the remote or ther main unit and all of the picture settings (**BRIGHTNESS, CONTRAST, COLOR** and **TINT**)will return to the factory setting.



FMM SELECT

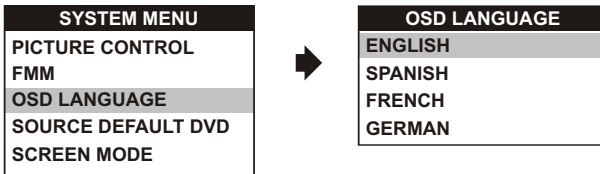
FMM ON/OFF options - Turns the wireless FM Modulator on or off.

FMM SELECT option - Selects the wireless FM Modulator Frequency (CH1 88.1MHz, CH2 88.3MHz, CH3 88.5MHz, CH4 88.7MHz, CH5 88.9MHz, CH6 89.1MHz, CH7 89.3MHz, CH8 89.5MHz, CH9 89.7MHz, CH10 89.9MHz, CH11 90.1MHz, CH12 90.3MHz, CH13 90.5MHz, CH14 90.7MHz, CH15 90.9MHz, CH16 91.1MHz)



OSD LANGUAGE

This allows the user to select the language for the on-screen display. The user can either select English, Spanish, French, German for the OSD language.

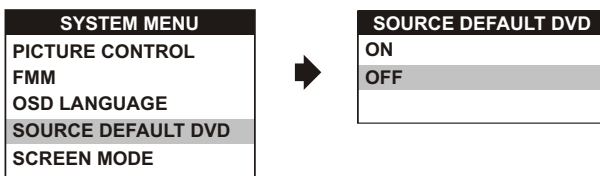


SOURCE DEFAULT DVD

This allows the user to set the system default source to DVD (via System Menu).

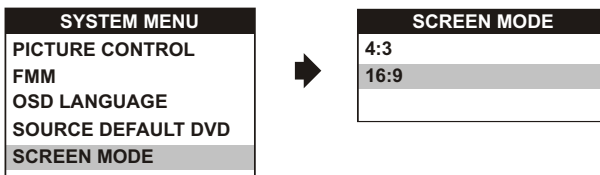
Note:

- If selected default source is set to DVD every time the unit's power is cycled with the source set to something other than DVD, the unit will power up and automatically switch the source over to DVD.
- Unit will be set to Last Memory on as the default mode of operation.
- Selection of Source default can only be made from within the system menu.



SCREEN MODE SELECT

This allows the user to change the screen format (aspect ratio 4:3, 16:9). To select the screen aspect ratio format highlight SCREEN MODE and press ENTER button to enter the submenu. Then press the Cursor button ▲ or ▼ to select from 4:3 or 16:9. Press ENTER button to confirm the setting.



SETTINGS AND ADJUSTMENTS

The Setup Menu contains features and options that let you customize your DVD player. For example, you can set a language for the on-screen display or prevent DVD playback for children.

Using the Setup Menu

1. Press the SETUP button on the remote. The Setup Menu appears on the screen as shown per diagram. There are 5 icons on the top part of the Setup Menu. Each icon represents a page.



Main Page



Video Quality Setup



Password Setup

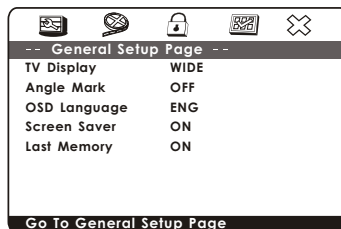


Preference Setup



Exit Setup

2. To set the desired option, move the highlight into the setup area using the cursor button ►.
3. After entering the setup area, highlight the desired option using the cursor button ▲ or ▼.
4. Press ► to open the sub menu that contains the different options available. Press ▲ or ▼ to highlight the desired option, and press ENTER to confirm the selection.
5. Repeat steps 3~4 to set the options that reside on the same Setup Page.
6. To change to another Setup page, press ◀ to position the highlight back on the icon side of the setup page. Then, repeat steps 2~5.



Exiting the Setup Menu

Press the SETUP button again or move the highlight to “✕” icon and then press ENTER..

MAIN PAGE

TV Display

The TV DISPLAY setup allows you to set the screen aspect ratio.

Normal/PS

This displays the wide picture on the screen with a portion of the left & right side removed.

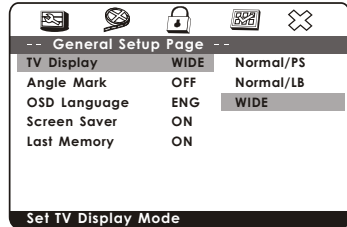
Normal/LB

This displays the wide picture with black bands on the upper and lower portions of the screen.

WIDE

This displays a wide picture with black bands on the upper and lower portion of the screen. The bandwidth will vary, depending on the aspect ratio of the disc.

Note: This setting can only be made when there is no disc in the player.

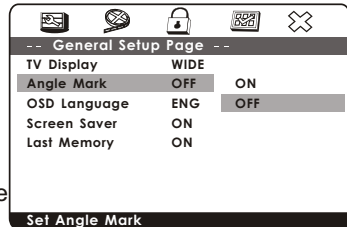


Angle Mark

The Angle Mark setup allows you to turn on/off the angle mark display on the screen.

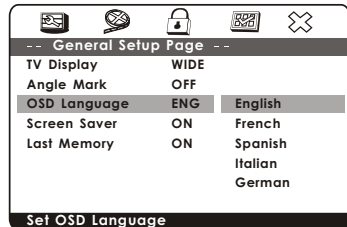
ON -The screen shows angle mark if an angle option is available on a DVD.

OFF -There is no angle mark display on the screen even though there is an angle option available on a DVD.



OSD Language

The OSD Language setup allows you to select the language for the on-screen display. The user can either select English, French, Spanish, Italian or German for the OSD Language.



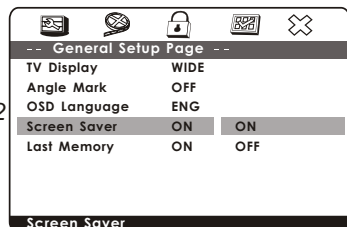
Screen saver

This option allows the operator to set the Screen Saver mode.

ON -Screen saver will appear

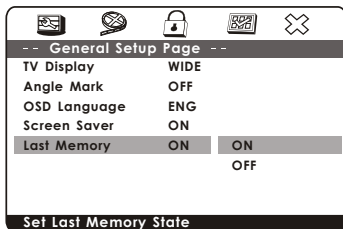
OFF -Screen saver will not appear

Note: The DVD player will enter Screen Saver mode if the unit is inactive for approximately 2 Minutes.



Last Memory

- ON** - DVD will have last memory when power interruption
- OFF** - DVD will not have last memory when power interruption



VIDEO QUALITY SETUP

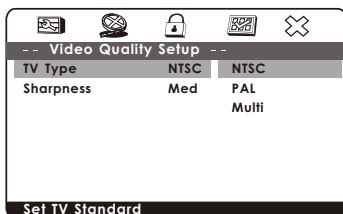
TV Type

The TV Type setup allows you to select the color system of the TV to be connected.

NTSC - Select this type for NTSC TV

PAL - Select this type for PAL TV

Multi - Select this type for multi-system TV



PASSWORD SETUP PAGE

Password Change

This item allows you to change the password. After you have selected the password change, the Figure below is shown:

Old Password

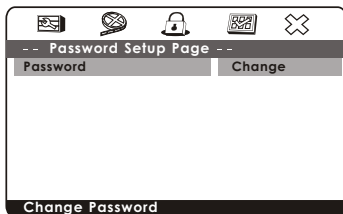
Input the old password or the default password (4 digits)

New Password

Input a new password (4 digits) using the numbers buttons (0 ~ 9)

Confirm PWD

Confirm the new password by entering the same password again. Then press ENTER to apply the changes.



Old Password	<input type="text"/>
New Password	<input type="text"/>
Confirm PWD	<input type="text"/>
<input type="button" value="OK"/>	

Please Enter Old Password

NOTE: The Default Password is 3308. This password is always effective even after you have selected your own password and change it. To avoid the possibility of others using the default password to set the parental level and change the password, you can record this default password in another area and delete it from this manual. Some discs can be limited depending on the age of users while some discs cannot.

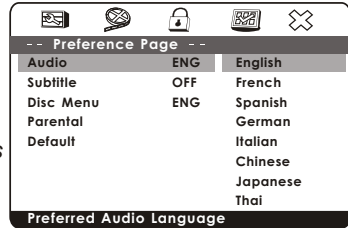
PREFERENCE PAGE

The Setting in this page can only be made when the player is in the Stop mode or when there is no disc in the player.

Audio Setup

Select "Audio" using ▲▼button, then press ► button to enter the Sub menu. Select the audio you desire using ▲▼button, then press "ENTER" to confirm the setting. Press ◀button to return.

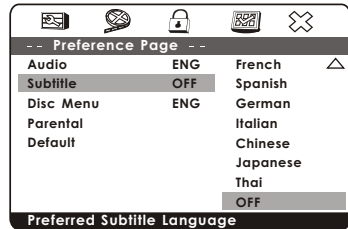
Note: The audio selection is only available for discs that are recorded in the above listed languages. If the selected, language is not available, the player will play and display on the screen the original language contained in the disc.



Subtitle Setup

Select "Subtitle" using ▲▼button, then press ► button to enter the Sub menu. Select the subtitle you desire using ▲▼button, then press "ENTER" to confirm the setting. Press ◀button to return.

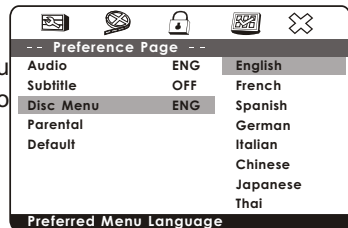
Note: The subtitle selection is only available for discs that are recorded in the above listed languages. If the selected, language is not available, the player will play and display on the screen the original language contained in the disc.



Disc Menu Setup

Select "Disc Menu" using ▲▼button, then press ► button to enter the Sub menu. Select the Disc Menu you desire using ▲▼button, then press "ENTER" to confirm the setting. Press ◀button to return.

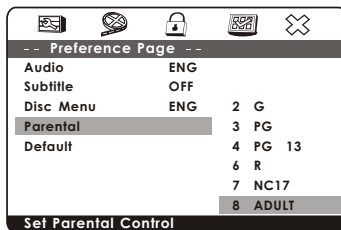
Note: The disc menu selection is only available for discs that are recorded in the above listed languages. If the selected, language is not available, the player will play and display on the screen the original language contained in the disc.



Parental

This item allows you to limit movie playback from G to ADULT. The lower the value, the more strict the control.

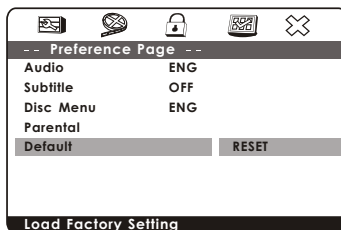
- 2 G
- 3 PG
- 4 PG 13
- 6 R
- 7 NC17
- 8 ADULT



Default - RESET

The Default - RESET allows you to reset all options to factory settings.

Note : This function will not affect the parental control settings.



Playing DVDs

1. Press the DISPLAY button on the remote control to display the status banner. The banner includes Title Elapsed, Title Remain, Chapter Elapsed, Chapter Remain, Display Off.
2. **Title Selection**
Press numeric(0~9) buttons to initiate a change of title selection. Then press ENTER to implement the selection.
3. **Chapter selection**
Press numeric(0~9) buttons to initiate a change of chapter selection. Then press ENTER to implement the selection.

Playing USB, Memory Cards (SD/MMC/MS)

1. The System will detect the insertion of the USB or CARD (SD/MMC/MS) media automatically if no disc is loaded. The system only auto detects the first media inserted (card or USB drive); the second media source can be manually selected by pressing the DVD source button on the remote control.
2. When a disc is inserted, the system will switch to DVD mode immediately regardless of which type of media (card or USB) is currently playing.
3. The DVD source (DVD, USB, or SD Card) can only be changed if the DVD is stopped (not playing)
4. This system cannot support more than 2 memory partitions on the USB thumb drive.

Note: The system will always default to the DVD when the system detect a disc in the

Playing Audio CDs

When playing an audio CD, the DISPLAY banner appears automatically. It displays the track and the amount of time remaining for the track playing, the total amount of time on the disc and the elapsed time for the disc. Pressing the DISPLAY button on the remote consecutively changes the options of the time display.

Press DISPLAY x 1	Single Elapsed appears along with the current track playing and the time playing on that track.
Press DISPLAY x 2	Single Remain appears along with the current track playing and the amount of time left of that track.
Press DISPLAY x 3	Total Elapsed appears along with the current track playing and the total time playing on the CD in normal playback.
Press DISPLAY x 4	Total Remain appears along with the current track playing and the amount of time left on the CD in normal playback.
Press DISPLAY x 5	Turn off the DISPLAY banner.

Selecting a Chapter

You can skip to a specific track by using the numbers keys. For example, if you want to skip to track 7, press "07"

Using the REPEAT Feature

The default mode for the Repeat feature is OFF. Pressing REPEAT consecutively changes the repeat options:

- TRACK - repeat the track that is playing
- ALL - repeat the entire disc that is playing
- Repeat Off - turn off repeat function.

As you toggle through the options, the repeat option changes at that time. The track, for example, repeats once that track has ended. The selected repeat option loops repeatedly until you turn it off.

Playing MP3 Discs

MP3 is a format for storing digital audio. An audio CD-quality song can be compressed into the MP3 format with very little loss of quality, while taking up much less space.

CD-R/CD-RW discs that have been encoded in MP3 format can be played on your DVD player. The DVD player plays the songs in the order they were burned on to the disc.

Press the DISPLAY button on the remote to display the current play mode and to change the time display between time elapsed and time remain.

- Time elapsed is the time that the song has been playing.
- Time remaining is the amount of time left for the song being played.

Selecting Folders and Songs

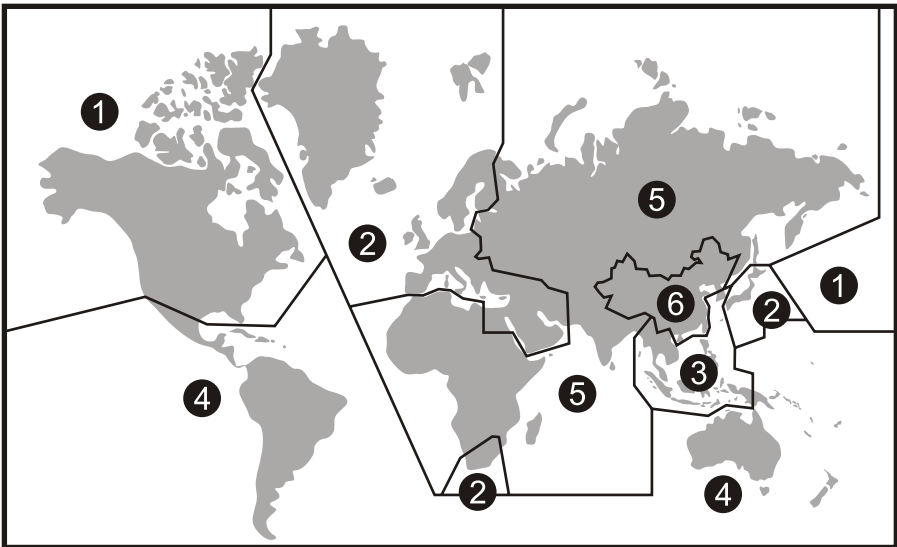
When an MP3 is loaded in the player, the navigation menu appears automatically.

1. Press ▲ or ▼ to move the highlight to the desired folder and press ENTER to display the songs in the folder.
2. Press ▲ or ▼ to move the highlight to the desired folder and press ENTER to begin playback of the highlighted song.

Selecting a Play Mode

You can choose what order the songs will play on a disc temporarily. The default play mode is FOLDER. Press REPEAT consecutively to choose the desired play mode. The play mode options are :

- Repeat One Repeat the song that is playing.
- Repeat All Repeat the disc that is playing.
- Repeat Off Turn off repeat function.



Region 1- USA, Canada

Region 2- Japan, Europe, South Africa, Middle East, Greenland

Region 3- S. Korea, Taiwan, Hong Kong, Parts of South East Asia

Region 4- Australia, New Zealand, Latin America (including Mexico)

Region 5- Eastern Europe, Russia, India, Africa

Region 6- China

DVD Area Code

The DVD player is preset to a region code at the factory depending on where the DVD player is sold. DVD from a different region cannot be played in this unit and the unit will display "WRONG REGION"

DVD Basics

To get the optimum use out of the DVD section, make sure you read this section completely.

Types of Discs your DVD will play

- DVD* disc - DVD discs which contain video.
 - Audio disc - Audio CDs contain musical or sound content only.
 - MP3 disc - A disc that contains audio files (for example, a CD-R with downloaded MP3 files).
- * This system is capable of playing most recordable DVD formats. However, due to the variety of disc manufacturers and software, playback cannot be guaranteed.

Loading and Playing Discs

Before you load a disc, make sure that it is compatible with the player. Insert the disc with the label facing the head liner.

Note: *the following Discs **CANNOT** be used with this player :*

- *Mini Disc*
- *Laserdisc*
- *CD-1, CD-ROM, DVD-ROM, Super Audio CD (SACD), DVD Audio, JPEG*

To load and Play a Disc

Press the Power button to turn the unit on. Select DVD mode and insert the disc (label facing upwards) into the disc compartment.

ACCESSORIES

WIRELESS HEADPHONES

The ODM98501 includes a built-in infrared transmitter for use with the supplied wireless headphones. The headphone volume is adjusted using the controls on each headset. Any number of wireless headphones may be used but they must be used within a line of sight from the transmitter, as infrared transmissions, like visible light travel only in a straight line. See the documentation accompanying your wireless headphones.

WIRED HEADPHONES (OPTIONAL)

There is one 1/8" headphone jack on the unit that can be used with any standard wired stereo headphones with a 1/8" plug. This jack is controlled by the volume up/down buttons on the remote control.

SOURCE FEATURE

AV1

The AV1 input may be connected to a external video source, video game system, or other audio / video devices. To access the audio / video inputs, turn the unit on and press the S (source) button or the Source button on the remote control until "AV1" is displayed on the screen. Turn the video source component on with its power button or remote control and it is now ready to play the audio and video signals from the source connected .

***Note:** AV1 sources are available only if pre-installed during your video product installation.*

AUX

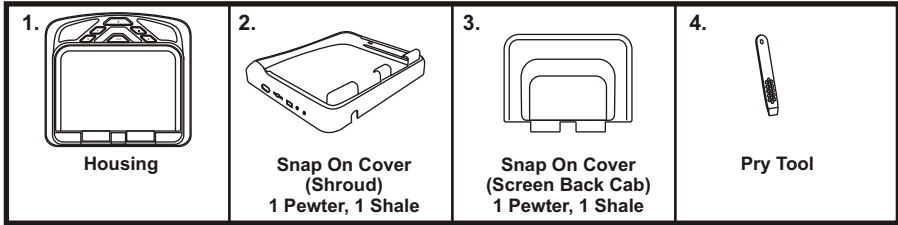
The AUX input may be connected to a external video source, video game system, or other audio / video devices. To access the audio / video inputs, turn the unit on and press the S (source) button or the Source button on the remote control until "AUX" is displayed on the screen.

***Note:** Similarly, if an iPod is to be used, such as the Apple ipod 30, connect one end of the iPod adapter cable (purchased separately) to the AUX and USB connector on the unit and connect the other end of the cable to the iPod connector. The iPod adapter cable can be purchased from the vendor where the unit was sold.*

TROUBLESHOOTING

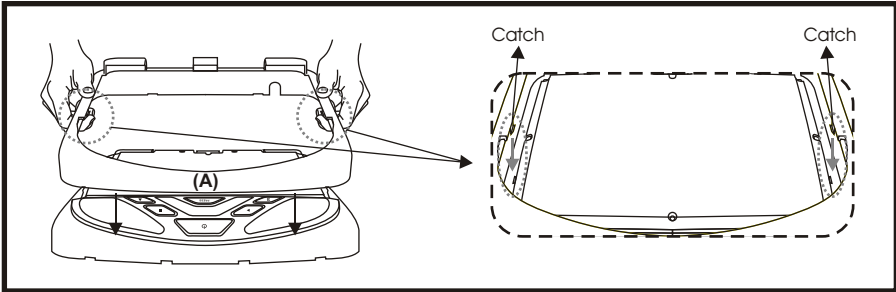
PROBLEM	SOLUTION
IR remote inoperative	<ul style="list-style-type: none"> • Verify that the batteries in the remote are fresh. • Verify that the remote sensor eye is not obstructed.
Disc won't play	<ul style="list-style-type: none"> • Insert a disc with the label side facing upwards. • Check the type of disc you put into disc tray. This DVD only plays DVD, audio CD and Mp3. • Both the unit and the disc are coded by region. If the regional codes don't match, the disc can't be played.
Play starts, but then stops immediately	<ul style="list-style-type: none"> • The disc is dirty. Clean it. • Condensation has formed. Allow player to dry out.
No sound or distorted sound	<ul style="list-style-type: none"> • Make sure your DVD is connected properly. Make sure all cables are securely inserted into the appropriate jacks. • If you are using the 2-channel IR headphones, make sure you turn on the IR headphone power, make sure the correct channel (A-B) is selected. • Make sure the Modulator is ON and the proper Frequency has been selected. Make sure that unit is set to M1 when using Single Channel Headphones.
Can't advance through a movie	<ul style="list-style-type: none"> • It can't advance through the opening credits and warning information that appear at the beginning of movies because the disc is programmed to prohibit that action.
⊘ Not allowed at the moment	<ul style="list-style-type: none"> • The feature or action cannot be completed at this time because: <ol style="list-style-type: none"> 1. The disc's software restricts it. 2. The disc's software doesn't support the feature (e.g., angles) 3. The feature is not available at the moment. 4. 4 requested a title or chapter number that is out of range.
Picture is distorted	<ul style="list-style-type: none"> • The disc might be damaged. Try another disc. • It is normal for some distortion to appear during forward or reverse scan.
No forward or reverse scan	<ul style="list-style-type: none"> • Some discs have sections that prohibit rapid scanning or title and chapter skip. • If you try to skip through the warning information and credits at the beginning of a movie, you won't be able to. This part of the movie is often programmed to prohibit

Installing The Snap On Covers



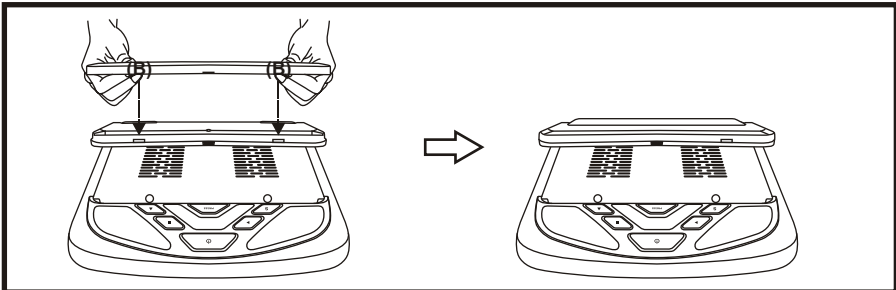
Place the pod on a soft surface to avoid damaging the plastic.

Installing The Shroud



Begin by hooking area "A" (above) over the dome light and slide the cover over the pod. The cover will snap in place.

Installing The Screen Cover

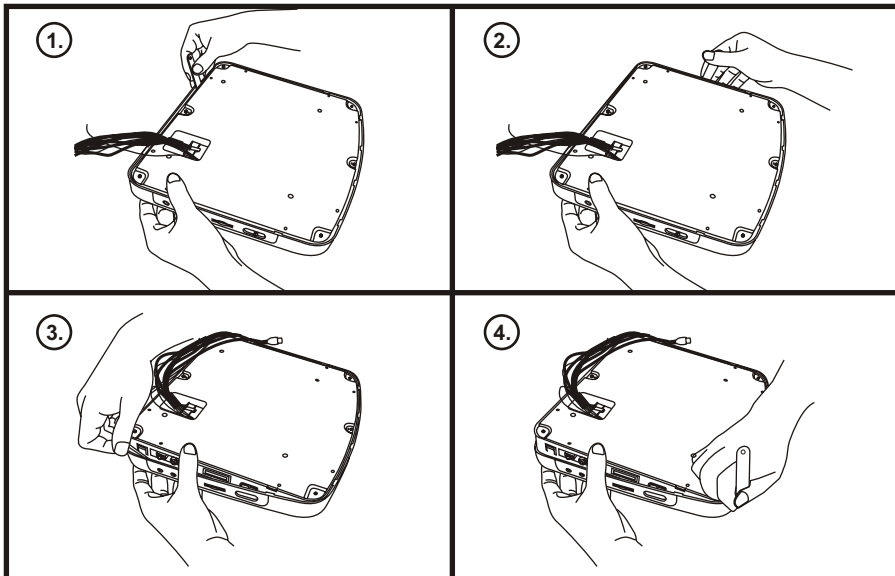


Open the screen and hook the two tabs "B" on the bottom edge of the screen. Snap the opposite side over the hinge.

Removing The Snap On Cover (Shroud) From The Housing

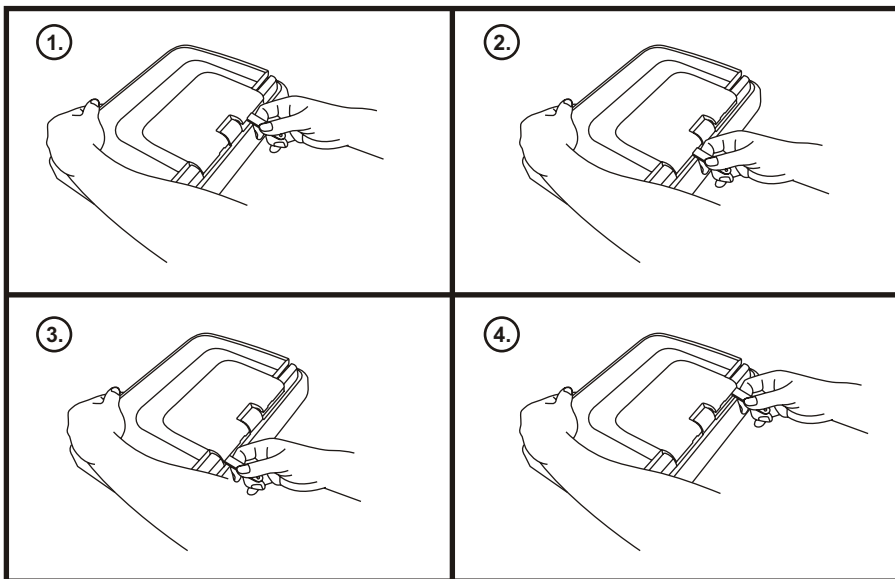
Work on a soft surface to avoid damaging the plastic.

Insert the supplied **pry tool** between the Housing and **Snap On Cover (Shroud)**, then press the **pry tool** to release the **Snap On Cover (Shroud)**.

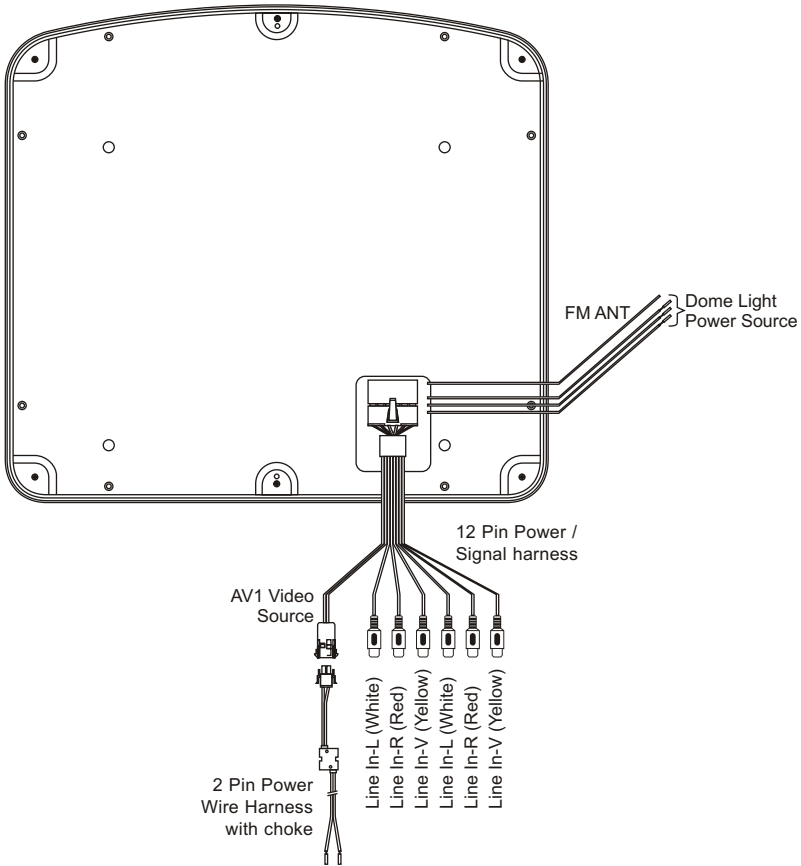


Removing The Snap On Cover (Screen Back) From LCD The Housing

Insert the supplied **pry tool** between the Housing and **Snap On Cover (Screen Back)**, then press the **pry tool** to release the **Snap On Cover (Screen Back)**.



WIRING DIAGRAM



- 1) Make the connections to the vehicle for the 12 pin wiring harness.
- 2) Connect 2 pin power harness to vehicles electrical system by tapping into an accessory hot line and a good ground.
- 3) Connect the 12 pin harness to the mating connector on the video monitor.
- 4) Verify all functions of the system before final mounting of the finished assembly.

A/V Source Definitions:

 1. DVD - Built in DVD
 2. AV1 - Supplied 12 Pin Power / Signal Harness to 3 RCA Jack Pigtail is used for AV1 input.
 3. AUX - AUX input.

***NOTE:** Extending the wireless antenna beyond its 12 inch length will cause the FM modulator to exceed FCC limits of wireless transmission. When installing the unit position the antenna for best reception.

CONNECTING THE DOME LIGHTS

The dome lights in the video monitor require three connections to the vehicle's wiring. There are two common types of dome light circuits used, positive or negative switched system. Positive switched systems supply voltage to the interior lights to turn on, negative switched systems apply ground to illuminate the bulbs.

To determine which system you have to locate the wires at the dome light:

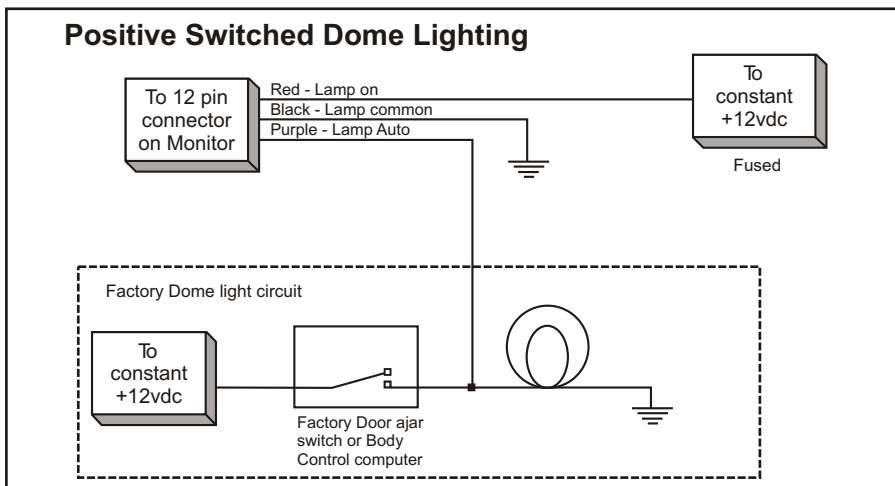
On a positive switched system, with all the doors closed and the lights out, both wires at the dome light will rest at ground. When the light is activated, one of these wires will switch to +12 vdc. This is the vehicle's switching wire.

On a negative switched system, with all the doors closed and the lights out, both wires at the dome light will rest at + 12vdc. When the light is activated, one of these wires will switch to ground. This is the vehicle's switching wire.

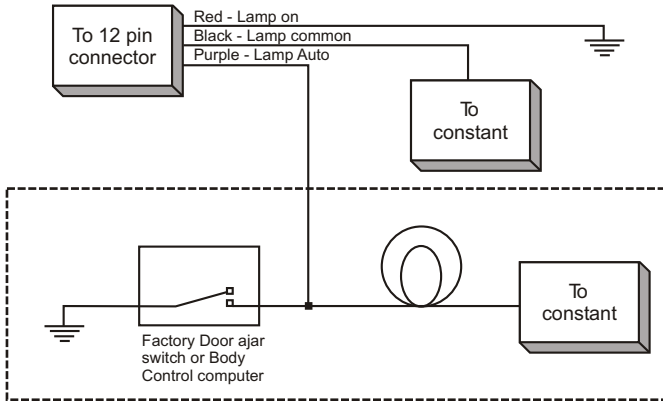
For positive systems, connect the violet / brown (Lamp auto) wire to the vehicle's switched wire. Then connect the red / black (lamp on) wire to a fused constant 12 volt source and the black / red (lamp common) wire to a good ground. Positive systems are commonly found on Ford vehicles.

For negative systems, connect the violet / brown (Lamp auto) wire to the vehicle's switched wire. Then connect the red / black (lamp on) wire to a good ground and the black / red (lamp common) wire to fused constant 12 volt source. Negative systems are commonly found on General Motors and import vehicles.

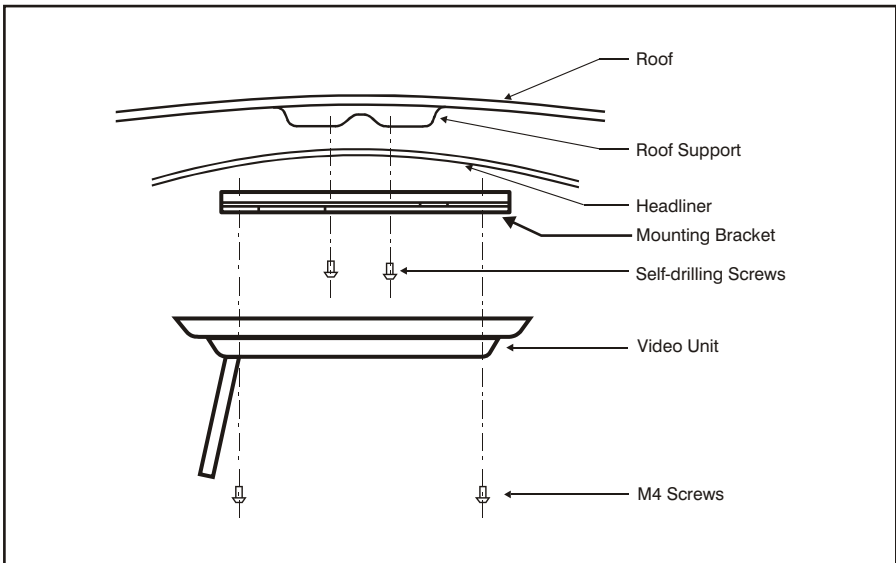
Note: Some vehicles which incorporate transistorized control of the dome light circuit, such as the 1999 Dodge Caravan, may require that the violet / brown (Lamp auto) wire be connected to the door pin switch wire, as the additional current draw of the monitor's lights may not be supported by the output of the vehicles body control computer.



Negative Switched Dome Lighting

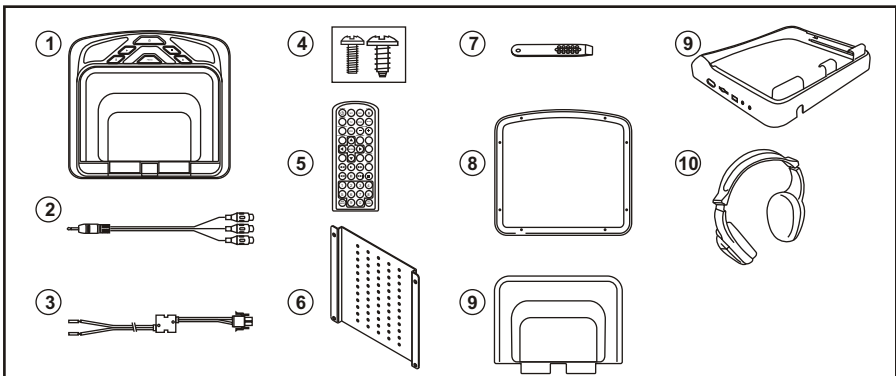


MOUNTING THE TRIM RING



MATERIALS INCLUDED IN THIS PACKAGE:

- | | |
|--|----------|
| 1) 9", 10.2 TFT LCD Overhead Monitor With DVD Player | - (1pc) |
| 2) AUX Pigtail | - (1pc) |
| 3) 2 Pin Power Wire Harness With Choke | - (1pc) |
| 4) Hardware Package | |
| Screws ISO M4 x 8mm Long | - (4pcs) |
| #8 x 3/8" Self Drilling Screws | - (4pcs) |
| 5) Remote Control | - (1pc) |
| 6) Universal Mounting Bracket | - (1pc) |
| 7) Pry Tool | - (1pc) |
| 8) Trim Ring - Shale | - (1pc) |
| - Pewter | - (1pc) |
| 9) Snap On Cover (Screen Back) - Shale | - (1pc) |
| - Pewter | - (1pc) |
| 10) Snap On Cover (Shroud) - Shale | - (1pc) |
| - Pewter | - (1pc) |
| 11) Wireless Headphones | - (2pcs) |



TOOLS REQUIRED:

- #2 Phillips Screwdriver
- #1 Phillips Screwdriver
- Utility or Razor Knife or Shears
- Wire Strippers
- Upholstery hook tool (for removal of panels as necessary)
- Electrical Tape
- Masking Tape
- Multimeter (to verify 12 volt DC and continuity: Do not use a test light or logic probe)
- Marker pen – to mark headliner
- Scribe (to mark trim ring if used)
- Misc. electrical connectors (to connect to vehicle power source). Requirements will vary from vehicle to vehicle)
- DVD Movie (to verify system operation after installation)

