

MODEL: JSD00901OHD

CUSTOMER: ACTION INDUSTRIES (M) SDN. BHD.

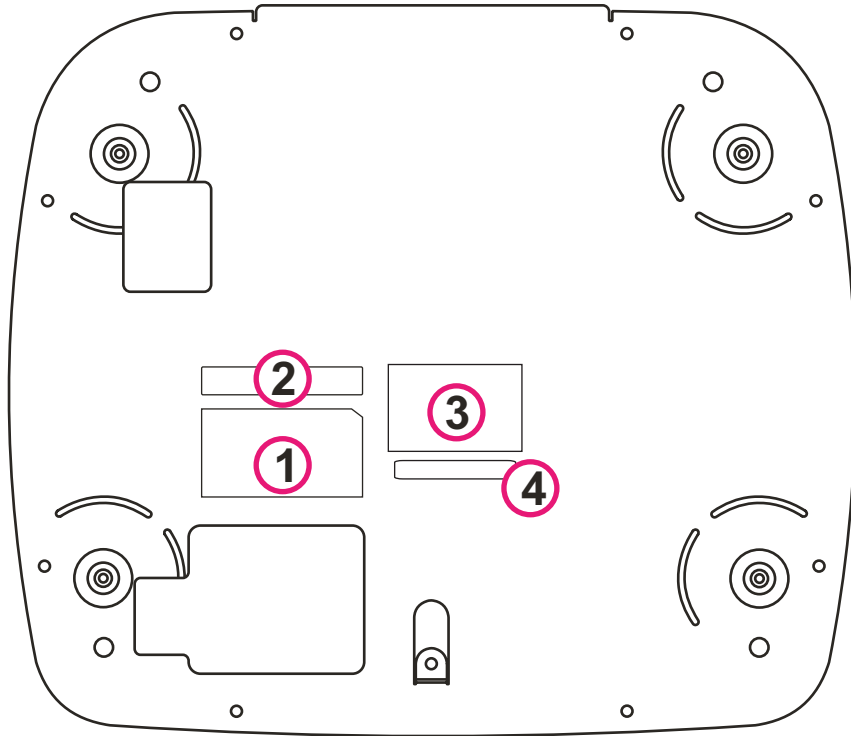
DATE: 17/03/2011

DESCRIPTION: LABEL LOCATION ON UNIT

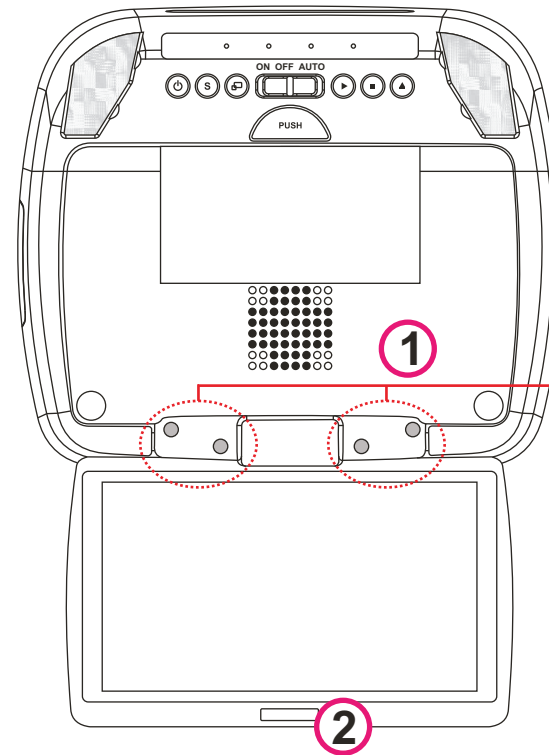
REVISION: 0

PAGE: 2 OF: 7

UNIT (BACK VIEW)



UNIT (FRONT VIEW)



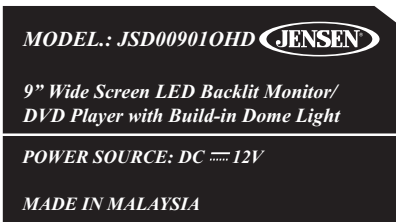
1. HOLE PLATE (Beige Color)

Dimension : Ø 7mm

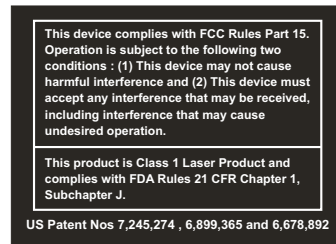
2. LOGO PLATE (32 x 6.5mm)



1. MODEL PLATE (53 x 29mm)



3. FCC / FDA + PATENT LABEL



2. SERIAL NUMBER

S/No.: JSD00901OHD00110300001

4. FCC ID LABEL

FCC ID : AT19R3ODM10907