

Exhibit A..... Technical Report, Diagram

Applicant Name And Address

Their full name and mailing address is given below:

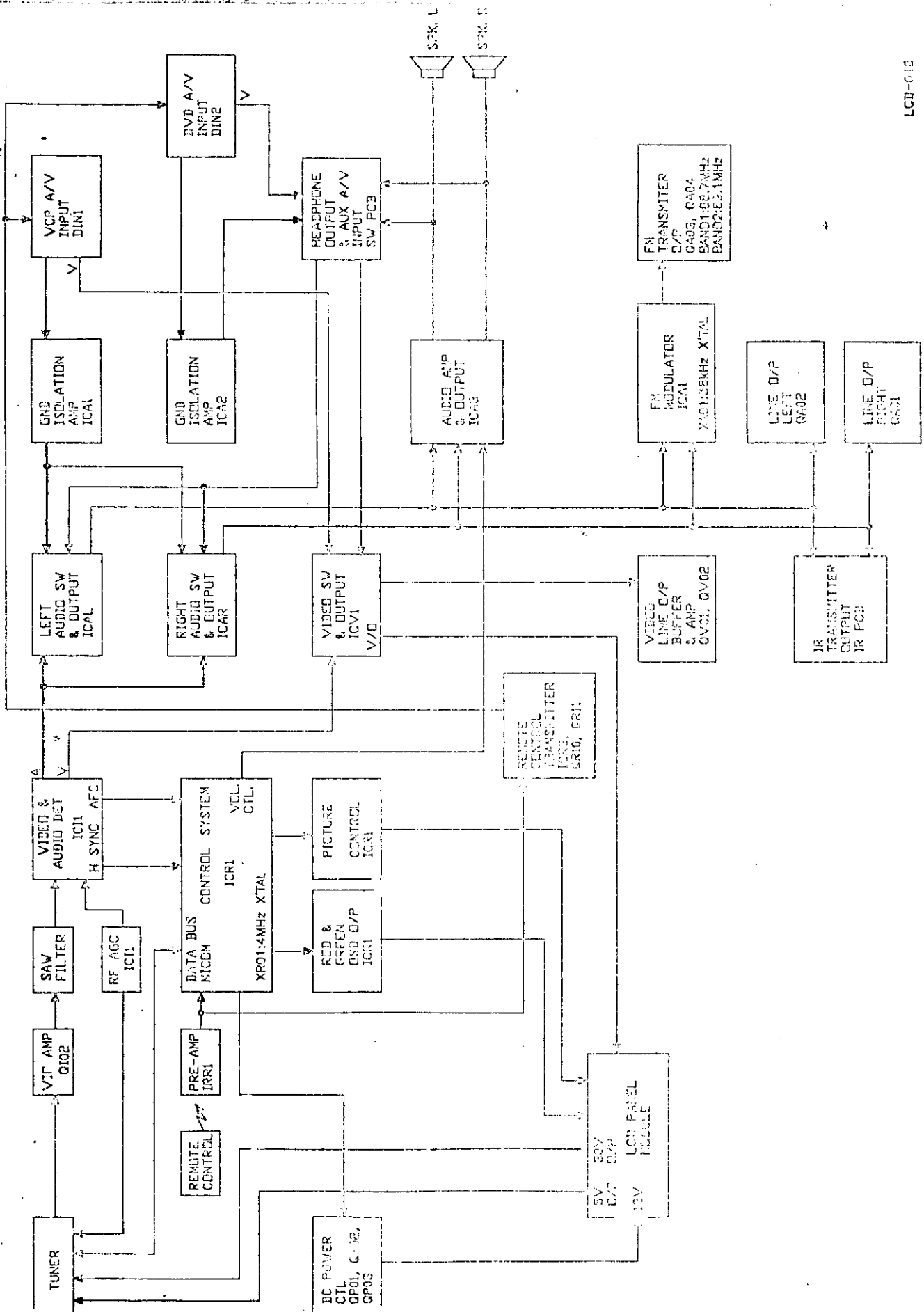
Name: ACTION ELECTRONICS CO., LTD.

***Address: 29, TUNG YUAN ROAD, CHUNG LI IND. ZONE,
CHUNG LI, TAIWAN, R.O.C.***

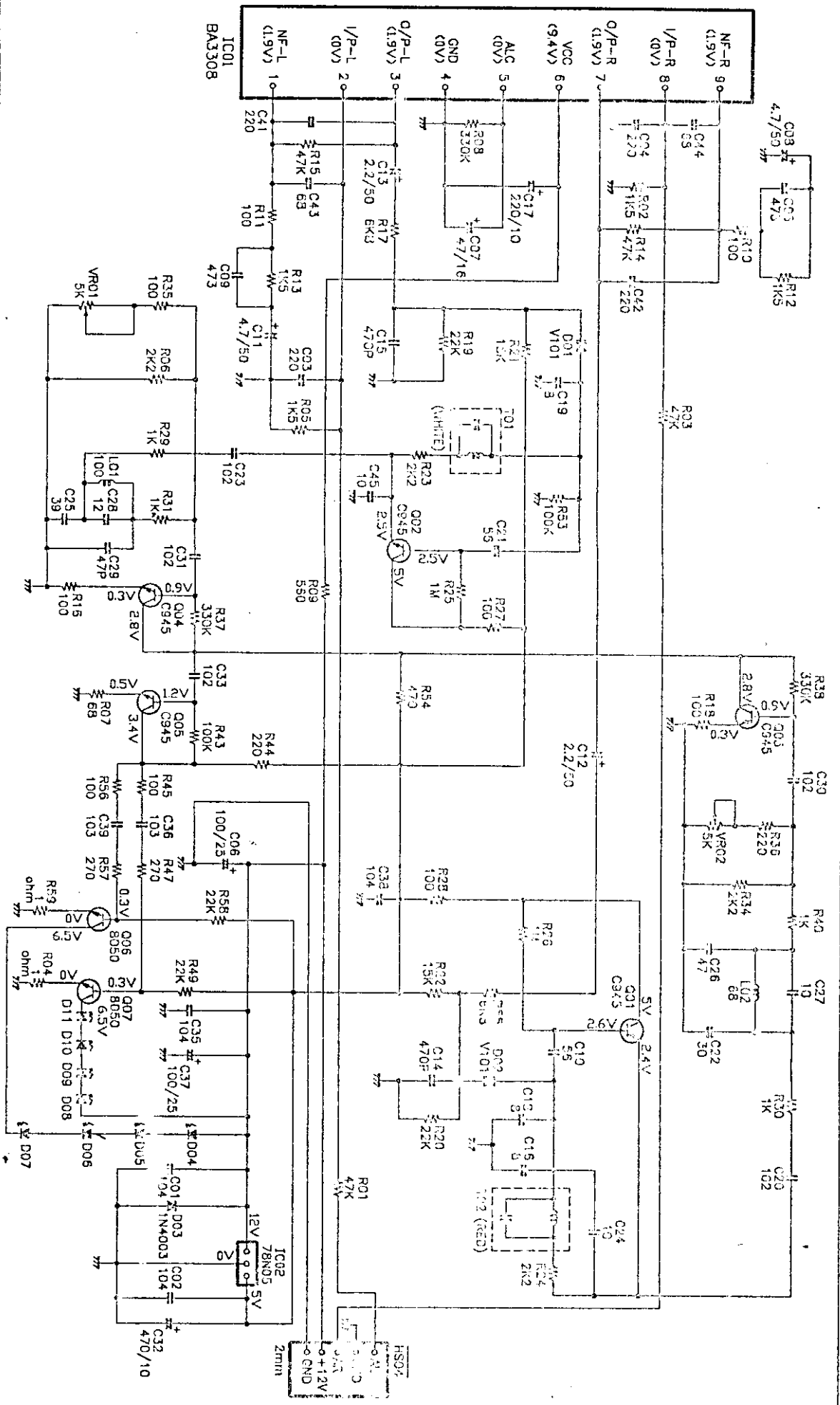
Model No.: LCD-648/LCC-648/VOH-642/VOH641

Brand Name: ACTION, AUDIOVOX

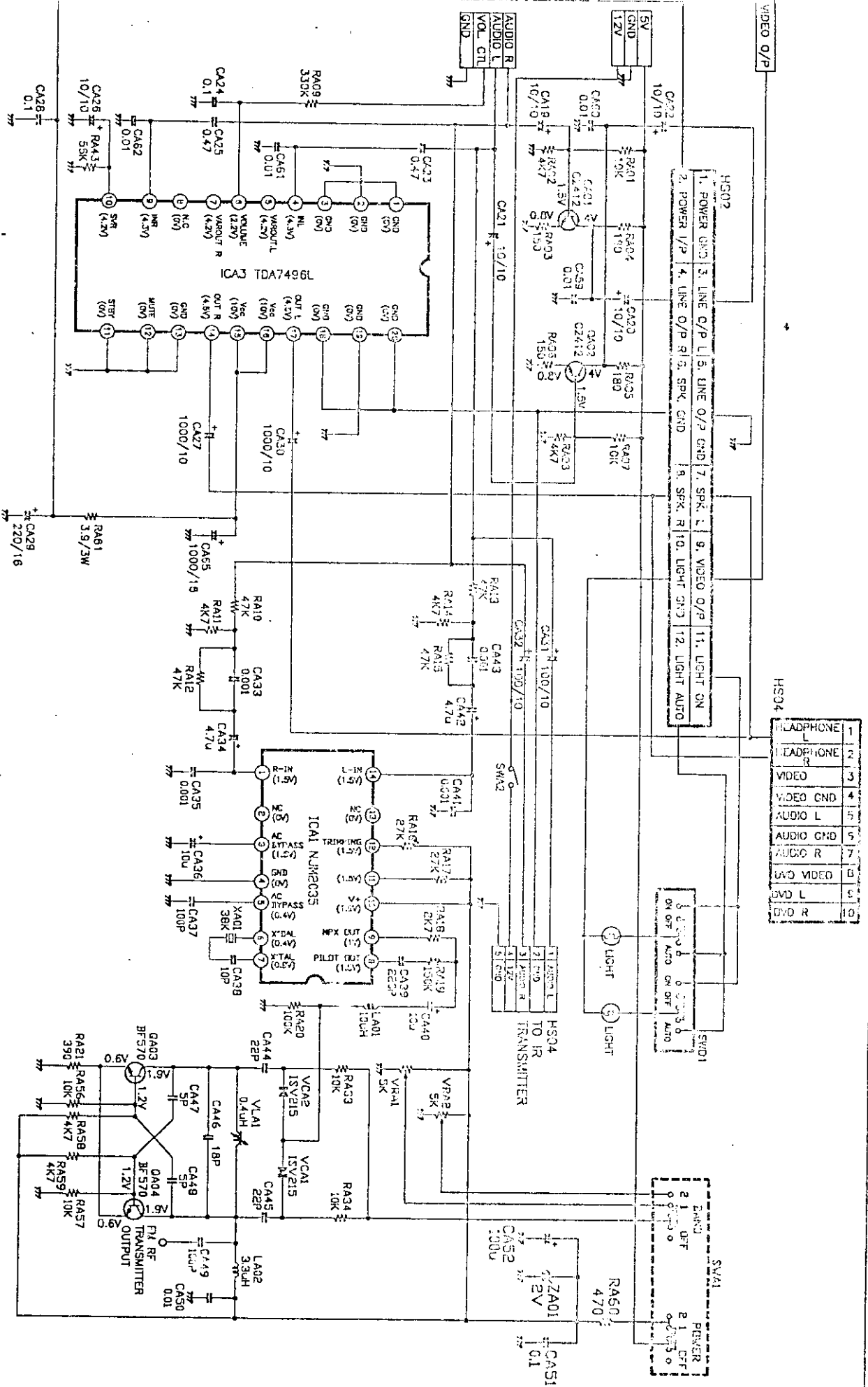
SECTION 3. BLOCK DIAGRAM



LCD-010



REVISED		MOD RECORD	ACTION ELECTRONICS CO., LTD.	
REV. 0	1399/01/06		凌宇电子有限公司	
REV. 1			TITLE: LCD-648 I/R SCHEMATIC DIAGRAM	
REV. 2			DRAWER	DESIGN
REV. 3			APPROVED	APPROVED
REV. 4			DRAWING NO	05-X1-1003
			REV.	0
			SH3	



VIDEO O/P

1. POWER GND	3. LINE O/P	5. LINE O/P	7. SPK. L	9. VIDEO O/P	11. LIGHT ON
2. POWER I/P	4. LINE O/P	6. SPK. GND	8. SPK. R	10. LIGHT GND	12. LIGHT AUTO

HSQ4

HEADPHONE L	1
HEADPHONE R	2
VIDEO	3
VIDEO GND	4
AUDIO L	5
AUDIO GND	6
AUDIO R	7
VIDEO VIDEO	8
VIDEO L	9
VIDEO R	10

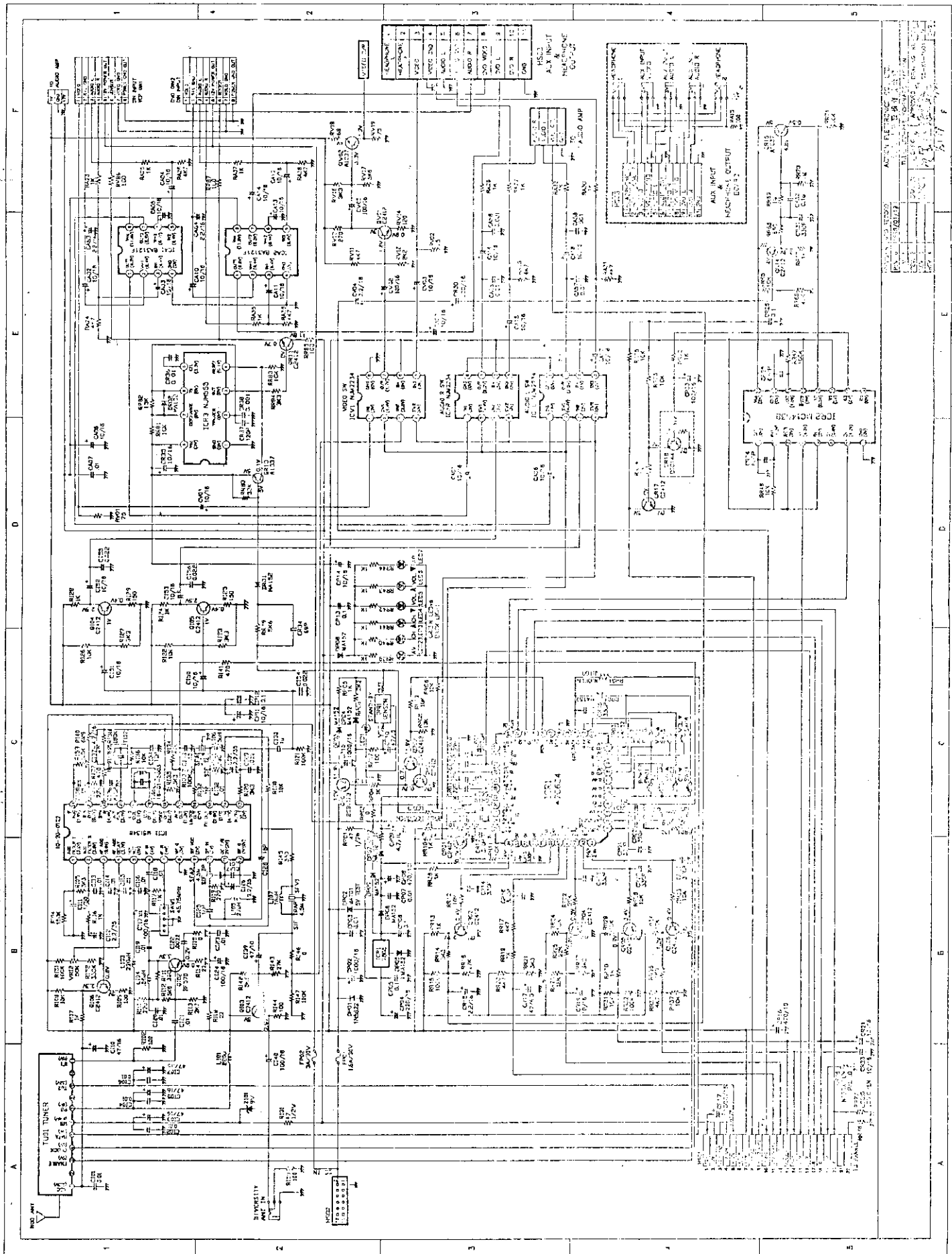
REVISION	MOD RECORD
REV. 0	1998/12/23
REV. 1	
REV. 2	
REV. 3	
REV. 4	

TITLE: LCD-648 AMP & FM TRANSMITTER SCHEMATIC DIAGRAM

ACTION ELECTRONICS CO., LTD.
 德發電子股份有限公司

DRAWER: 謝文晴
 DESIGN: 黃寶隆
 APPROVED: 張文晴

DRAWING NO. 05-X1-1004
 REV. 0
 SH3



Part No.	Description
100-1001	100-1001
100-1002	100-1002
100-1003	100-1003
100-1004	100-1004
100-1005	100-1005
100-1006	100-1006
100-1007	100-1007
100-1008	100-1008
100-1009	100-1009
100-1010	100-1010
100-1011	100-1011
100-1012	100-1012
100-1013	100-1013
100-1014	100-1014
100-1015	100-1015
100-1016	100-1016
100-1017	100-1017
100-1018	100-1018
100-1019	100-1019
100-1020	100-1020
100-1021	100-1021
100-1022	100-1022
100-1023	100-1023
100-1024	100-1024
100-1025	100-1025
100-1026	100-1026
100-1027	100-1027
100-1028	100-1028
100-1029	100-1029
100-1030	100-1030
100-1031	100-1031
100-1032	100-1032
100-1033	100-1033
100-1034	100-1034
100-1035	100-1035
100-1036	100-1036
100-1037	100-1037
100-1038	100-1038
100-1039	100-1039
100-1040	100-1040
100-1041	100-1041
100-1042	100-1042
100-1043	100-1043
100-1044	100-1044
100-1045	100-1045
100-1046	100-1046
100-1047	100-1047
100-1048	100-1048
100-1049	100-1049
100-1050	100-1050

Part No.	Description
100-1051	100-1051
100-1052	100-1052
100-1053	100-1053
100-1054	100-1054
100-1055	100-1055
100-1056	100-1056
100-1057	100-1057
100-1058	100-1058
100-1059	100-1059
100-1060	100-1060
100-1061	100-1061
100-1062	100-1062
100-1063	100-1063
100-1064	100-1064
100-1065	100-1065
100-1066	100-1066
100-1067	100-1067
100-1068	100-1068
100-1069	100-1069
100-1070	100-1070
100-1071	100-1071
100-1072	100-1072
100-1073	100-1073
100-1074	100-1074
100-1075	100-1075
100-1076	100-1076
100-1077	100-1077
100-1078	100-1078
100-1079	100-1079
100-1080	100-1080
100-1081	100-1081
100-1082	100-1082
100-1083	100-1083
100-1084	100-1084
100-1085	100-1085
100-1086	100-1086
100-1087	100-1087
100-1088	100-1088
100-1089	100-1089
100-1090	100-1090
100-1091	100-1091
100-1092	100-1092
100-1093	100-1093
100-1094	100-1094
100-1095	100-1095
100-1096	100-1096
100-1097	100-1097
100-1098	100-1098
100-1099	100-1099
100-1100	100-1100

Part No.	Description
100-1101	100-1101
100-1102	100-1102
100-1103	100-1103
100-1104	100-1104
100-1105	100-1105
100-1106	100-1106
100-1107	100-1107
100-1108	100-1108
100-1109	100-1109
100-1110	100-1110
100-1111	100-1111
100-1112	100-1112
100-1113	100-1113
100-1114	100-1114
100-1115	100-1115
100-1116	100-1116
100-1117	100-1117
100-1118	100-1118
100-1119	100-1119
100-1120	100-1120
100-1121	100-1121
100-1122	100-1122
100-1123	100-1123
100-1124	100-1124
100-1125	100-1125
100-1126	100-1126
100-1127	100-1127
100-1128	100-1128
100-1129	100-1129
100-1130	100-1130
100-1131	100-1131
100-1132	100-1132
100-1133	100-1133
100-1134	100-1134
100-1135	100-1135
100-1136	100-1136
100-1137	100-1137
100-1138	100-1138
100-1139	100-1139
100-1140	100-1140
100-1141	100-1141
100-1142	100-1142
100-1143	100-1143
100-1144	100-1144
100-1145	100-1145
100-1146	100-1146
100-1147	100-1147
100-1148	100-1148
100-1149	100-1149
100-1150	100-1150

Part No.	Description
100-1151	100-1151
100-1152	100-1152
100-1153	100-1153
100-1154	100-1154
100-1155	100-1155
100-1156	100-1156
100-1157	100-1157
100-1158	100-1158
100-1159	100-1159
100-1160	100-1160
100-1161	100-1161
100-1162	100-1162
100-1163	100-1163
100-1164	100-1164
100-1165	100-1165
100-1166	100-1166
100-1167	100-1167
100-1168	100-1168
100-1169	100-1169
100-1170	100-1170
100-1171	100-1171
100-1172	100-1172
100-1173	100-1173
100-1174	100-1174
100-1175	100-1175
100-1176	100-1176
100-1177	100-1177
100-1178	100-1178
100-1179	100-1179
100-1180	100-1180
100-1181	100-1181
100-1182	100-1182
100-1183	100-1183
100-1184	100-1184
100-1185	100-1185
100-1186	100-1186
100-1187	100-1187
100-1188	100-1188
100-1189	100-1189
100-1190	100-1190
100-1191	100-1191
100-1192	100-1192
100-1193	100-1193
100-1194	100-1194
100-1195	100-1195
100-1196	100-1196
100-1197	100-1197
100-1198	100-1198
100-1199	100-1199
100-1200	100-1200

Part No.	Description
100-1201	100-1201
100-1202	100-1202
100-1203	100-1203
100-1204	100-1204
100-1205	100-1205
100-1206	100-1206
100-1207	100-1207
100-1208	100-1208
100-1209	100-1209
100-1210	100-1210
100-1211	100-1211
100-1212	100-1212
100-1213	100-1213
100-1214	100-1214
100-1215	100-1215
100-1216	100-1216
100-1217	100-1217
100-1218	100-1218
100-1219	100-1219
100-1220	100-1220
100-1221	100-1221
100-1222	100-1222
100-1223	100-1223
100-1224	100-1224
100-1225	100-1225
100-1226	100-1226
100-1227	100-1227
100-1228	100-1228
100-1229	100-1229
100-1230	100-1230
100-1231	100-1231
100-1232	100-1232
100-1233	100-1233
100-1234	100-1234
100-1235	100-1235
100-1236	100-1236
100-1237	100-1237
100-1238	100-1238
100-1239	100-1239
100-1240	100-1240