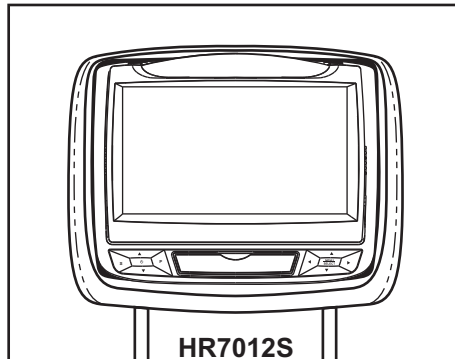
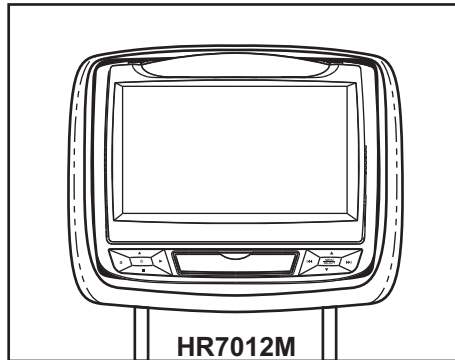


HR7012M / HR7012S

Custom Vehicle Headrests
with 7" Slim Style LED LCD Satellite Monitors
or Built-in
DVD Player for Rear Entertainment



Installation Guide

IMPORTANT NOTICE

Installation of headrest products require careful planning and preparation. Be extremely careful of seats that have airbags built into them. Keep wiring away from any air bag wiring (usually identified by yellow connectors and yellow wire jackets). Damage to air bag wiring can result in personal injury to vehicle occupants. If you have any questions regarding wire routing or installation in a vehicle, please contact Audiovox Technical Support at 1-800-225-6074.

When connecting power and ground in a mobile video installation, insure that the ACC wire is fused at the point where it is connected to the vehicle ACC wiring. Failure to do so can result in damage to the vehicle if a short circuit develops between the vehicle connection point and the mobile video product.

An LCD panel and/or video monitor may be installed in a motor vehicle and visible to the driver if the LCD panel or video monitor is used for vehicle information, system control, rear or side observation or navigation. If the LCD panel or video monitor is used for television reception, video or DVD play, the LCD panel or video monitor must be installed so that these features will only function when the vehicle is in "park" or when the vehicle's parking brake is applied.

An LCD panel or video monitor used for television reception, video or DVD play that operates when the vehicle is in gear or when the parking is not applied must be installed to the rear of the driver's seat where it will not be visible, directly or indirectly, to be operator of the motor vehicle.

Licensed under one or more of the following patents:
Patent NOS. 7,245,274, 6,899,365, and 6,678,892

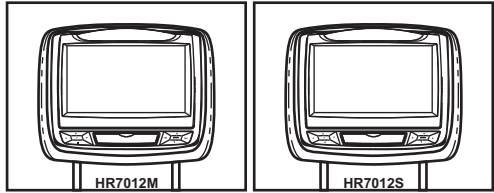
MATERIAL TO USE IN THIS PACKAGE:

1) HR7012 System Monitor (P/N HR7012M/HR7012S) (2 pcs)

Custom Vehicle Headrests with 7" Slim Style LED LCD Satellite Monitors or Built-in DVD Player for Rear Entertainment

Note: The HR7012M/HR7012S monitor has been designed to be interchangeable from one headrest to the other.

The wireless FMM Interface Box automatically determines which headrest is M1 and which headrest is M2 and sets each headrest to its own function (IR transmitter channel and IR receiver remote control codes).

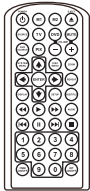


The headrests will still have the Red/Green (MH1 & MH2) and Blue/Yellow (SH1 & SH2) DIN cables on them and should be connected to their respective connectors.

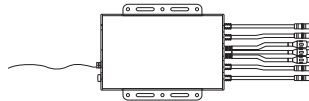
2) HR7012PKG Accessories Package (P/N HR7012K) (1 pc)

The Accessories Package contains the following items:

- a) Remote Control with Wireless Game Controller (P/N 136-5236) - (2pcs)



- d) Wireless FMM Interface Box (P/N 136-5237) - (1pc)



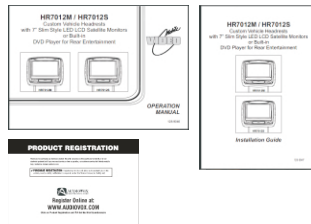
- b) 2 Pin DC Power Cable (P/N 112-3667) - (1pc)



- c) 12 Pin AV Adapter Cable (P/N 112-4094) - (1pc)



- e) Document Kit



Note: The Document kit is packaged with the Owner's Manual (P/N 128-9046) - (1pc), Installation Guide (P/N 128-9047) - (1pc), and Product Registration Card (132-6751) - (1pc).

2) HR7012GP Game Module Package (P/N HR7012GP) (1 pc) OPTIONAL

The Game Module Package contains the following items:

- a) Game Controller P1
(P/N 136-5239) - (1pc)



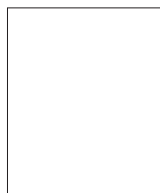
- c) Game Module
(P/N 136-5238) - (1pc)



- b) Game Controller P2
(P/N 136-5240) - (1pc)



- d) Game Module Manual
(P/N 128-9048) - (1pc)



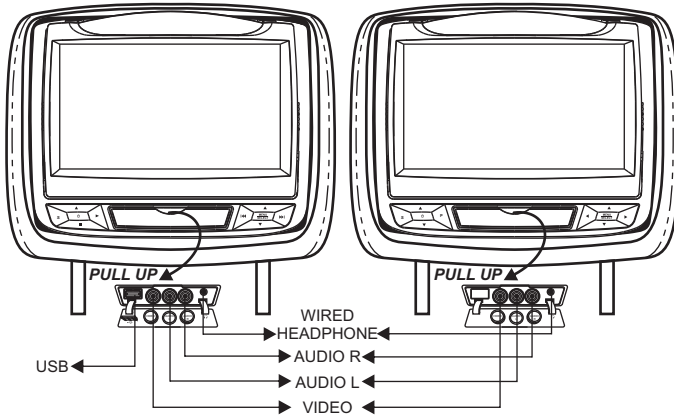
Note: The HR7012GP Game Package is the optional accessories package. For user to upgrade with the wireless game source feature.

HR7012 SYSTEM OVERVIEW

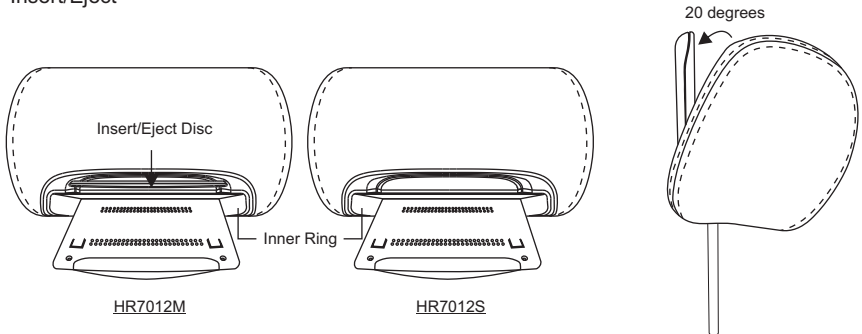
- 1) The HR7012 is a versatile audio / video system with built-in DVD (HR7012M only) which includes two monitors, that can accept an Audio / Video input and independent AUX input. A separate audio output is provided for connecting the FM Modulator to the vehicle's radio.
- 2) The HR7012M/HR7012S Monitor is comprised of a 7" slime style LED LCD satellite monitor or with built-in DVD player that allows the user to select from HR7012M: DVD/USB > M1or M2 > AV > AUX > MEDIA > GAME(optional) / HR7012S: M1or M2 > AV > AUX > GAME(optional). The HR7012M/HR7012S monitor has a built-in infrared audio transmitter (CH A) for use with the optional two-channel wireless headphones (CH A). The HR7012M/HR7012S monitor also has the ability to select either audio source for output to the FM Modulator to allow audio playback through the vehicle radio.
- 3) The HR7012M/HR7012S monitor is comprised of a 7" slime style LED LCD satellite monitor or with built-in DVD player that allows the user to select from HR7012M: DVD/USB > M1or M2 > AV > AUX > MEDIA > GAME(optional) / HR7012S: M1or M2 > AV > AUX > GAME(optional). The HR7012M/HR7012S monitor has a built-in infrared audio transmitter (CH B) for use with the optional two channel wireless headphones (CH B).
- 4) The monitors will show all of the functions with the comprehensive OSD.
- 5) The optional two-channel wireless Headphone sets have an A-B switch that allow the users to select the audio from either the HR7012M/HR7012S (CH A) or the HR7012M/HR7012S (CH B).
- 6) The optional wired headphone that allow the user to listen audio from the system.
- 7) The HR7012M and HR7012S Monitor will accept an audio / video input through the 1/8" jack located on the front of the unit. The audio / video device could be a video game system, video camera, or other input device.
- 8) The optional HR7012GP game package is allow the user to playing the wireless game from the system.

HR7012M

HR7012S



9) Insert/Eject



VEHICLE PREPARATION

- 1) Read the manuals and get familiar with the electrical requirements and connections.
- 2) Prepare the vehicle by removing any interior trim necessary to gain access to the vehicle's wiring as well as all areas where interconnecting wire harnesses will be located. The mounting method and the location will vary from vehicle to vehicle, so this manual will only focus on the installation of the Master and Satellite Monitors in the supplied configuration. The best location for the HR7012M/HR7012S System components are:
 - a. Monitors: Vehicle-specific Headrest
Note: The Master Monitor should be installed in the passenger position most used.
 - b. Wireless FM Interface Box: Under either seat where monitors are located.
- 3) Locate an accessory power source (+12 VDC should be present when the ignition key is in the accessory and run positions. 0 VDC should be present when the ignition key is in the OFF position) and a good ground. Generally, these wires can be located at the ignition switch or fusebox.
Note: Ensure that the switched power is fused at the source. Failure to do so may result in vehicle wiring damage.
- 4) Run the wiring harnesses throughout the vehicle as necessary. (Refer to the Wiring Diagrams , as well as the wiring instructions for the individual components and accessory options being installed). Be sure that all the wiring is protected from sharp edges and is routed in such a manner that it will not be pinched when it is fully installed. Be sure to leave enough slack in the wiring at each component to allow sufficient working room. Be sure to leave enough slack in the monitor cables to allow the headrest to move up or down, and the seat to move backward and forward.
- 5) Remove all the components from their packaging and then place them in the vehicle at their respective locations.
- 6) Install the Headrests:
 - a. Remove the vehicle's original Headrests.
 - b. Hold the Headrest above the seat and insert the two cables into the headrest support tube holes. Make sure that the headrest is in the correct position (Display facing the rear).
 - c. Route the cables through the seat back and out the bottom of the seat.
 - d. Place the Headrest support tubes into the support tube holes while pulling the cables to remove the slack. Be sure to leave enough slack in the monitor cables to allow the headrest to move up or down.

- 7) Connect all the components together (electrically) and verify proper operation of all the system functions.
 - a. The headrest DIN cables and the FMM Interface Box DIN cables are color coded. Connect each headrest cable to the correct color cable on the FMM Interface Box.
 - b. Extend the wireless FM antenna to its full length and orientate for best reception. Do not place it on the FMM Interface Box or near metal.
 - c. Connect the DC power jack.
- 8) After verifying the proper operation of the system, mount each component.
- 9) When all the components are mounted, recheck the entire system to be sure it is functioning correctly. Make sure that no wiring was pinched or connected improperly during the final installation.

Wireless FM Modulator

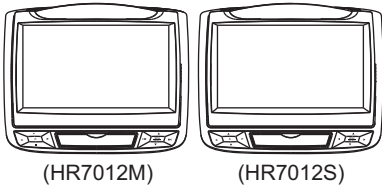
The HR7011PKG is equipped with a built-in wireless FM Modulator*, that allows you to listen to the DVD audio signal by tuning your vehicle's radio to the selected frequency, (88.1MHz, 88.3MHz, 88.5MHz, 88.7MHz, 88.9MHz, 89.1MHz, 89.3MHz, 89.5MHz, 89.7MHz, 89.9MHz, 90.1MHz, 90.3MHz, 90.5MHz, 90.7MHz, 90.9MHz, 91.1MHz, 91.3MHz, 91.5MHz, 91.7MHz, 91.9MHz, 92.1MHz, 92.3MHz, 92.5MHz, 92.7MHz, 92.9MHz, 93.1MHz, 93.3MHz, 93.5MHz, 93.7MHz, 93.9MHz, 94.1MHz, 94.3MHz, 94.5MHz, 94.7MHz, 94.9MHz, 95.1MHz, 95.3MHz, 95.5MHz, 95.7MHz, 95.9MHz, 96.1MHz, 96.3MHz, 96.5MHz, 96.7MHz, 96.9MHz, 97.1MHz, 97.3MHz, 97.5MHz, 97.7MHz, 97.9MHz, 98.1MHz, 98.3MHz, 98.5MHz, 98.7MHz, 98.9MHz, 99.1MHz, 99.3MHz, 99.5MHz, 99.7MHz, 99.9MHz, 100.1MHz, 100.3MHz, 100.5MHz, 100.7MHz, 100.9MHz, 101.1MHz, 101.3MHz, 101.5MHz, 101.7MHz, 101.9MHz, 102.1MHz, 102.3MHz, 102.5MHz, 102.7MHz, 102.9MHz, 103.1MHz, 103.3MHz, 103.5MHz, 103.7MHz, 103.9MHz, 104.1MHz, 104.3MHz, 104.5MHz, 104.7MHz, 104.9MHz, 105.1MHz, 105.3MHz, 105.5MHz, 105.7MHz, 105.9MHz, 106.1MHz, 106.3MHz, 106.5MHz, 106.7MHz, 106.9MHz, 107.1MHz, 107.3MHz, 107.5MHz, 107.7MHz, 107.9MHz). This feature is accessed by using the FM transmitter buttons on the remote (FMM ON/OFF). Whenever the FM Modulator is on, broadcast reception on the vehicle's radio will be poor. Switching off the FM Modulator will allow normal radio reception.

***Note:** In certain areas where there are a large number of FM radio stations (e.g. large cities, urban areas), the reception of the FM signal may not be satisfactory, resulting in static, distorted sound or signal bleed thru from strong local radio stations. This is not a defect in the product, but the result of a stronger local radio station overpowering the wireless FM transmitter in your overhead pod.

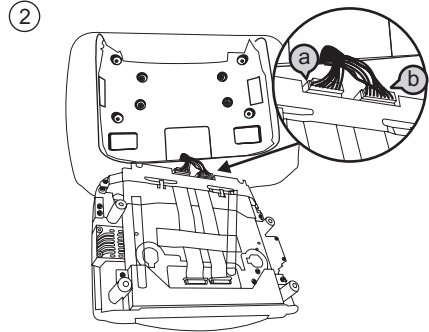
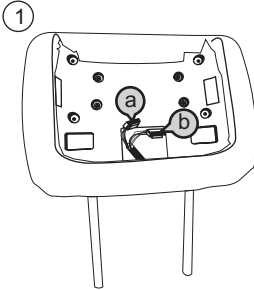
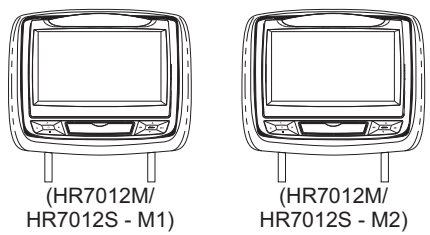
If wireless reception is unsatisfactory, an optional wired relay box (**Audiovox P/N SIRSWB**) can be installed which will improve audio quality. Please contact the installer if this is the case with your product.

ELECTRONICS INSTALLATION GUIDE

Monitor Unit

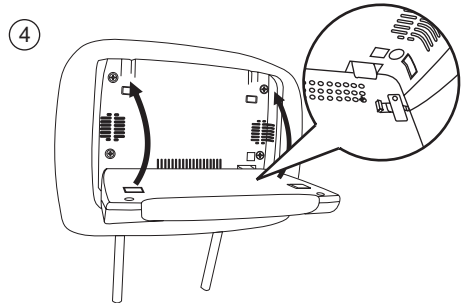
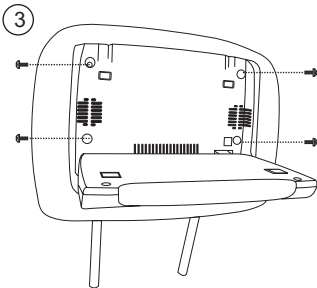


Install Monitor Unit to Headrest



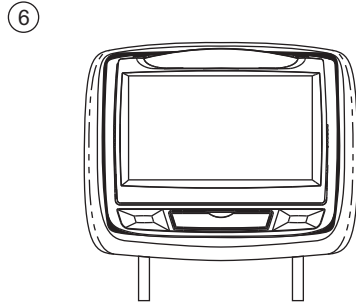
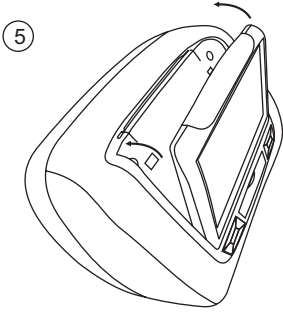
- a.) Master/Satellite monitor headrest cable (MH1/SH1) 8Pin Din Cable.
- b.) Master/Satellite monitor headrest cable (MH2/SH2) 9Pin Din Cable.

- a.) Match MH1/SH1 monitor cable to M1 headrest cable
- b.) Match MH2/SH2 monitor cable to M2 headrest cable



With Screw (x4)

Move the locking tab to right position to fully insert the monitor into the headrest

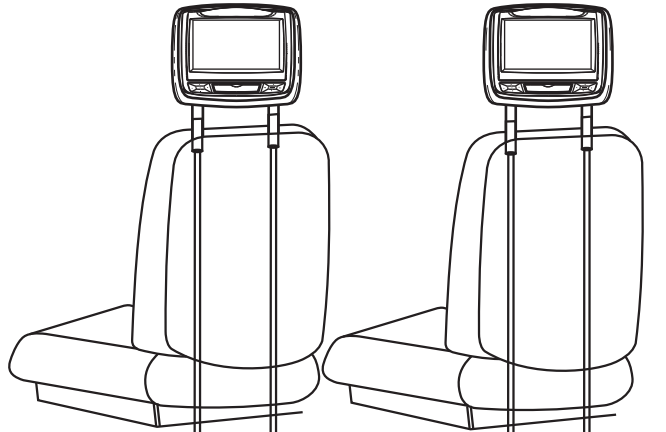


Note: Switch off the ACC power during cable and unit installation.
fail to do so may damage to the unit.

HR7012 SYSTEM WIRING DIAGRAM

HR7012M / HR7012S
Master Monitor

HR7012M / HR7012S
Satellite Monitor

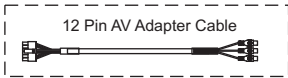


112-4208

112-4209

112-4210

112-4211

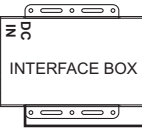


12 Pin AV Adapter Cable

2 PIN DC POWER CABLE

AV Input

FM ANTENNA



INTERFACE BOX

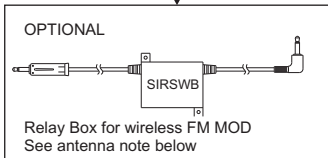
AV Output

GREEN

RED

BLUE

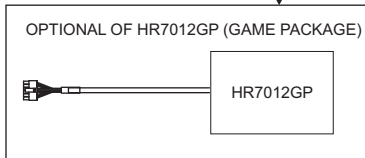
YELLOW



OPTIONAL

Relay Box

Relay Box for wireless FM MOD
See antenna note below



OPTIONAL OF HR7012GP (GAME PACKAGE)

HR7012GP

See the instructions supplied with the SIRSWB for installation.

