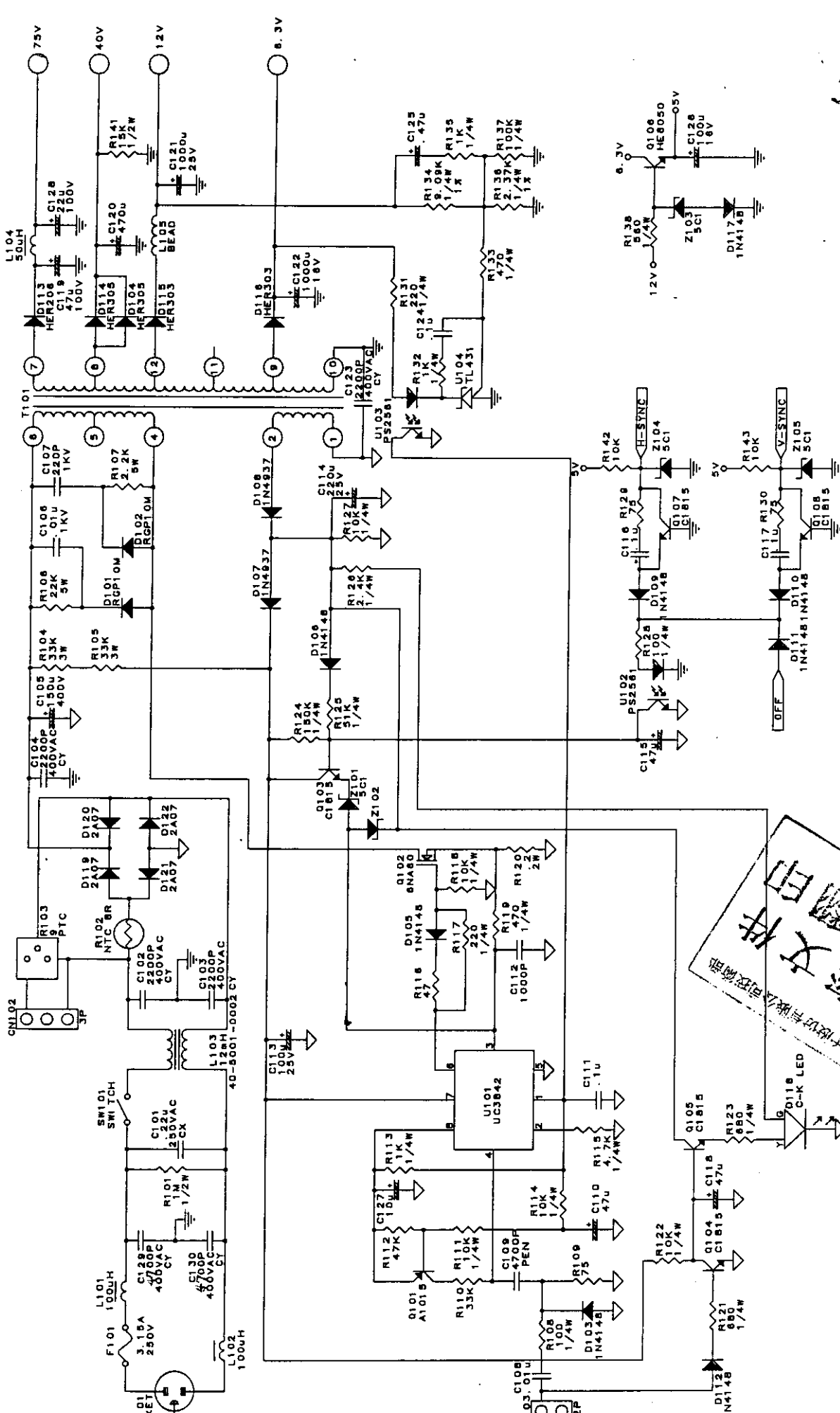


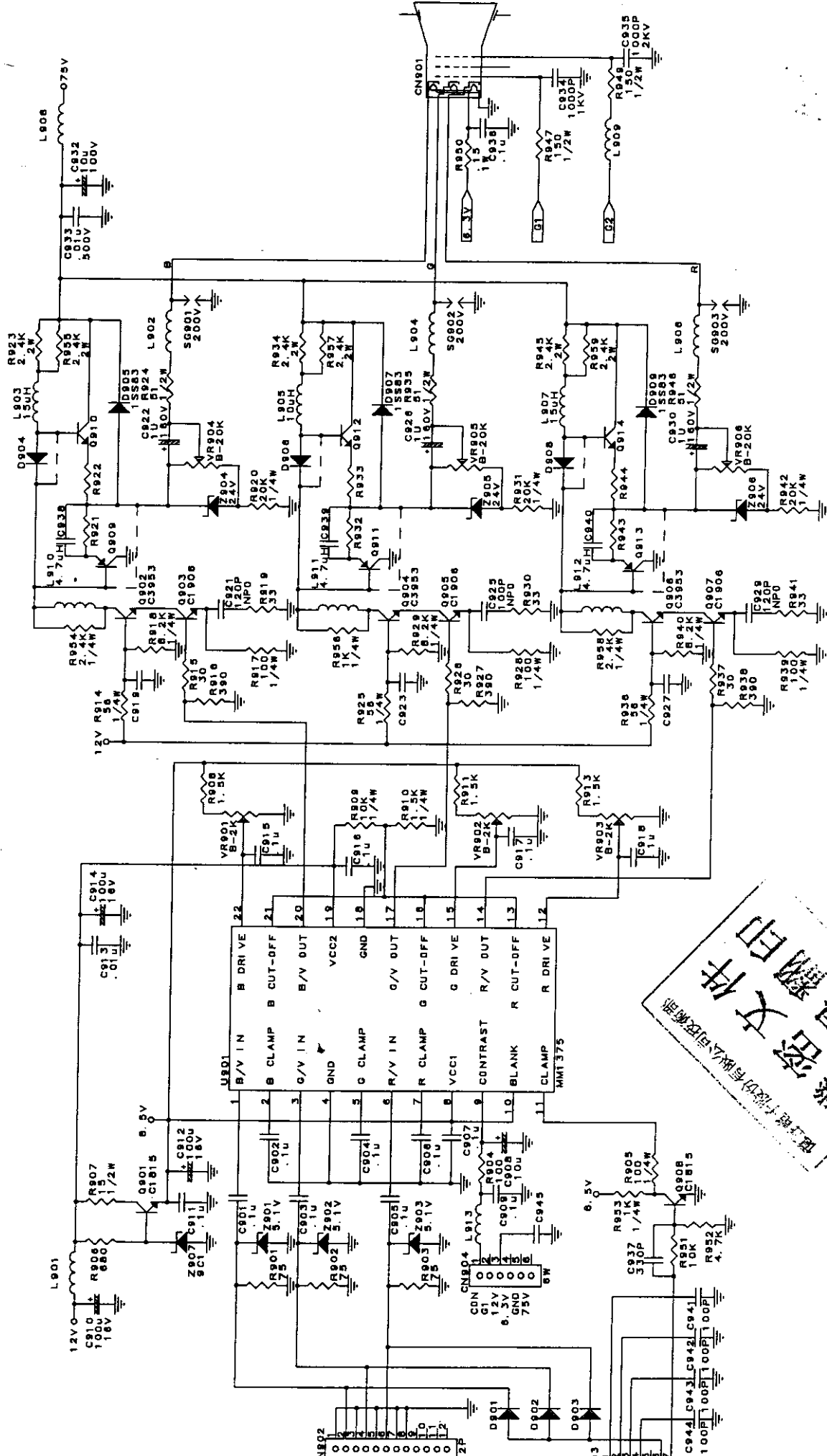
**EXHIBIT 6**

**BLOCK & SCHEMATIC DIAGRAM OF EUT**






機密文件  
 不得翻印  
 電子儀器有限公司 謹啟

APPROVED	CONFIRMED	DRAWING	ACTI ON ELECTRONI CS
87.9.1 羅新飛	87.9.1 張健傑	87.9.1 衛威弘	MODEL:CA-1570 / CX-1570
Title			MAIN / POWER
Size			Document Number
REV			A
Date:			AUGUST 25, 1998ISH-001

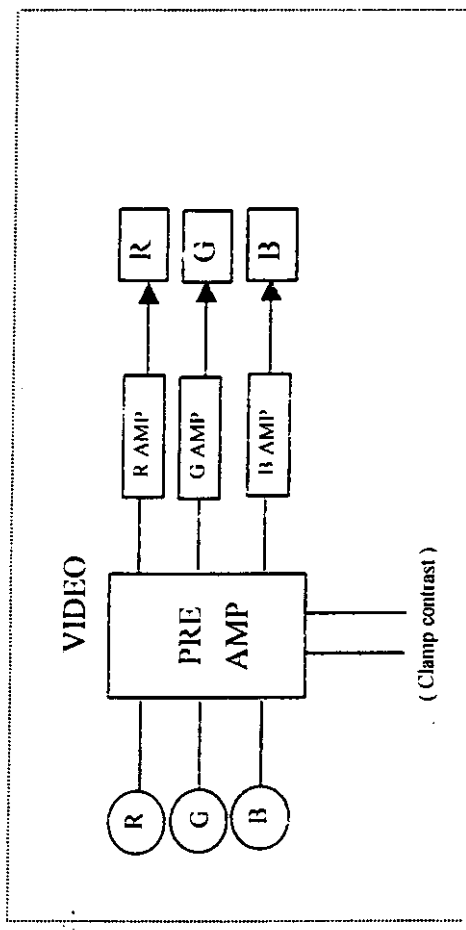
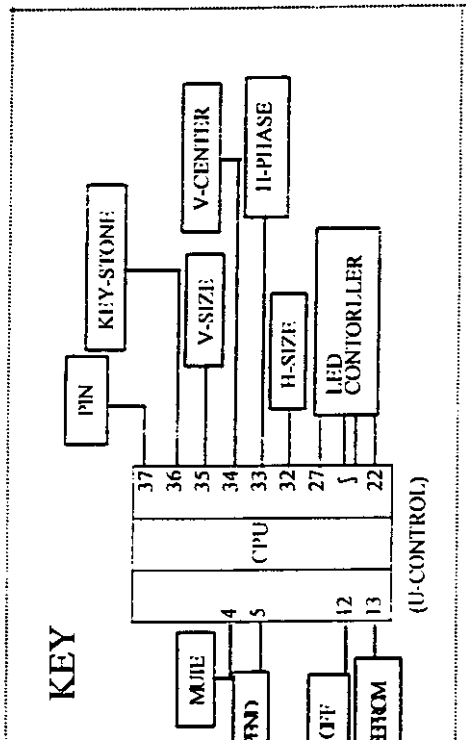


檔案文件 不得翻印  
 檔案文件 不得翻印  
 檔案文件 不得翻印

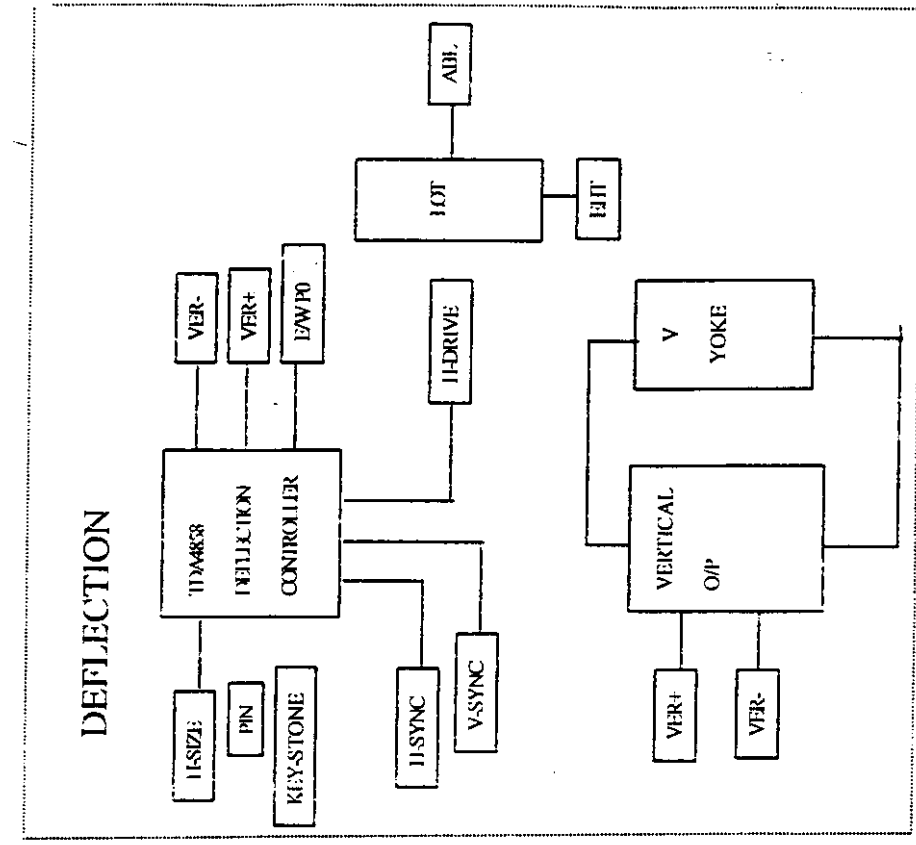
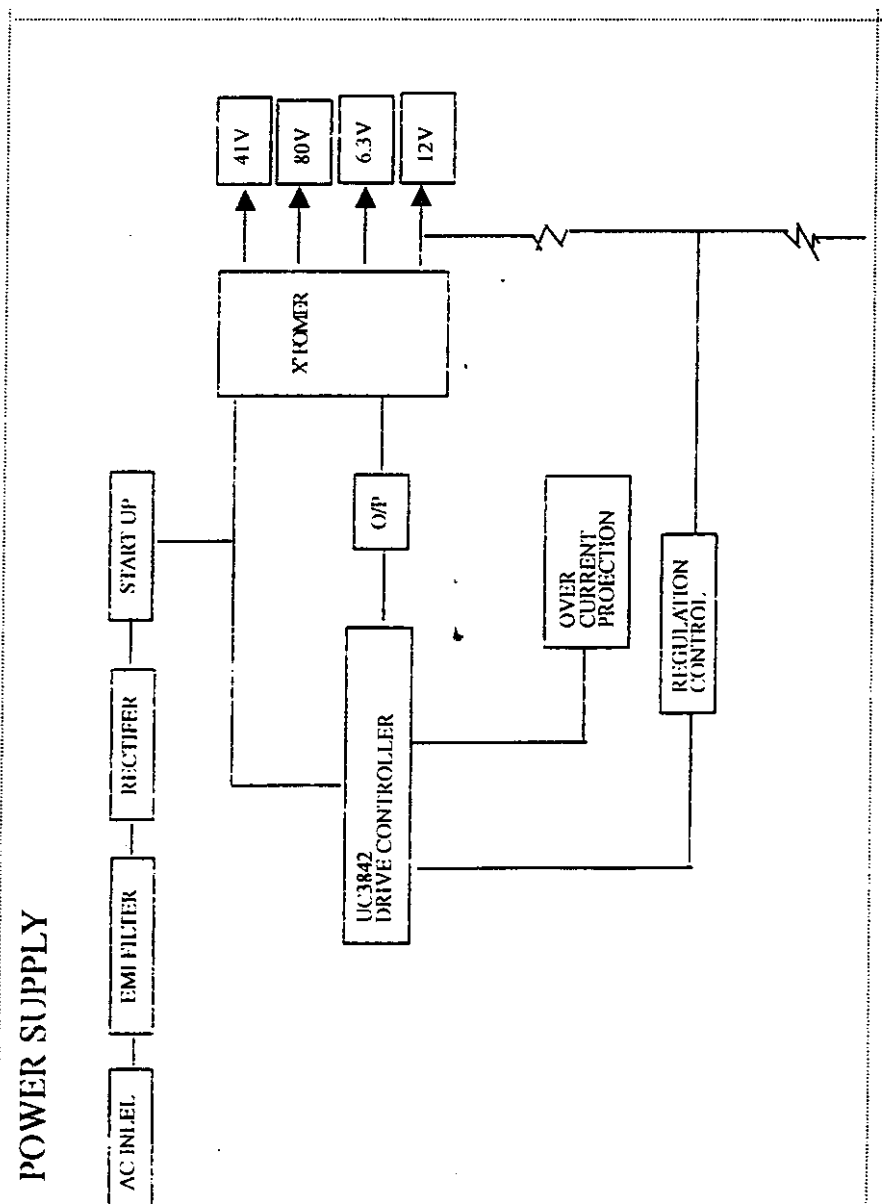
APPROVED	CONFIRMED	DRAWING	ACTI ON ELECTRONI CS
 87.9.1 羅新飛	 87.9.1 張健根	 87.9.1 南政弘	MODEL: CA-1454/CX-1454/SA-1570/CX-1570 Title CRT BOARD Size Document Number REV A

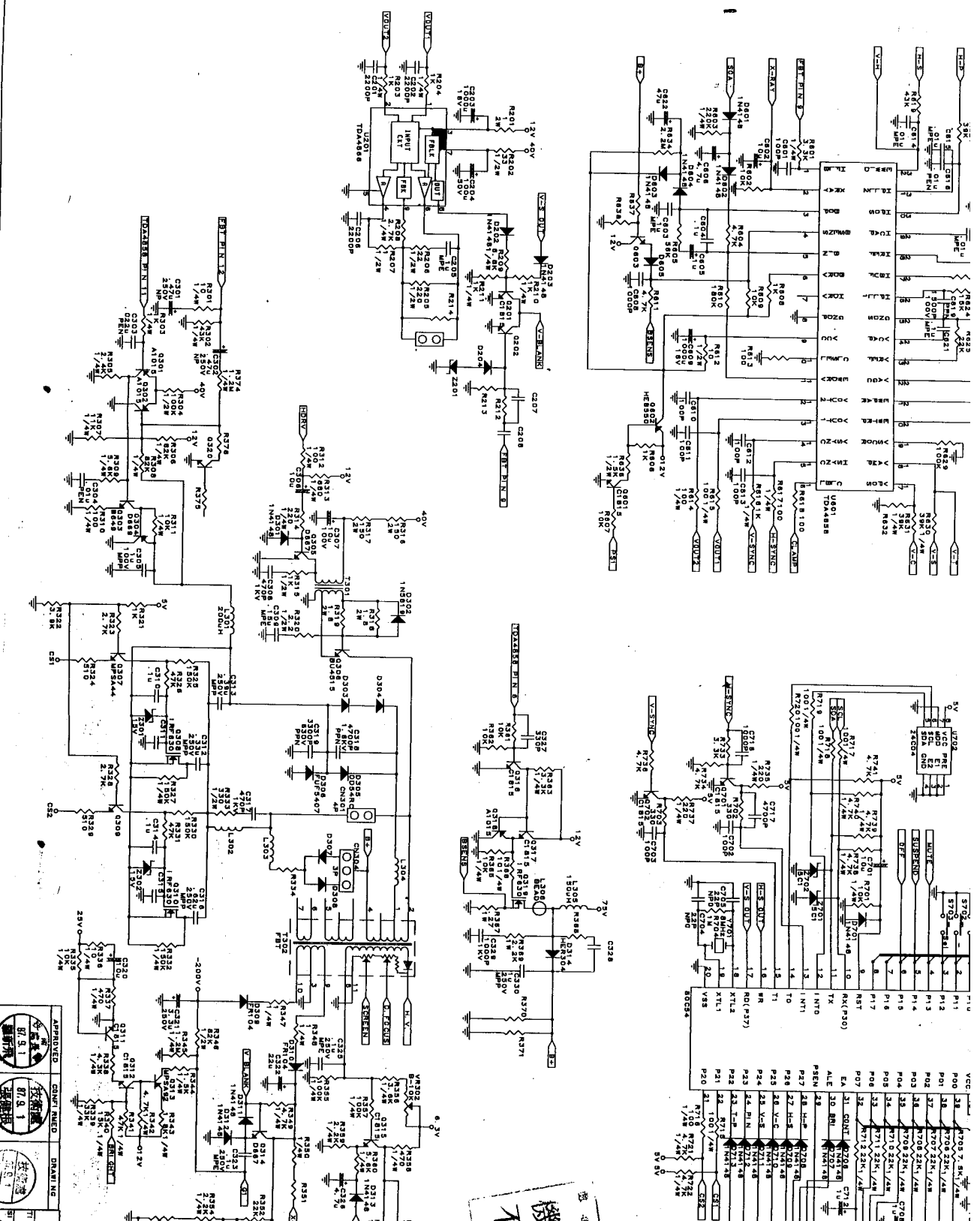
DATE: September 1, 1987 (kx.net)

1970



## POWER SUPPLY





APPROVED: DATE: 8/21/81  
 DESIGNED: DATE: 8/21/81  
 DRAWING: DATE: 8/21/81  
 ACT ON ELECTRON CS  
 MODEL: CA-1370 / CK-1370  
 MAIN / M/M CMO CONTROL  
 SITE: Procurement Number  
 APPROVAL: 31, 1, 88888881

FCC ID: A19A3CA-1570

15

機密文件  
 不得翻印