

V H F 5 0 2

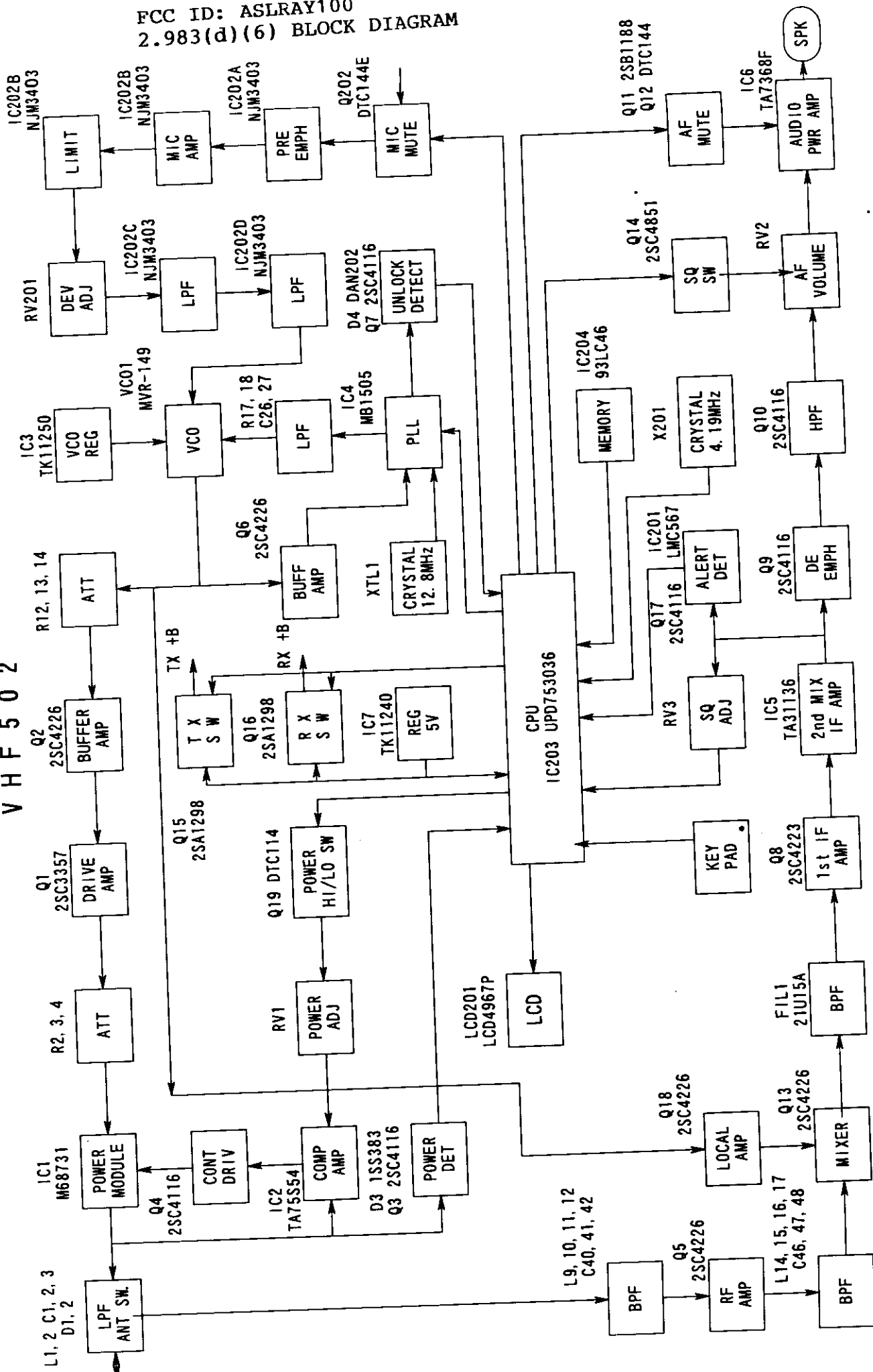


Fig. 4-1 BLOCK DIAGRAM