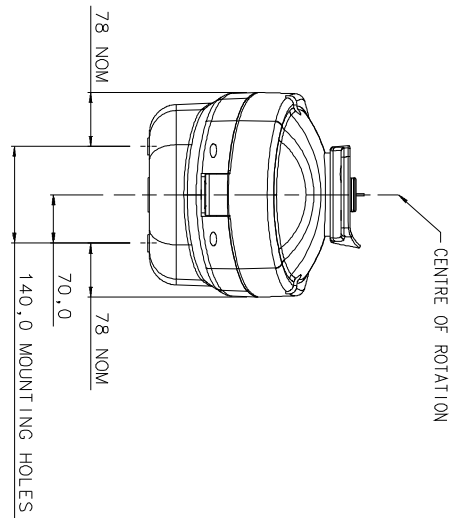
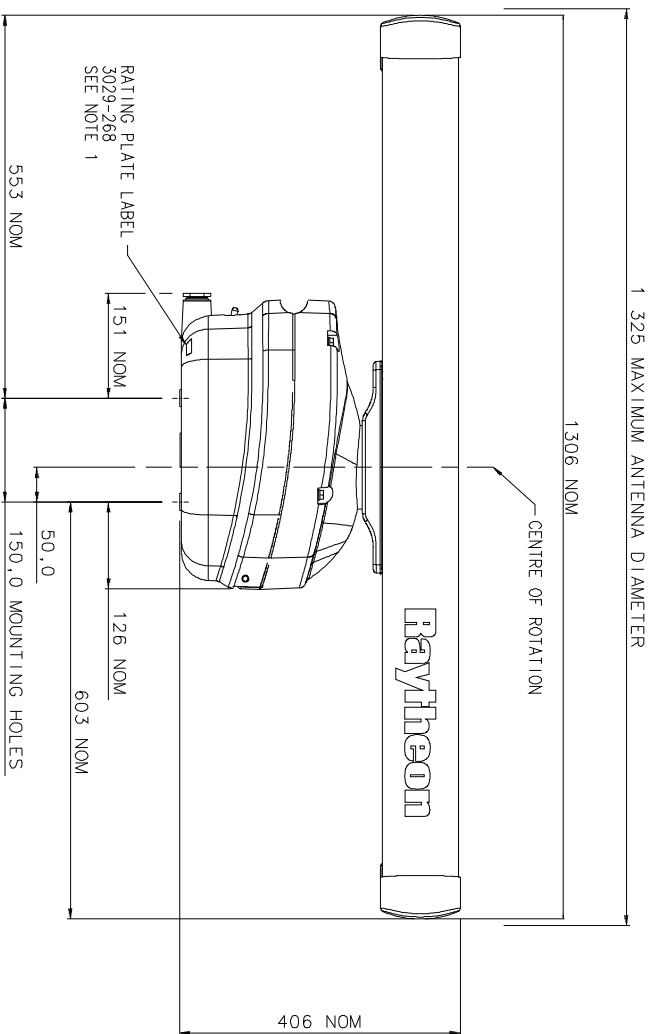


USED ON:

1 2 3 4 5 6 7 8



NOTE 1  
 1. RATING PLATE LABEL TO BE POSITIONED AT REAR RIGHT HAND SIDE, ON LOWER RADIUS, AS SHOWN ABOVE.

ITEM No	DRG/PART No	QTY	DESCRIPTION
1			PARTS LIST

**Raytheon**  
 THE INFORMATION CONTAINED HEREIN IS UNCLASSIFIED EXCEPT WHERE SHOWN OTHERWISE. THIS INFORMATION IS UNCLASSIFIED WITHOUT THE PRIOR WRITTEN PERMISSION OF RAYTHEON.

TOLERANCES UNLESS OTHERWISE STATED	MACHINING:	1.6/
X .005	SHARP INTERNAL CORNERS	
.XX .010	TO HIDE RADIIUS OF 4MM	
.XXX .025	TO HIDE RADIIUS OF 4MM	
ANGLES ±1.5	TO HIDE RADIIUS OF 4MM	
DIMENSIONS IN MM	SCALE: 1:3	

DRAWN TO BS308  
 DO NOT SCALE - IF IN DOUBT ASK  
 DATE: 18.03.99  
 APP'D:

ISS	TITLE	DATE
C	RATING PLATE LABEL POSN ADDED	10.05.99
B	MAXIMUM ANTENNA DIAMETER ADDED	26.04.99
A	FIRST ISSUE	ORIGINAL

PEDESTAL OUTLINE  
 SK500392  
 SH1 OF 1

A H