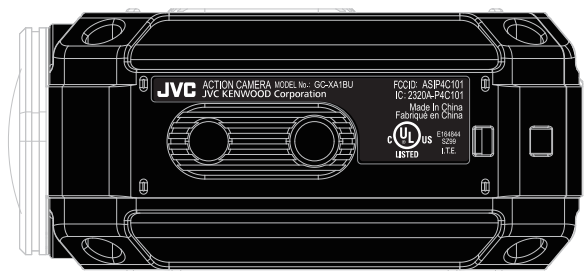
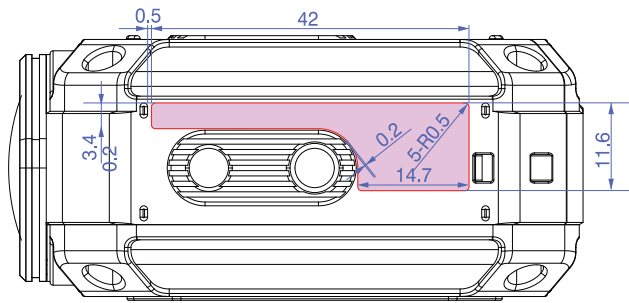


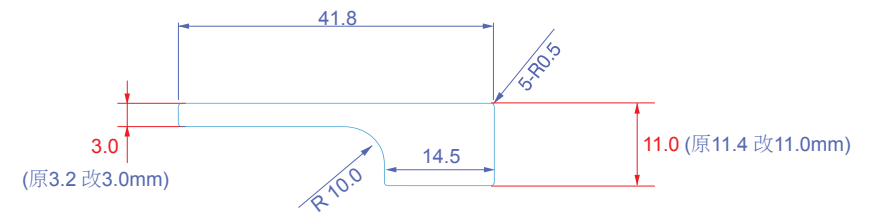
貼紙黏貼位置圖 Only label position

機構圖(紅色區域為凹槽尺寸)



SCALE: 100%

REV. SYMBOL	DATE	DESCRIPTION	SIGN	APPROVED
△				
△				



SCALE: 100%



SCALE: 200%

Notes:

1. Material: 3M7816 50# 白色PET 防水紙
2. Background: BLACK, 鏤空字(紙張顏色)
3. Tolerance: $\pm 0.2\text{mm}$
4. Unite: mm

(加強背膠; 須防水)

MODEL No. DC-C970		PART NO: 2530AC970L-B03		REMARK	
CHICONY ELECTRONICS Co., LTD		MATERIAL: see notes		MODEL NAME: DC-C970(JVC; C2S)	
APPROVED	CHECKED	DESIGNED		PART NAME: DC-C970 SAFETY LABEL(JVC; US)	
		Eva		SCALE: 1/1 UNIT:mm	
		07.05.2012		DWG NO.: REV A	

