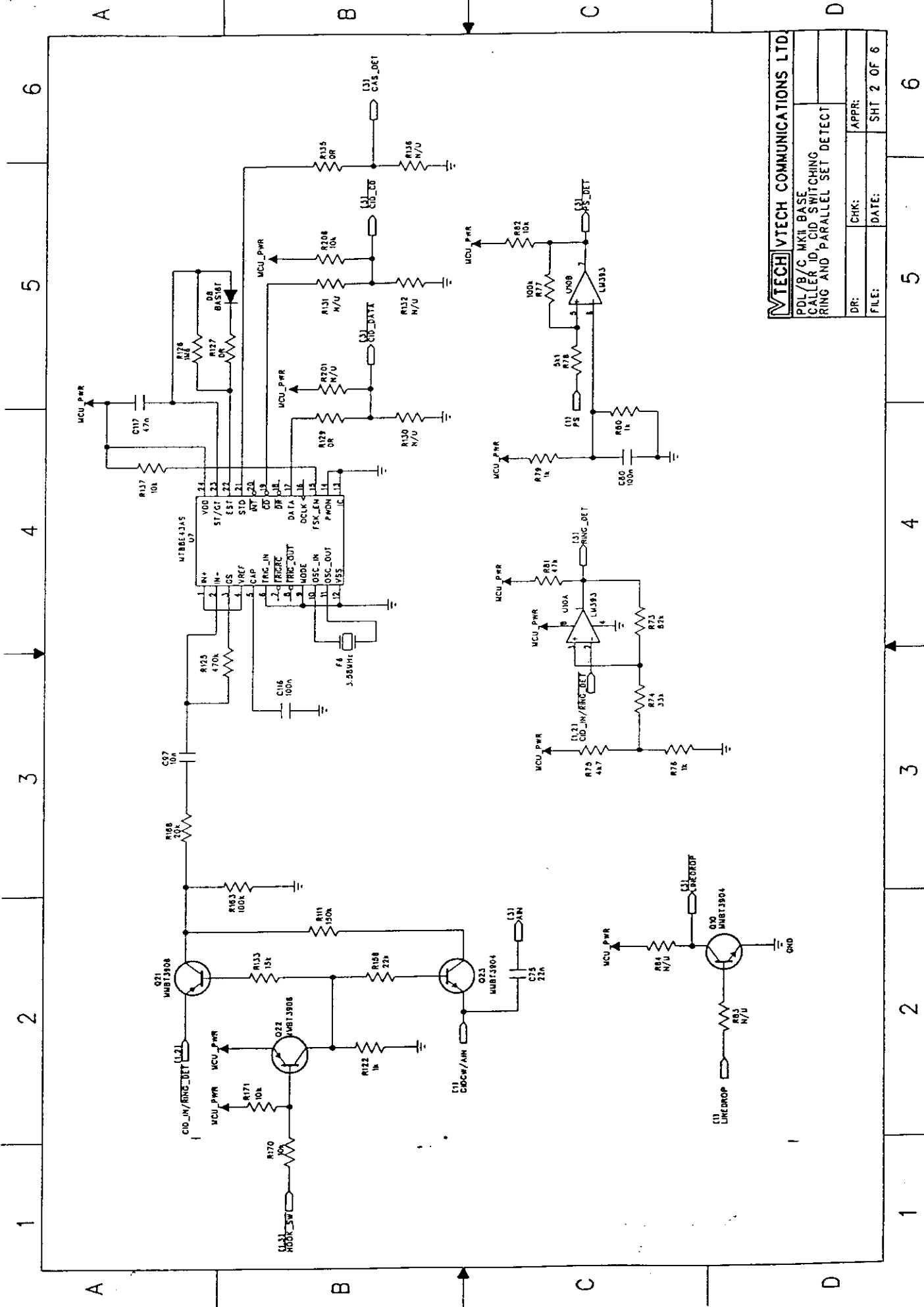


VTECH VTECH COMMUNICATIONS LTD.	
PDLB/C MKII BASE	VTN CAN
POWER SUPPLY, CHARGING	
DR: LNC	CHK: APPR: SDM
FILE: 42380000.SCH	DATE: NOV 28/97
SHT 1 OF 6	

IF D17 IS USED,
R43 = 470K

IF LED FUNCTION
PCB IS INSTALLED
R44=OR
R45=OR
R46=OR

LED BOARD CONNECTOR

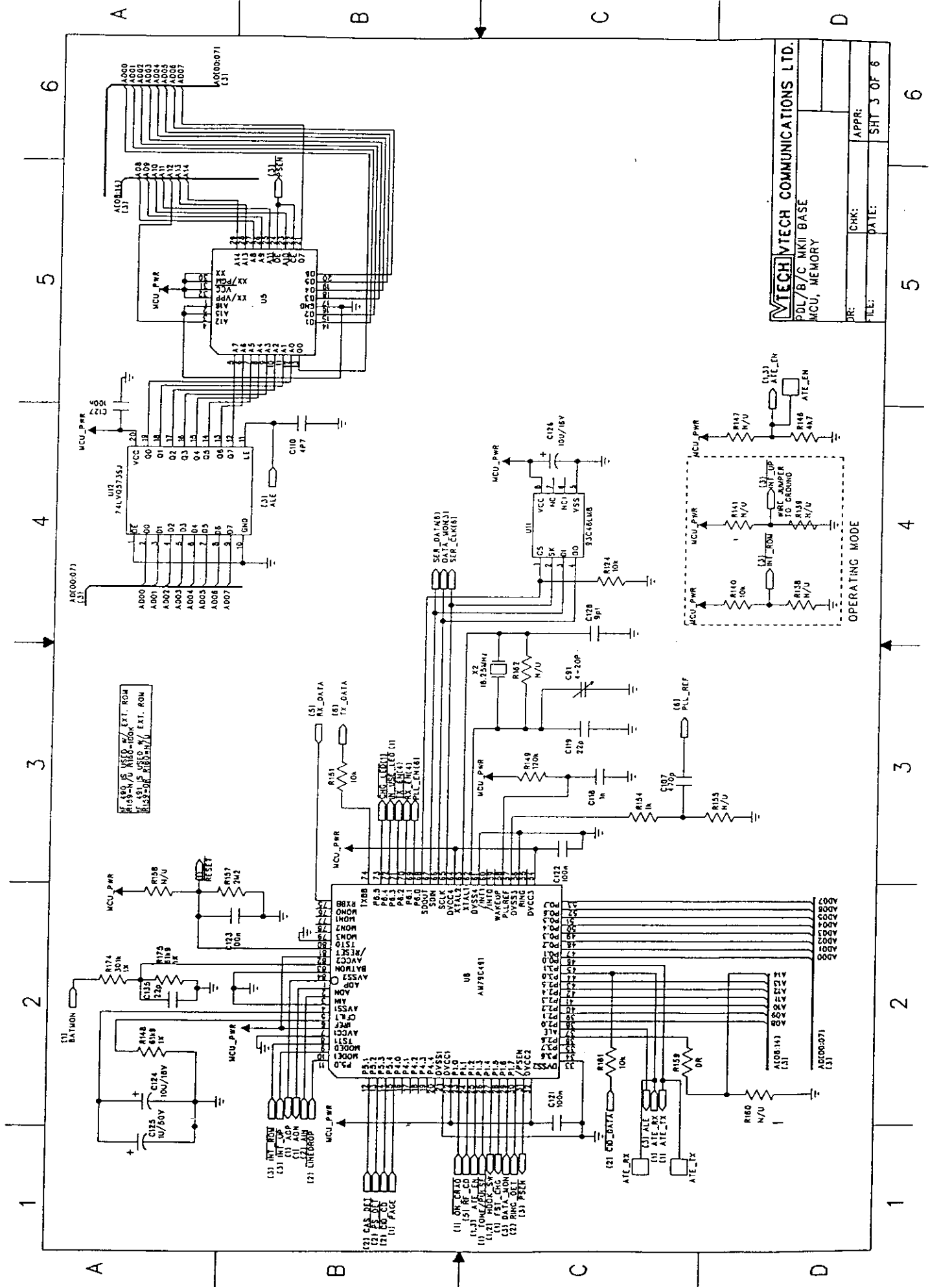


VTECH COMMUNICATIONS LTD.
 PDL/B/C MKII BASE
 CALLER ID, CID SWITCHING
 RING AND PARALLEL SET DETECT

DR:	CHK:	APPR:
FILE:	DATE:	SHT 2 OF 6

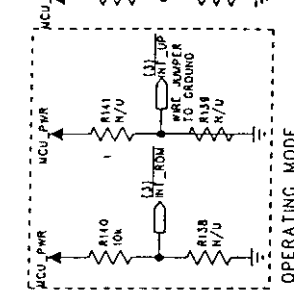
6 5 4 3 2 1

1 2 3 4 5 6



TECHVTECH COMMUNICATIONS LTD.
 PDL/B/C MKII BASE
 MCU, MEMORY
 DR: _____
 TLE: _____
 CHK: _____
 DATE: _____
 APPR: _____
 SHT 3 OF 6

IF ADDR IS USED FOR EXT. ROM
 IF ADDR IS USED FOR EXT. ROM
 IF ADDR IS USED FOR EXT. ROM

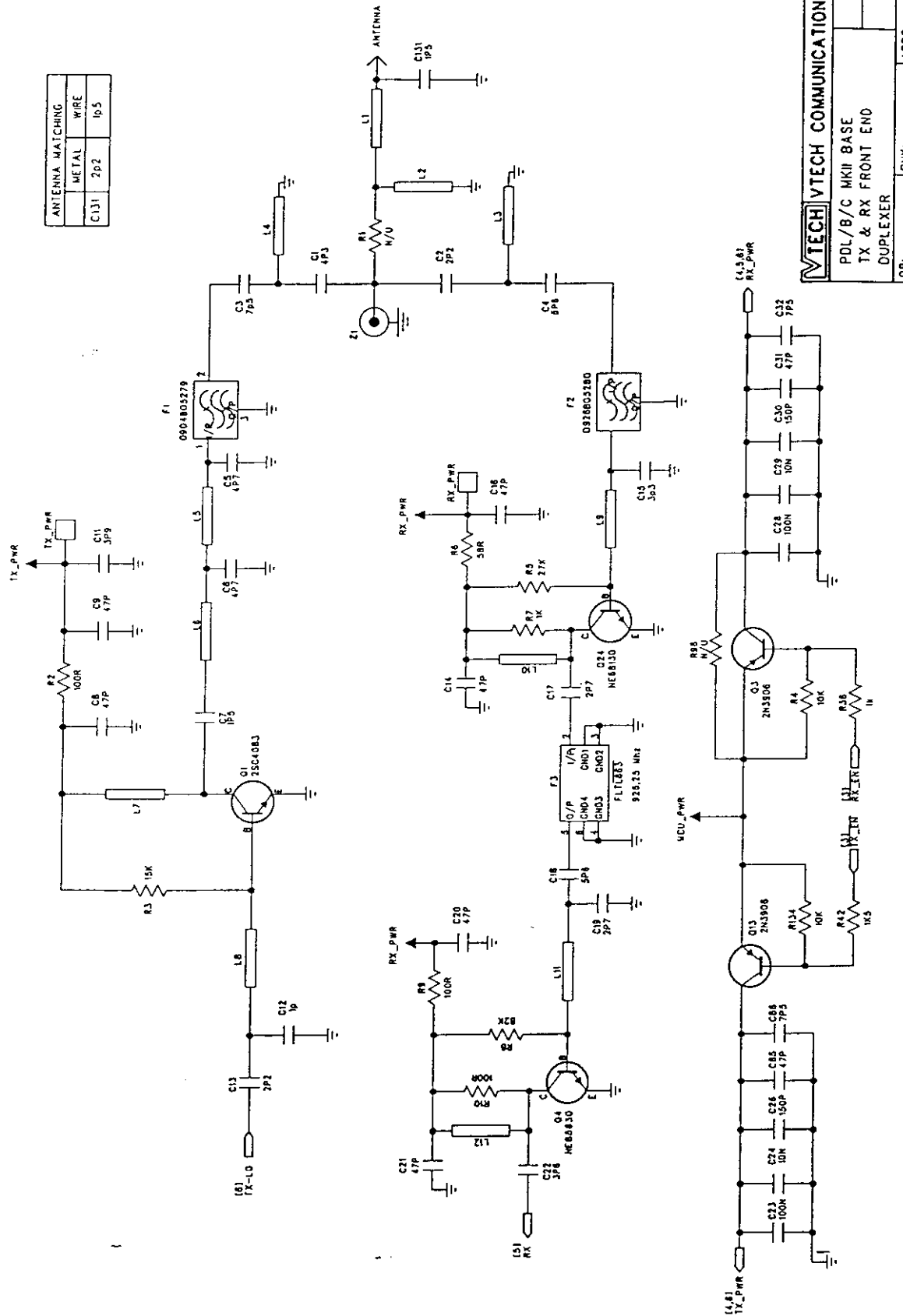


OPERATING MODE

A B C D

1 2 3 4 5 6

ANTENNA MATCHING	
METAL	WIRE
C131	2p2
	1p5

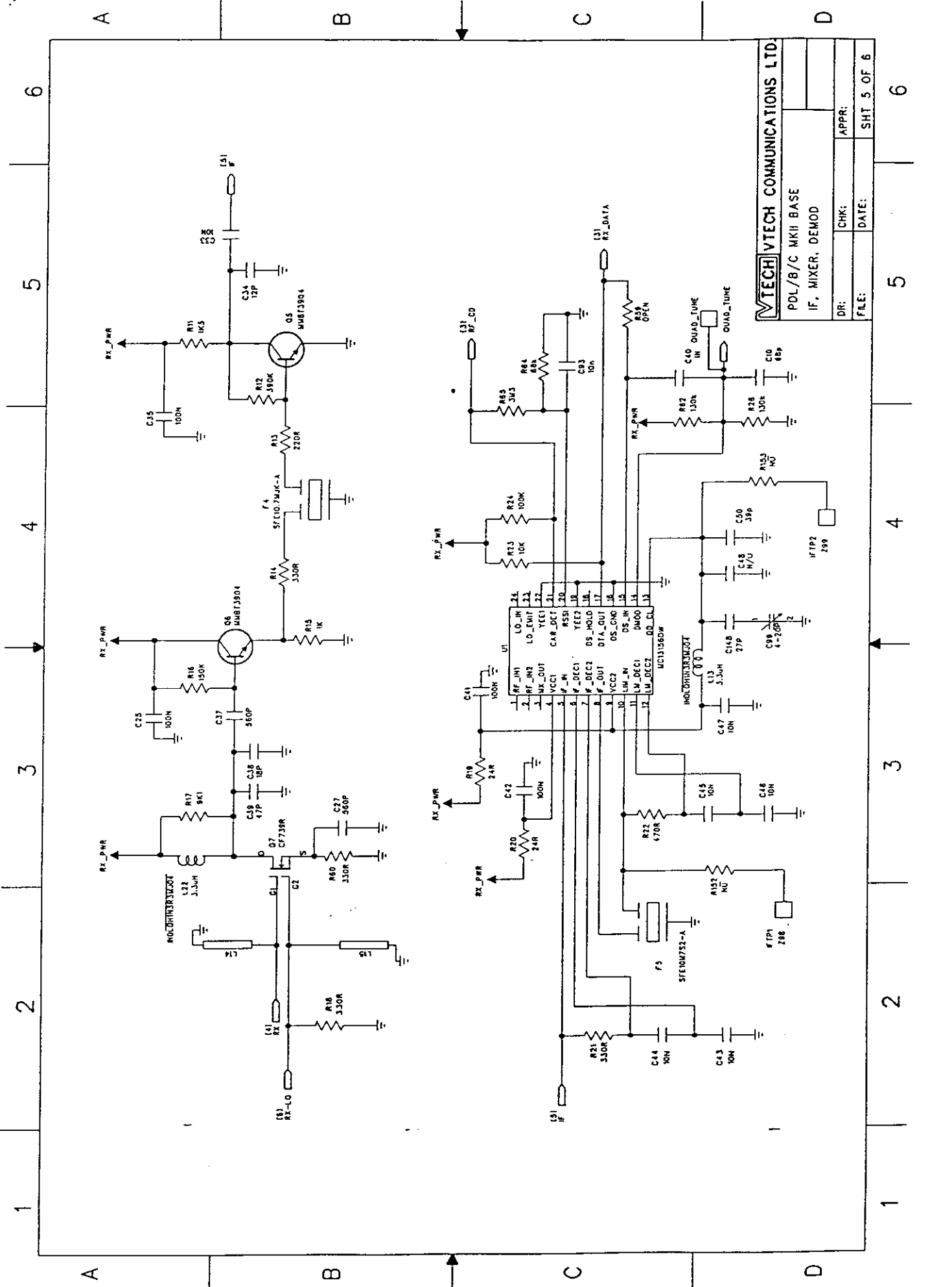


VTECH COMMUNICATIONS LTD.
 PDL/B/C MKII BASE
 TX & RX FRONT END
 DUPLEXER

DR: _____ APPR: _____
 FILE: _____ DATE: _____

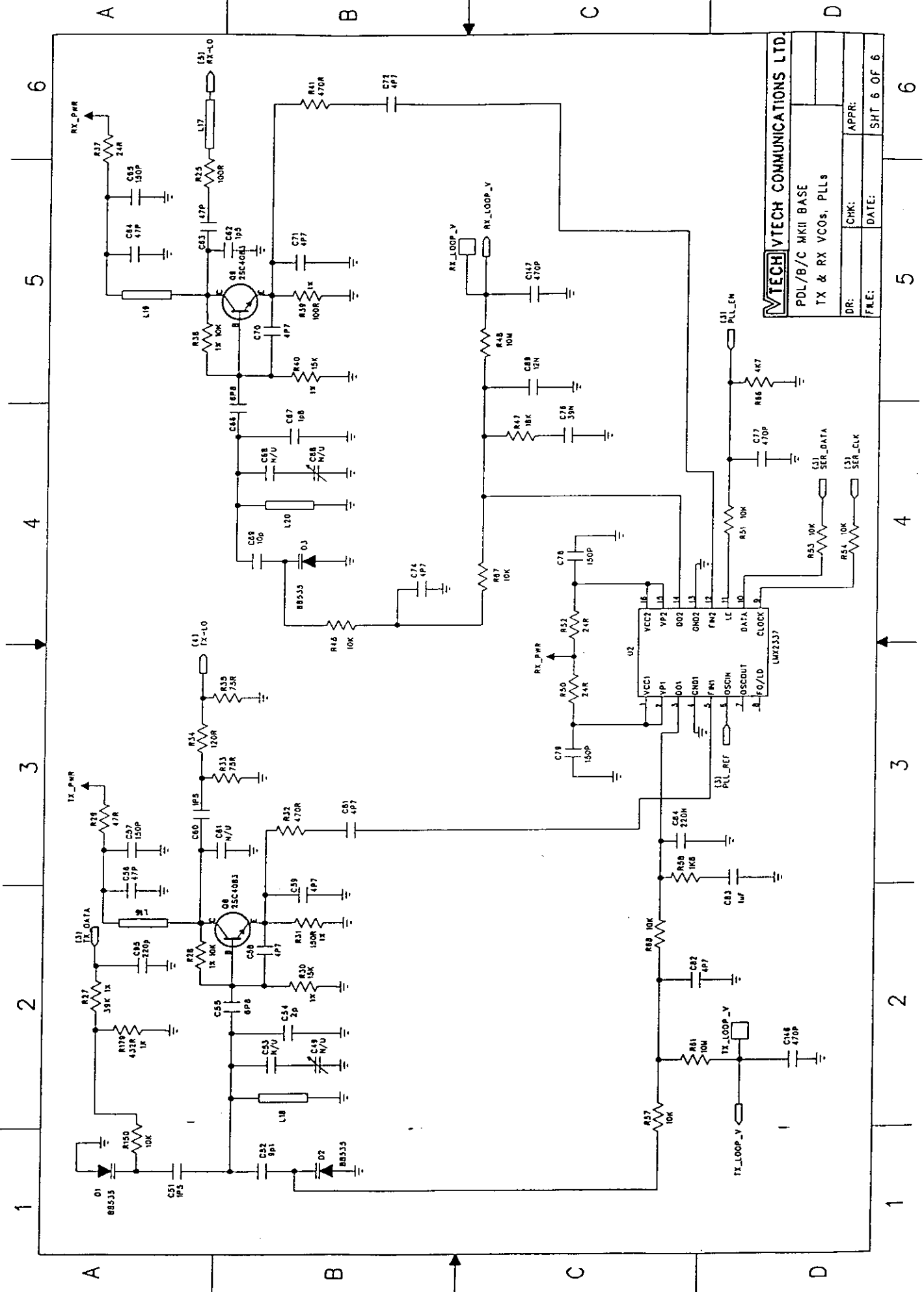
1 2 3 4 5 6

SHT 4 OF 6



VTECH COMMUNICATIONS LTD.
 PDL/B/C MKII BASE
 IF, MIXER, DEMOD

DR:	CHK:	DATE:
APPR:		
FILE:		SHT 5 OF 6



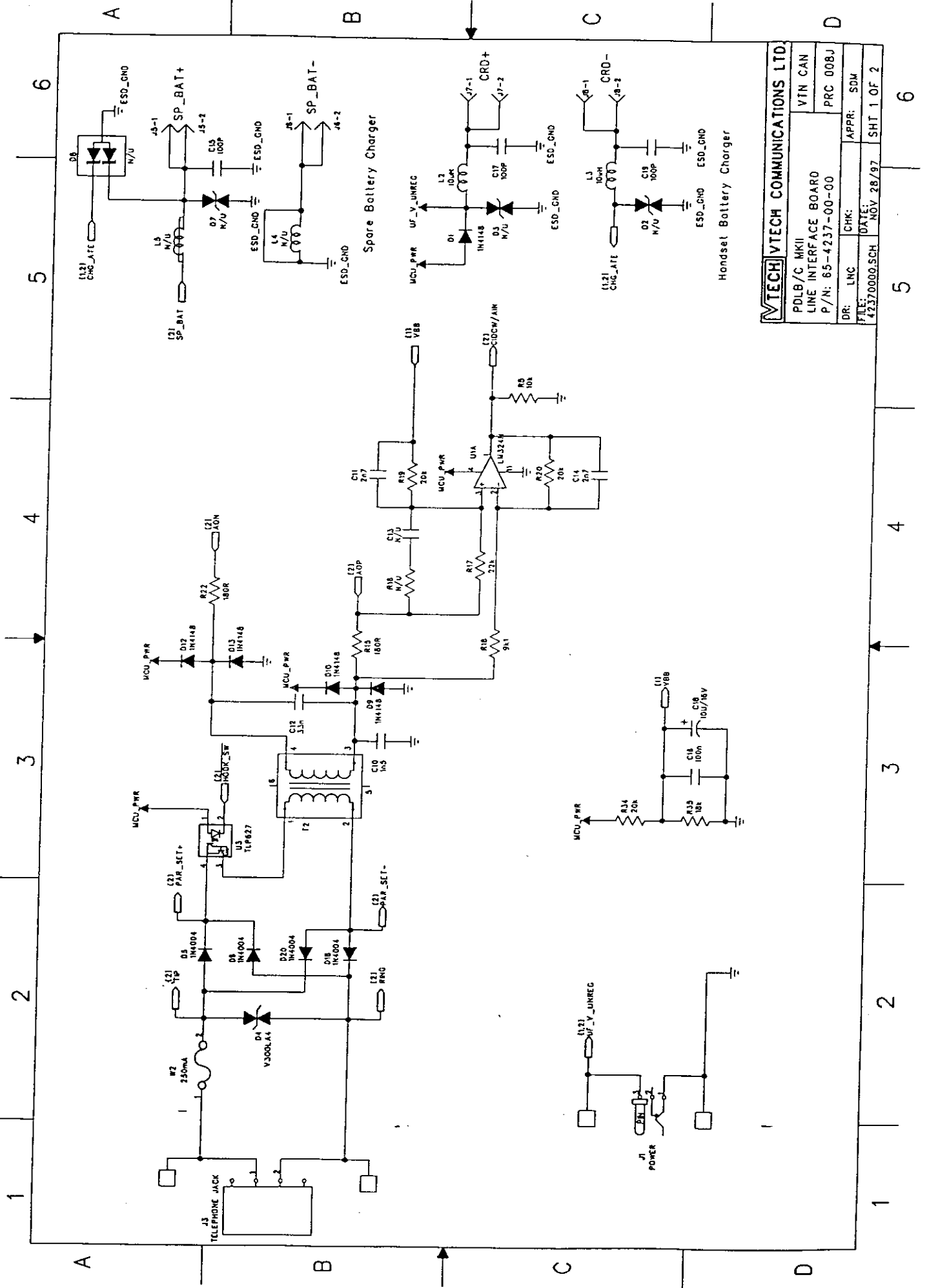
IVTECH COMMUNICATIONS LTD.
 PDL/B/C MKII BASE
 TX & RX VCOs, PLLs

DR:	CHK:	APPR:
FILE:	DATE:	SHT 6 OF 6

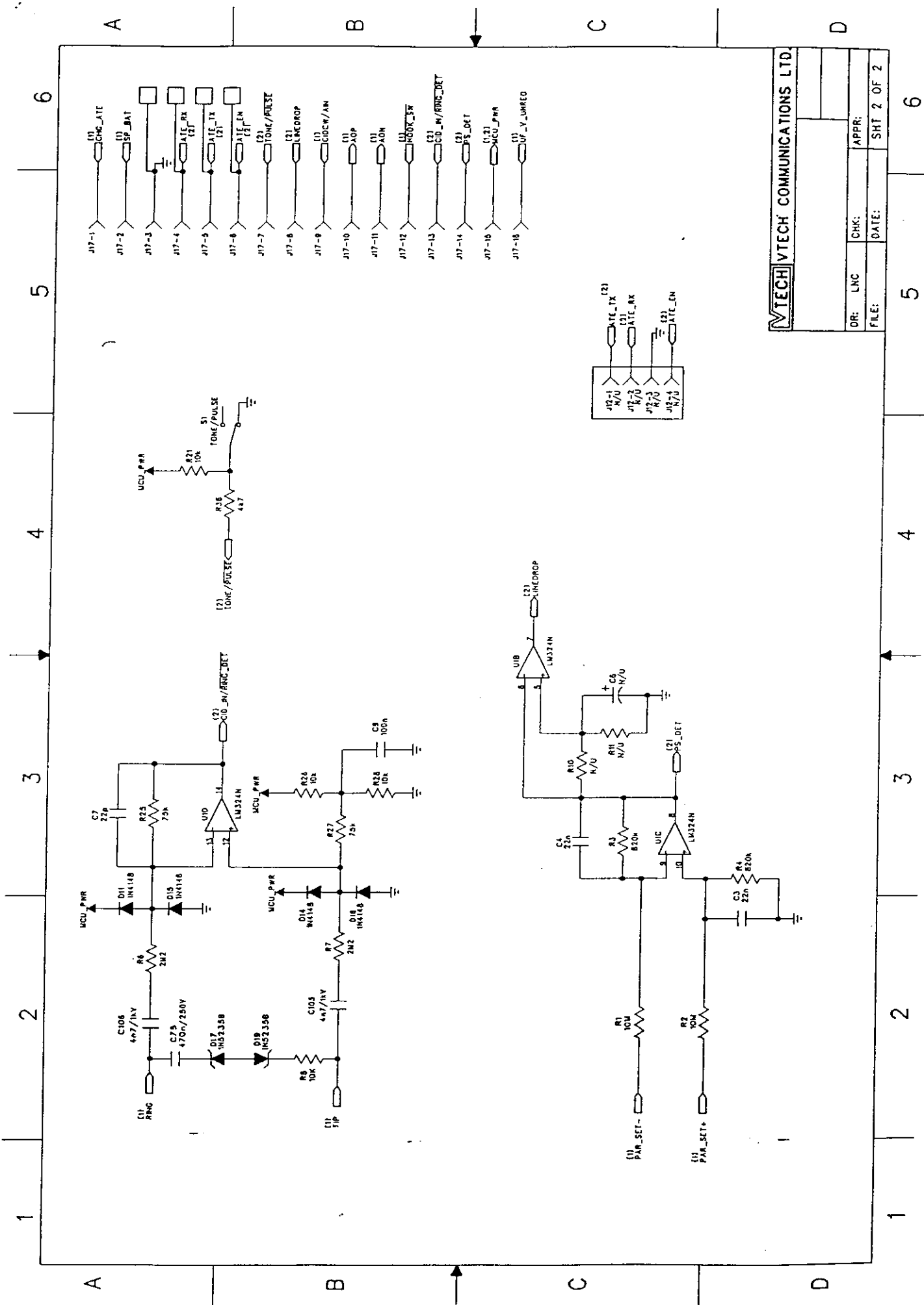
6 5 4 3 2 1

A B C D

1 2 3 4 5 6



TECHNIVTECH COMMUNICATIONS LTD.	
PDLB/C MKII	VTN CAN
LINE INTERFACE BOARD	PRC 008J
P/N: 65-4237-00-00	
DR: LNC	CHK: APPR: SDM
FILES: 42370000.SCH	DATE: NOV 28/97
	SHT 1 OF 2



VTech COMMUNICATIONS LTD.

DR: LNC	CHK:	APPR:
FILE:	DATE:	SHT 2 OF 2

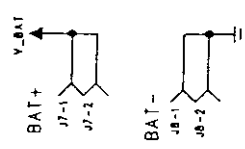
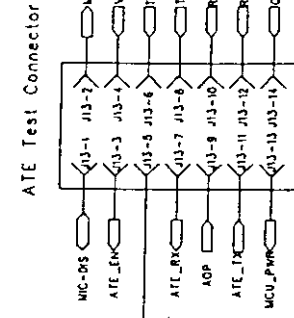
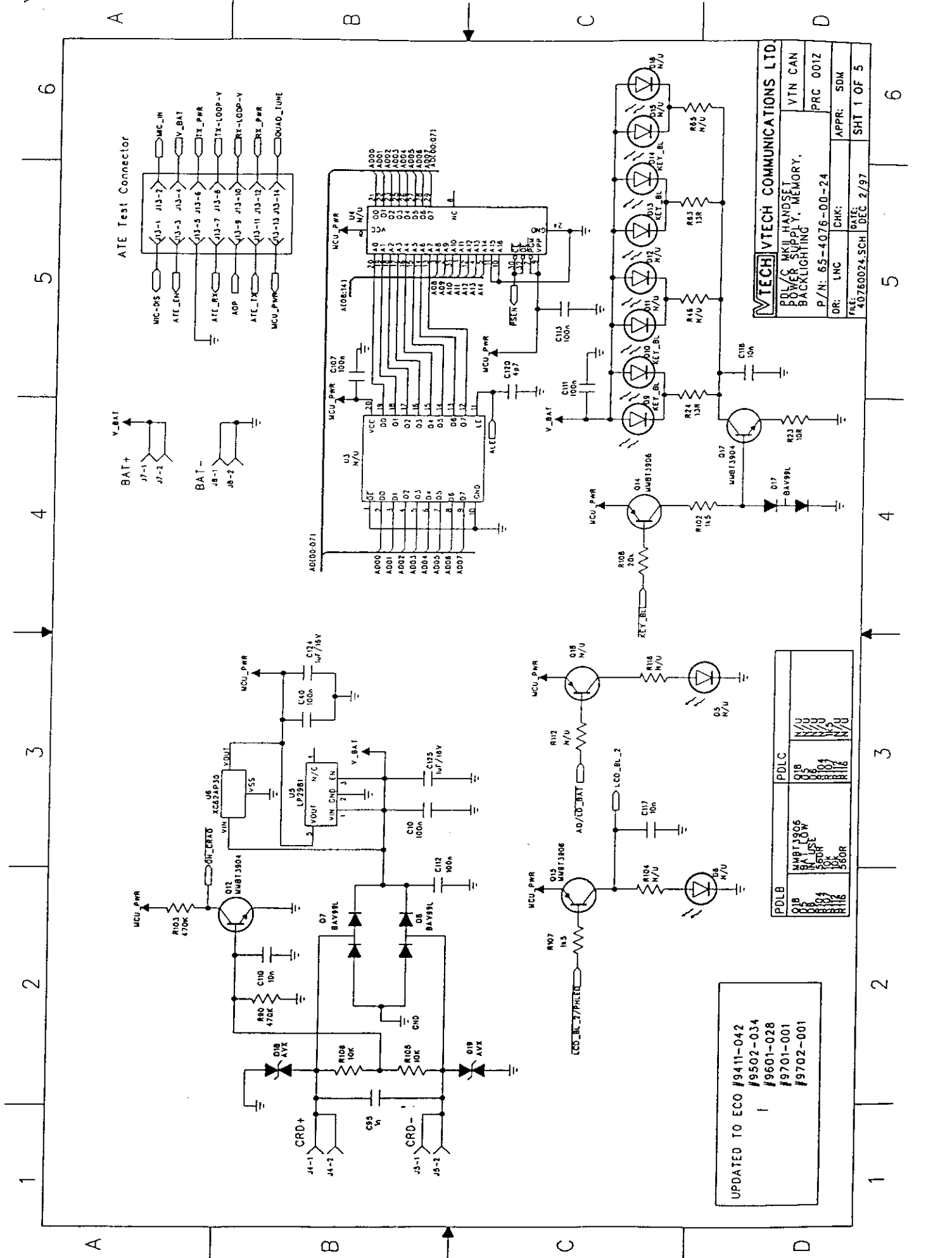
5 6

4

3

2

1



MECHITECH COMMUNICATIONS LTD.

PDL/C MKII HANDSET
POWER SUPPLY - MEMORY,
BACKLIGHTING

VIN CAN

PRC 001Z

DR: LNC

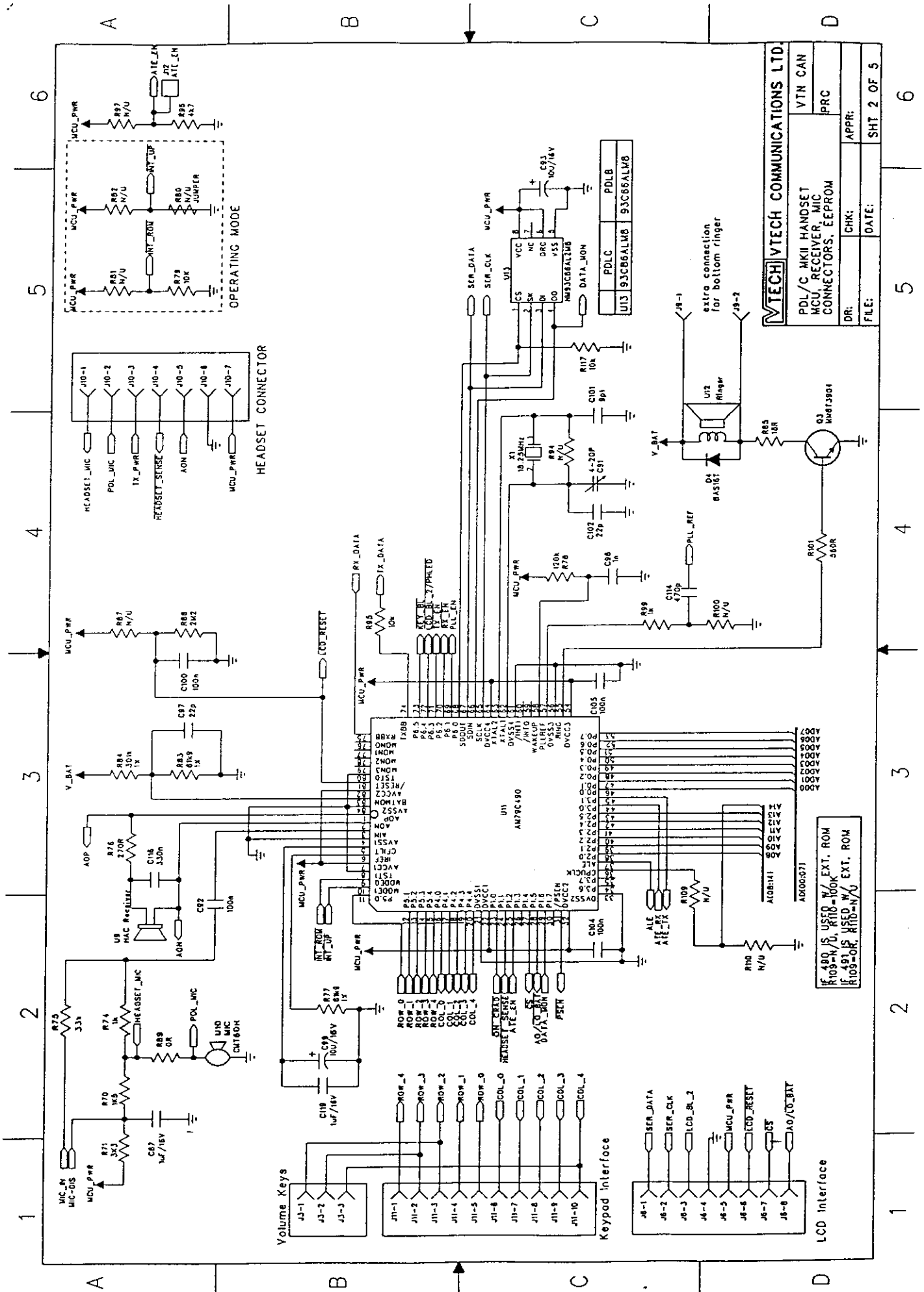
CHK: APPR: SDM

DATE: 40760024.SCH DEC 2/97

SHT 1 OF 5

UPDATED TO ECO #9411-042
#9502-034
#9601-028
#9701-001
#9702-001

PDLB	MMBT3906	PDLC	N/U
Q18	BAV99L	Q18	N/U
Q19	BAV99L	Q19	N/U
Q20	BAV99L	Q20	N/U
Q21	BAV99L	Q21	N/U
Q22	BAV99L	Q22	N/U
Q23	BAV99L	Q23	N/U
Q24	BAV99L	Q24	N/U
Q25	BAV99L	Q25	N/U
Q26	BAV99L	Q26	N/U
Q27	BAV99L	Q27	N/U
Q28	BAV99L	Q28	N/U
Q29	BAV99L	Q29	N/U
Q30	BAV99L	Q30	N/U
Q31	BAV99L	Q31	N/U
Q32	BAV99L	Q32	N/U
Q33	BAV99L	Q33	N/U
Q34	BAV99L	Q34	N/U
Q35	BAV99L	Q35	N/U
Q36	BAV99L	Q36	N/U
Q37	BAV99L	Q37	N/U
Q38	BAV99L	Q38	N/U
Q39	BAV99L	Q39	N/U
Q40	BAV99L	Q40	N/U
Q41	BAV99L	Q41	N/U
Q42	BAV99L	Q42	N/U
Q43	BAV99L	Q43	N/U
Q44	BAV99L	Q44	N/U
Q45	BAV99L	Q45	N/U
Q46	BAV99L	Q46	N/U
Q47	BAV99L	Q47	N/U
Q48	BAV99L	Q48	N/U
Q49	BAV99L	Q49	N/U
Q50	BAV99L	Q50	N/U
Q51	BAV99L	Q51	N/U
Q52	BAV99L	Q52	N/U
Q53	BAV99L	Q53	N/U
Q54	BAV99L	Q54	N/U
Q55	BAV99L	Q55	N/U
Q56	BAV99L	Q56	N/U
Q57	BAV99L	Q57	N/U
Q58	BAV99L	Q58	N/U
Q59	BAV99L	Q59	N/U
Q60	BAV99L	Q60	N/U
Q61	BAV99L	Q61	N/U
Q62	BAV99L	Q62	N/U
Q63	BAV99L	Q63	N/U
Q64	BAV99L	Q64	N/U
Q65	BAV99L	Q65	N/U
Q66	BAV99L	Q66	N/U
Q67	BAV99L	Q67	N/U
Q68	BAV99L	Q68	N/U
Q69	BAV99L	Q69	N/U
Q70	BAV99L	Q70	N/U
Q71	BAV99L	Q71	N/U
Q72	BAV99L	Q72	N/U
Q73	BAV99L	Q73	N/U
Q74	BAV99L	Q74	N/U
Q75	BAV99L	Q75	N/U
Q76	BAV99L	Q76	N/U
Q77	BAV99L	Q77	N/U
Q78	BAV99L	Q78	N/U
Q79	BAV99L	Q79	N/U
Q80	BAV99L	Q80	N/U
Q81	BAV99L	Q81	N/U
Q82	BAV99L	Q82	N/U
Q83	BAV99L	Q83	N/U
Q84	BAV99L	Q84	N/U
Q85	BAV99L	Q85	N/U
Q86	BAV99L	Q86	N/U
Q87	BAV99L	Q87	N/U
Q88	BAV99L	Q88	N/U
Q89	BAV99L	Q89	N/U
Q90	BAV99L	Q90	N/U
Q91	BAV99L	Q91	N/U
Q92	BAV99L	Q92	N/U
Q93	BAV99L	Q93	N/U
Q94	BAV99L	Q94	N/U
Q95	BAV99L	Q95	N/U
Q96	BAV99L	Q96	N/U
Q97	BAV99L	Q97	N/U
Q98	BAV99L	Q98	N/U
Q99	BAV99L	Q99	N/U
Q100	BAV99L	Q100	N/U



VTECH COMMUNICATIONS LTD.	
PDL/C MKII HANDSET	VTN CAN
MCU, RECEIVER, MIC	PRC
CONNECTORS, EEPROM	
DR:	CHK:
FILE:	DATE:
	APPR:
	SHT 2 OF 5

R109=N/U, U5F0 W/ EXT. ROM
 R109=N/U, R110=100K
 R109=OK, R110=N/U

ANTENNA MATCHING		90MHZ
STUBBY	RETRACTABLE	
R1	OR	N/U
R11	N/U	OR
R13	N/U	N/U
C115	N/U	6p8
C122	N/U	N/U
		1P0

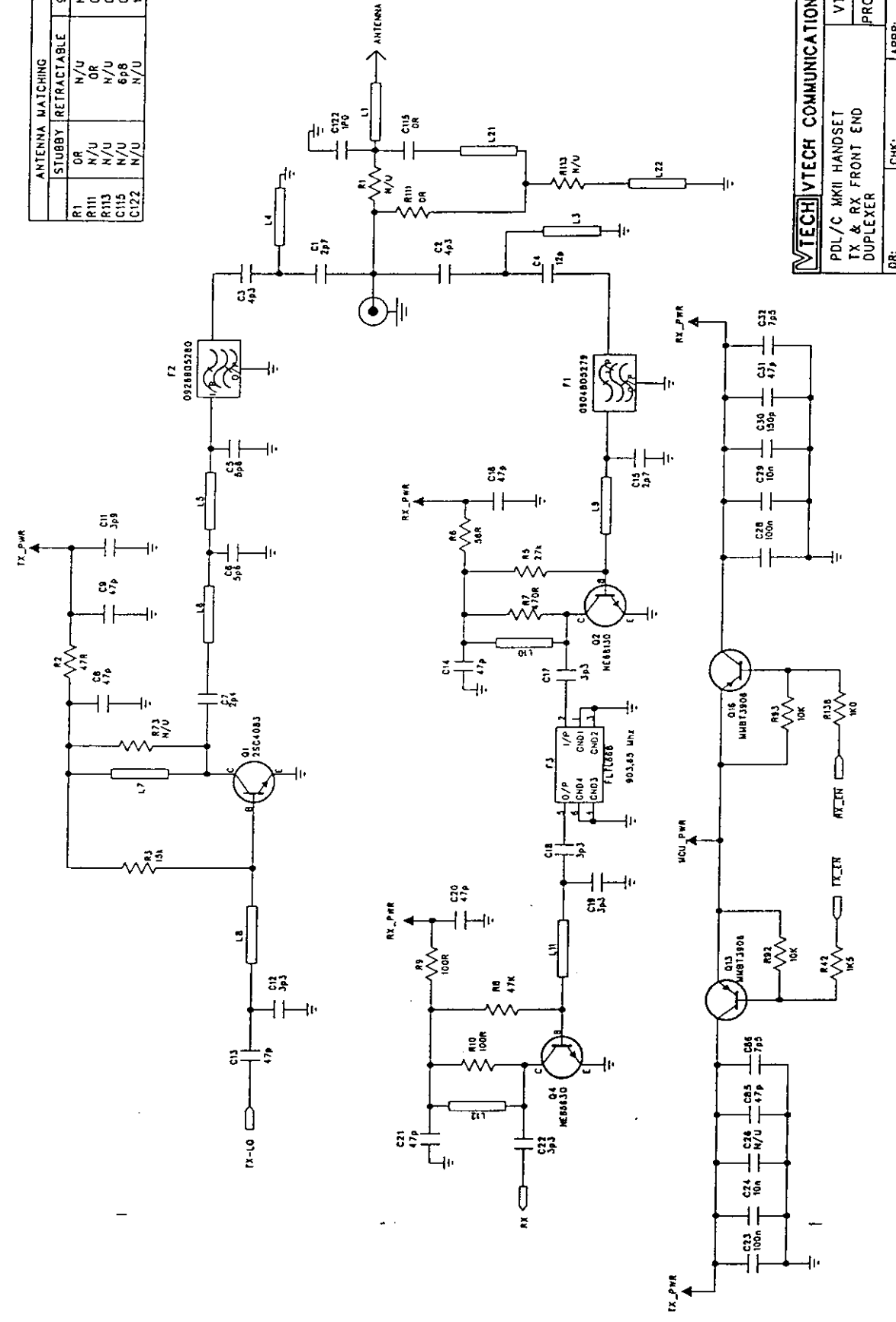
VTECH COMMUNICATIONS LTD

PDL/C MKII HANDSET
TX & RX FRONT END
DUPLER

VTN CAN
PRC

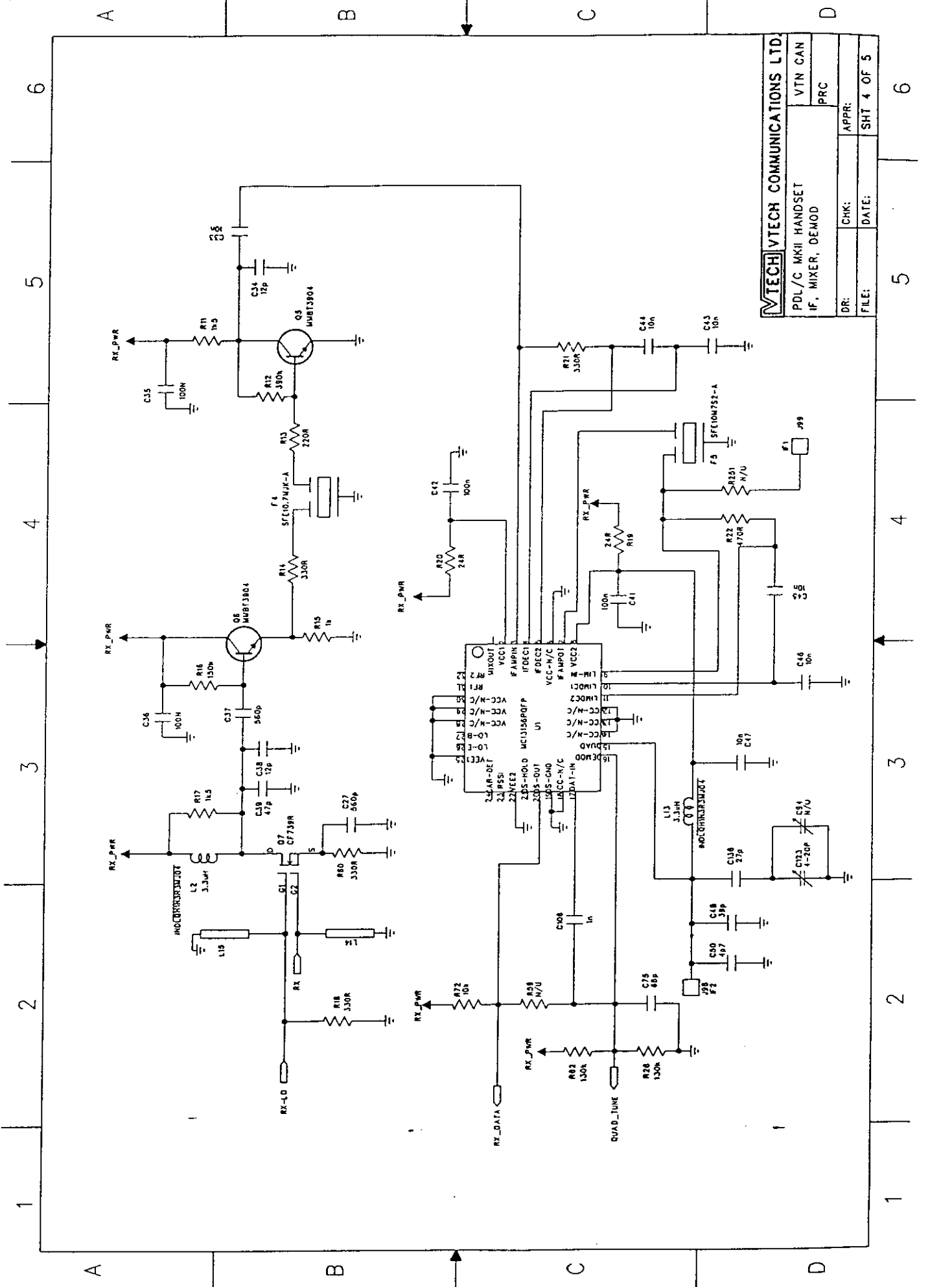
DR: _____ CHK: _____ APPR: _____
FILE: _____ DATE: _____

SHT 3 OF 5



1 2 3 4 5 6

A B C D



VTECH COMMUNICATIONS LTD.

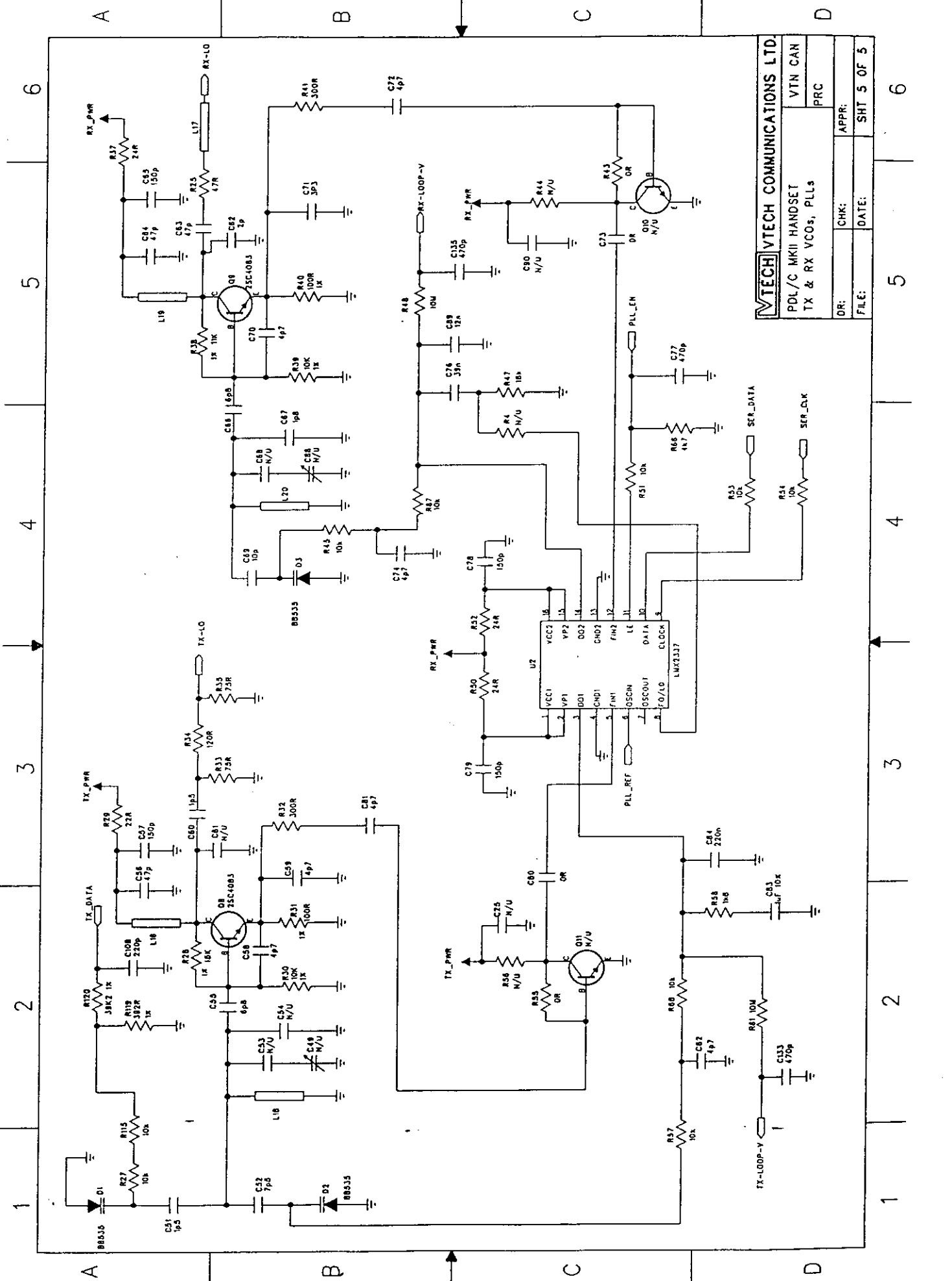
PDL/C MKII HANDSET
IF, MIXER, DEMOD

VTN CAN
PRC

DR: _____ CHK: _____ DATE: _____ APPR: _____
FILE: _____ SHT 4 OF 5

1 2 3 4 5 6

A B C D



VTECH COMMUNICATIONS LTD.	
PDL/C MKII HANDSET	VTN CAN
TX & RX VCOs, PLLs	PRC
DR:	CHK:
FILE:	DATE:
	APPR:
	SHT 5 OF 5

1 2 3 4 5 6

A B C D