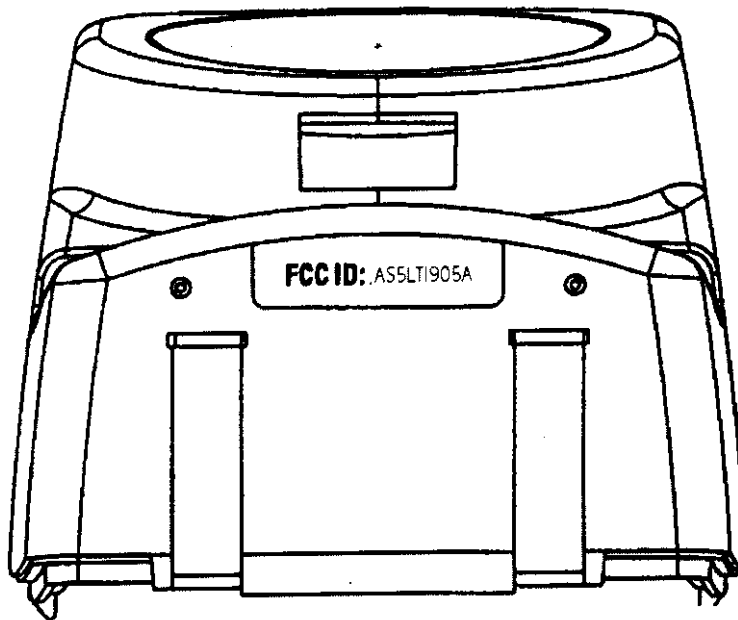


**EXHIBIT B PRODUCT LABELING**

### B.1 FCC ID Label Handset

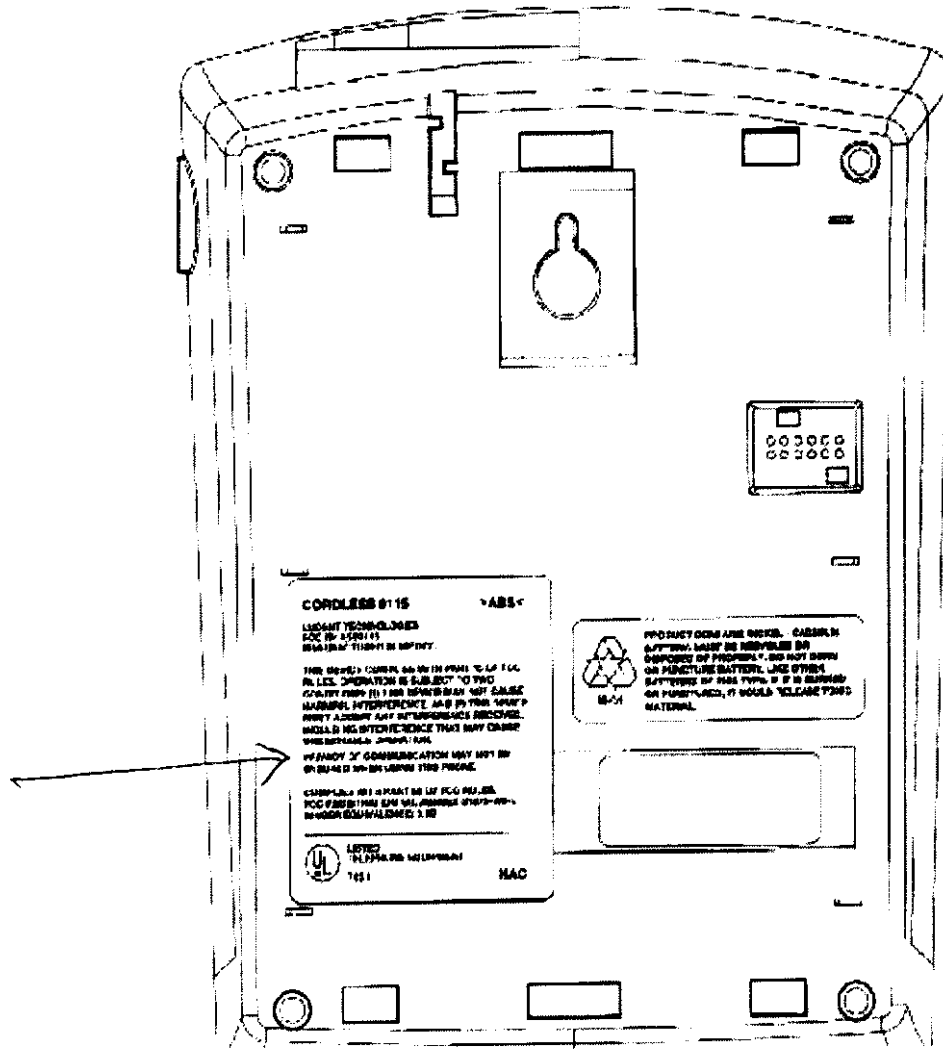
Label will be on the bottom end of the handset

DRAFT

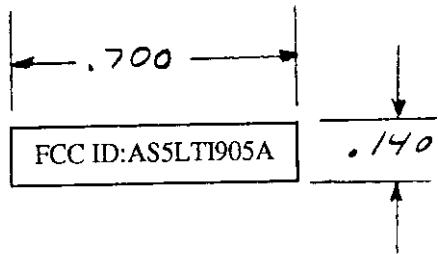


**B.2 FCC ID Label on Base**

**DRAFT**



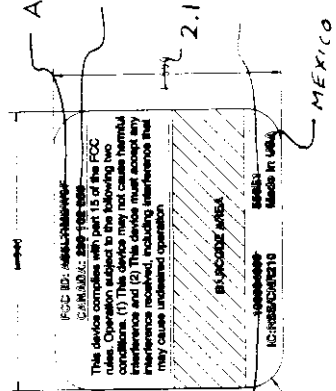
### **B.3 Base Label**



DRAFT

108166059

ASSITI 705A



DRAFT

- NOTES
- THIS IS A PRELIMINARY DRAWING. DIMENSIONS MAY VARY FROM THE DIMENSIONS LISTED AND ARE TO BE USED AS A GUIDE ONLY. THE DIMENSIONS LISTED ARE THE DIMENSIONS OF THE PARTS AND NOT THE DIMENSIONS OF THE ASSEMBLY. THE DRAWING TITLE NAME IS 848-0019 DRW. THE PART NAME IS BARIODIODE PULL DOWN LEVEL 15. THE PRODUCT DATABASE DRAWING REVISION LEVEL IS 1.0. THE PROJECT DATABASE ORIGIN IS 108166059. THE RELEASE PROCTURE IS UNDER SHARPA CONTROL.
  - MATERIAL: 4 MIL VINYL BASE LAMINATE WITH 5 MIL PS CARBONATE USING 3175 ADHESIVE. PRESURE SENSITIVE PERMANENT MARKER OR APPROPRIATE EQUIVALENT. ALL CHARACTERS PRINT IDENTICAL BLACK X 18268 OR COMPARABLE PANTONE COLOR BLACK 6. OVER LITEN GRAPHIC WHITE X 18268. BACK LINE REFER TO SAME. RESIST ADHESIVE AND SUBSTRATE. USE A SHARP ALL CORNERS FOR ALL SYMBOLS. THEIR RESPECTIVE LOCATIONS AND SIZES.

REV	DATE	DESCRIPTION	BY	CHKD	APP'D	REASON FOR CHANGE
1	01/22/98	INITIAL DRAWING				
2	02/24/98	REVISION 1.0				
3	03/10/98	REVISION 1.1				
4	03/10/98	REVISION 1.2				
5	03/10/98	REVISION 1.3				
6	03/10/98	REVISION 1.4				
7	03/10/98	REVISION 1.5				
8	03/10/98	REVISION 1.6				
9	03/10/98	REVISION 1.7				
10	03/10/98	REVISION 1.8				
11	03/10/98	REVISION 1.9				
12	03/10/98	REVISION 2.0				
13	03/10/98	REVISION 2.1				
14	03/10/98	REVISION 2.2				
15	03/10/98	REVISION 2.3				
16	03/10/98	REVISION 2.4				
17	03/10/98	REVISION 2.5				
18	03/10/98	REVISION 2.6				
19	03/10/98	REVISION 2.7				
20	03/10/98	REVISION 2.8				
21	03/10/98	REVISION 2.9				
22	03/10/98	REVISION 3.0				
23	03/10/98	REVISION 3.1				
24	03/10/98	REVISION 3.2				
25	03/10/98	REVISION 3.3				
26	03/10/98	REVISION 3.4				
27	03/10/98	REVISION 3.5				
28	03/10/98	REVISION 3.6				
29	03/10/98	REVISION 3.7				
30	03/10/98	REVISION 3.8				
31	03/10/98	REVISION 3.9				
32	03/10/98	REVISION 4.0				
33	03/10/98	REVISION 4.1				
34	03/10/98	REVISION 4.2				
35	03/10/98	REVISION 4.3				
36	03/10/98	REVISION 4.4				
37	03/10/98	REVISION 4.5				
38	03/10/98	REVISION 4.6				
39	03/10/98	REVISION 4.7				
40	03/10/98	REVISION 4.8				
41	03/10/98	REVISION 4.9				
42	03/10/98	REVISION 5.0				
43	03/10/98	REVISION 5.1				
44	03/10/98	REVISION 5.2				
45	03/10/98	REVISION 5.3				
46	03/10/98	REVISION 5.4				
47	03/10/98	REVISION 5.5				
48	03/10/98	REVISION 5.6				
49	03/10/98	REVISION 5.7				
50	03/10/98	REVISION 5.8				
51	03/10/98	REVISION 5.9				
52	03/10/98	REVISION 6.0				
53	03/10/98	REVISION 6.1				
54	03/10/98	REVISION 6.2				
55	03/10/98	REVISION 6.3				
56	03/10/98	REVISION 6.4				
57	03/10/98	REVISION 6.5				
58	03/10/98	REVISION 6.6				
59	03/10/98	REVISION 6.7				
60	03/10/98	REVISION 6.8				
61	03/10/98	REVISION 6.9				
62	03/10/98	REVISION 7.0				
63	03/10/98	REVISION 7.1				
64	03/10/98	REVISION 7.2				
65	03/10/98	REVISION 7.3				
66	03/10/98	REVISION 7.4				
67	03/10/98	REVISION 7.5				
68	03/10/98	REVISION 7.6				
69	03/10/98	REVISION 7.7				
70	03/10/98	REVISION 7.8				
71	03/10/98	REVISION 7.9				
72	03/10/98	REVISION 8.0				
73	03/10/98	REVISION 8.1				
74	03/10/98	REVISION 8.2				
75	03/10/98	REVISION 8.3				
76	03/10/98	REVISION 8.4				
77	03/10/98	REVISION 8.5				
78	03/10/98	REVISION 8.6				
79	03/10/98	REVISION 8.7				
80	03/10/98	REVISION 8.8				
81	03/10/98	REVISION 8.9				
82	03/10/98	REVISION 9.0				
83	03/10/98	REVISION 9.1				
84	03/10/98	REVISION 9.2				
85	03/10/98	REVISION 9.3				
86	03/10/98	REVISION 9.4				
87	03/10/98	REVISION 9.5				
88	03/10/98	REVISION 9.6				
89	03/10/98	REVISION 9.7				
90	03/10/98	REVISION 9.8				
91	03/10/98	REVISION 9.9				
92	03/10/98	REVISION 10.0				
93	03/10/98	REVISION 10.1				
94	03/10/98	REVISION 10.2				
95	03/10/98	REVISION 10.3				
96	03/10/98	REVISION 10.4				
97	03/10/98	REVISION 10.5				
98	03/10/98	REVISION 10.6				
99	03/10/98	REVISION 10.7				
100	03/10/98	REVISION 10.8				
101	03/10/98	REVISION 10.9				
102	03/10/98	REVISION 11.0				
103	03/10/98	REVISION 11.1				
104	03/10/98	REVISION 11.2				
105	03/10/98	REVISION 11.3				
106	03/10/98	REVISION 11.4				
107	03/10/98	REVISION 11.5				
108	03/10/98	REVISION 11.6				
109	03/10/98	REVISION 11.7				
110	03/10/98	REVISION 11.8				
111	03/10/98	REVISION 11.9				
112	03/10/98	REVISION 12.0				
113	03/10/98	REVISION 12.1				
114	03/10/98	REVISION 12.2				
115	03/10/98	REVISION 12.3				
116	03/10/98	REVISION 12.4				
117	03/10/98	REVISION 12.5				
118	03/10/98	REVISION 12.6				
119	03/10/98	REVISION 12.7				
120	03/10/98	REVISION 12.8				
121	03/10/98	REVISION 12.9				
122	03/10/98	REVISION 13.0				
123	03/10/98	REVISION 13.1				
124	03/10/98	REVISION 13.2				
125	03/10/98	REVISION 13.3				
126	03/10/98	REVISION 13.4				
127	03/10/98	REVISION 13.5				
128	03/10/98	REVISION 13.6				
129	03/10/98	REVISION 13.7				
130	03/10/98	REVISION 13.8				
131	03/10/98	REVISION 13.9				
132	03/10/98	REVISION 14.0				
133	03/10/98	REVISION 14.1				
134	03/10/98	REVISION 14.2				
135	03/10/98	REVISION 14.3				
136	03/10/98	REVISION 14.4				
137	03/10/98	REVISION 14.5				
138	03/10/98	REVISION 14.6				
139	03/10/98	REVISION 14.7				
140	03/10/98	REVISION 14.8				
141	03/10/98	REVISION 14.9				
142	03/10/98	REVISION 15.0				
143	03/10/98	REVISION 15.1				
144	03/10/98	REVISION 15.2				
145	03/10/98	REVISION 15.3				
146	03/10/98	REVISION 15.4				
147	03/10/98	REVISION 15.5				
148	03/10/98	REVISION 15.6				
149	03/10/98	REVISION 15.7				
150	03/10/98	REVISION 15.8				
151	03/10/98	REVISION 15.9				
152	03/10/98	REVISION 16.0				
153	03/10/98	REVISION 16.1				
154	03/10/98	REVISION 16.2				
155	03/10/98	REVISION 16.3				
156	03/10/98	REVISION 16.4				
157	03/10/98	REVISION 16.5				
158	03/10/98	REVISION 16.6				
159	03/10/98	REVISION 16.7				
160	03/10/98	REVISION 16.8				
161	03/10/98	REVISION 16.9				
162	03/10/98	REVISION 17.0				
163	03/10/98	REVISION 17.1				
164	03/10/98	REVISION 17.2				
165	03/10/98	REVISION 17.3				
166	03/10/98	REVISION 17.4				
167	03/10/98	REVISION 17.5				
168	03/10/98	REVISION 17.6				
169	03/10/98	REVISION 17.7				
170	03/10/98	REVISION 17.8				
171	03/10/98	REVISION 17.9				
172	03/10/98	REVISION 18.0				
173	03/10/98	REVISION 18.1				
174	03/10/98	REVISION 18.2				
175	03/10/98	REVISION 18.3				
176	03/10/98	REVISION 18.4				
177	03/10/98	REVISION 18.5				
178	03/10/98	REVISION 18.6				
179	03/10/98	REVISION 18.7				
180	03/10/98	REVISION 18.8				
181	03/10/98	REVISION 18.9				
182	03/10/98	REVISION 19.0				
183	03/10/98	REVISION 19.1				
184	03/10/98	REVISION 19.2				
185	03/10/98	REVISION 19.3				
186	03/10/98	REVISION 19.4				
187	03/10/98	REVISION 19.5				
188	03/10/98	REVISION 19.6		</		