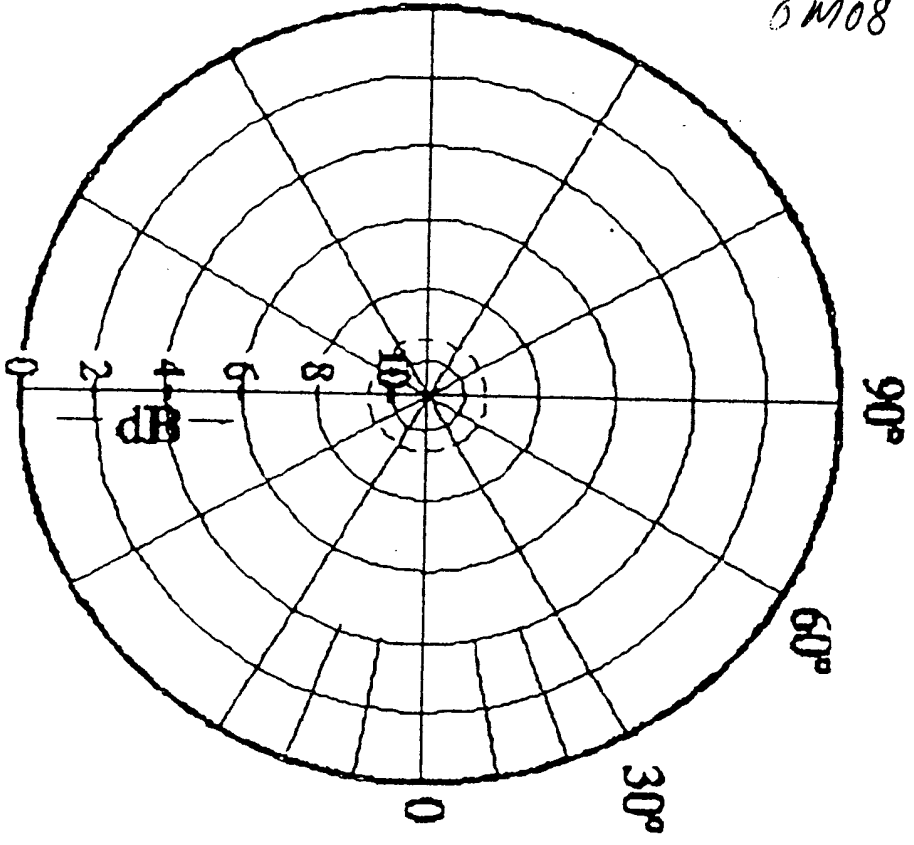
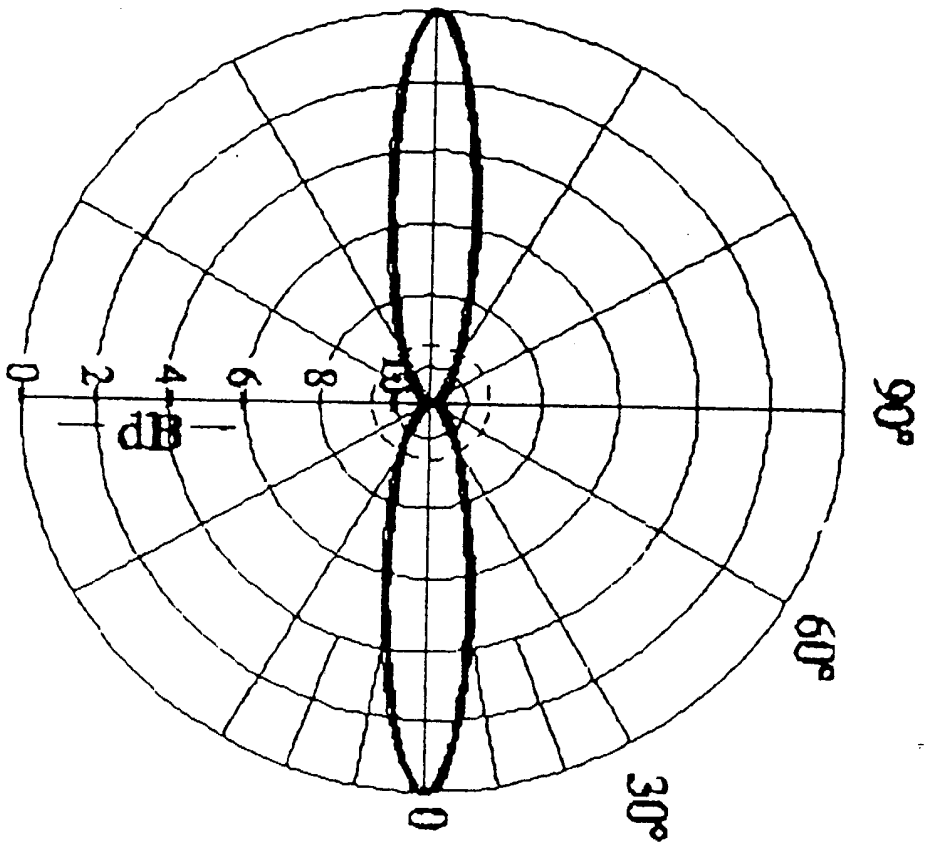


6M08

Horizontal



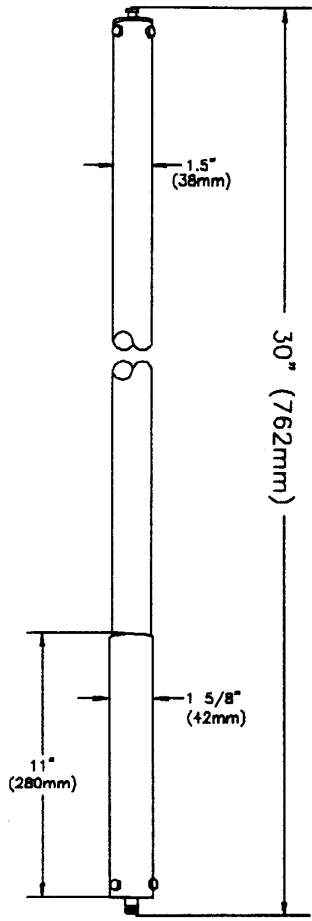
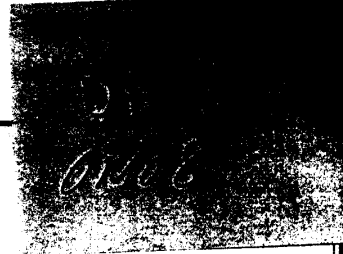
Vertical



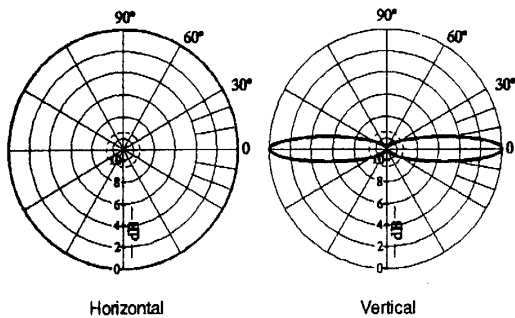
DB906S(N/E)-T

6dBd Low Profile Omni Antenna
2400-2483 MHz

Model Number	DB906SN-T	DB906SE-T
Terminations	Type N-Female	7-16 DIN
Gain	6 dBd (8.1 dBi)	
Beamwidth (3dB from max)	Vertical: 15°	
Frequency Range	2400-2483 MHz	
VSWR	> 1.5 : 1	
Polarization	Vertical	
Max. Input Power	400 Watts	
Application	Wireless Local Loop	
Weight	5 lbs (2.3 kg)	
Wind Area	0.27 ft² (.03 m²) (Flat Plate Equivalent)	
Wind Load	10.8 lbf (48N) 4.9 kp at 100 mph (161 km/h)	
Max. Wind Speed	150 mph (240 km/h)	
Material	Radiators: Brass	Radome: Fiberglass
	Mast: Pass. Aluminum	Mounting Hdw: Gold Iridited Aluminum
Color, Radome	White	
Mounting	ASPA320	
Lightning Protection	Direct ground.	
Packing Size	35" x 4" x 4" (89 x 10 x 10 cm)	
Shipping Weight	10 lbs (4.5 kg)	



Antenna Patterns



6 dBd (8.1 dBi) Low Profile Omni
Antenna for 2400-2483 MHz.

Specifications are for reference only.

099052-000-B 4/98



DECIBEL PRODUCTS

A Division of Allen Telecom Inc.

8635 Stemmons Freeway • P. O. Box 569610 • Dallas, Texas 75356-9610
214 / 631-0310 • Fax: 214 / 631-4706

