

Figure 12A/14A/15A Test Configuration For RF Power, Occupied Bandwidth and Conducted Spurious

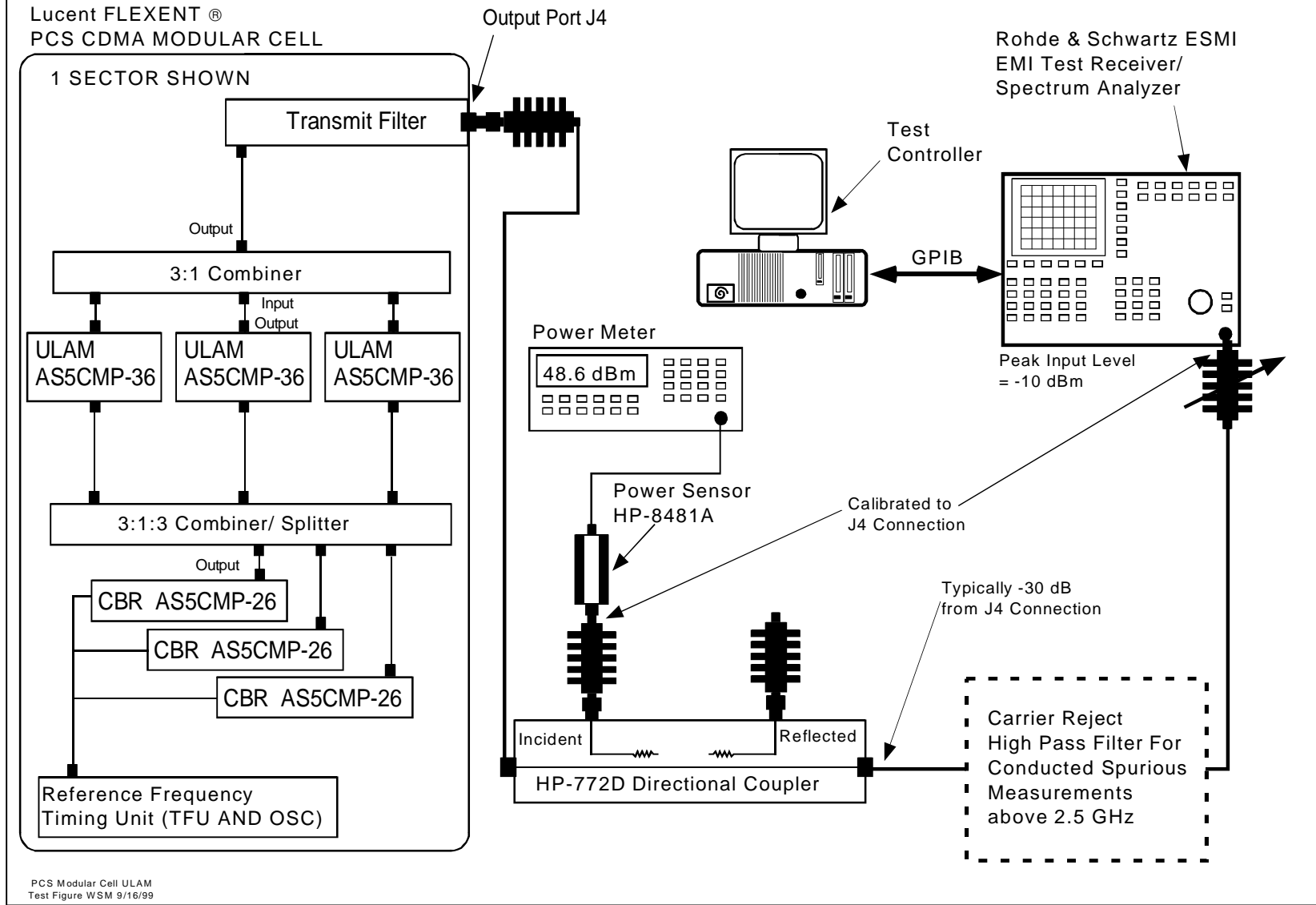


Exhibit 14 continued Figure 14B Occupied Bandwidth Mask

