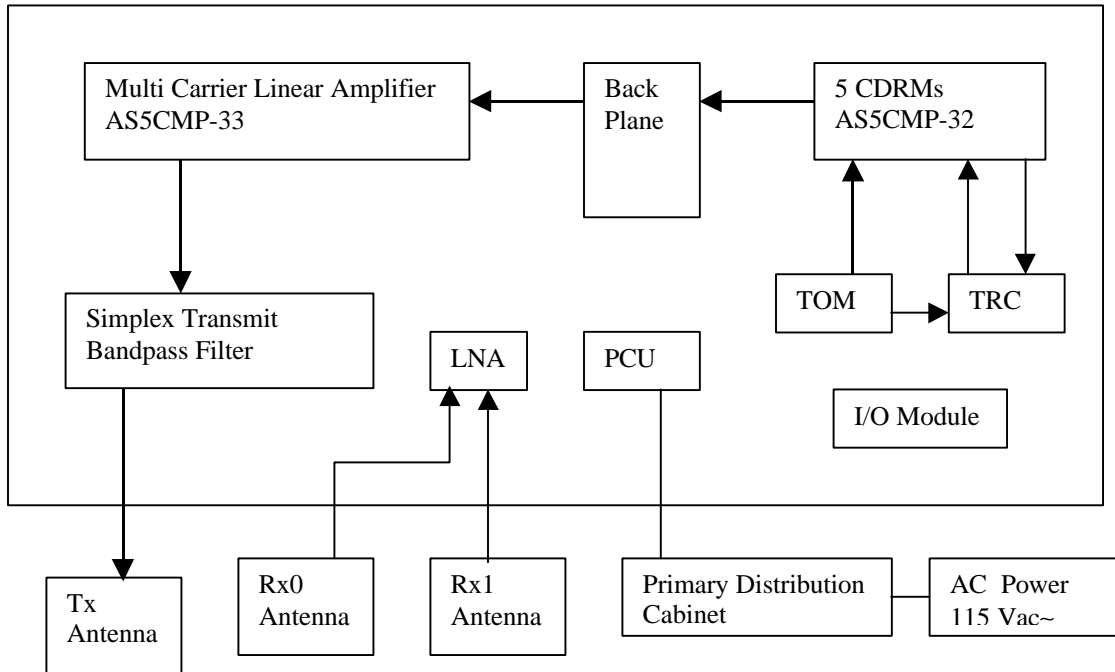


EXHIBIT 22

EQUIPMENT BLOCK DIAGRAM

FLEXENT™ Cellular TDMA Microcell J41698B-1



TOM: TDMA Oscillator Module
TRC: TDMA Radio Controller
PCU: Power Conversion Unit
CDRM: Cellular TDMA Dual Radio Module Transceiver
LNA: Low Noise Amplifier (receive)