

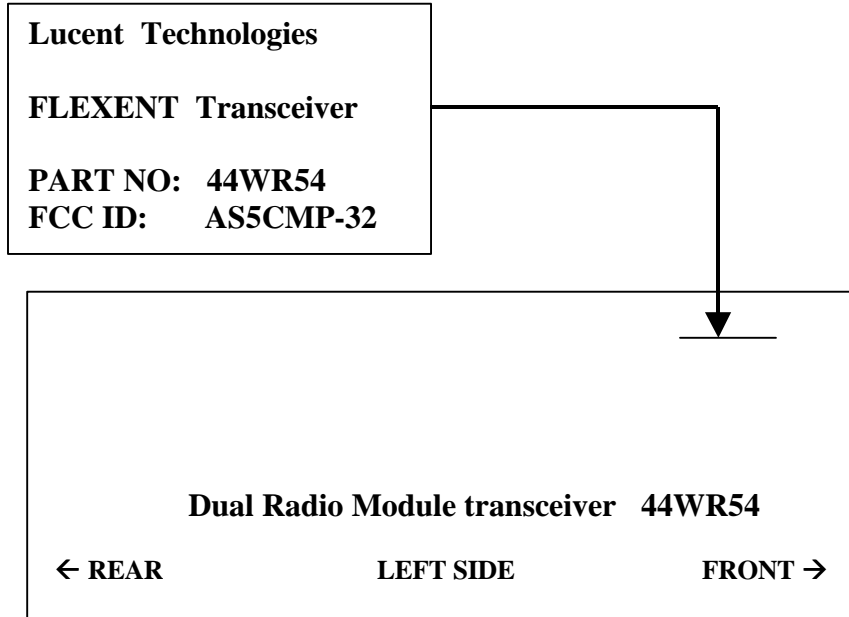
**APPLICANT: Lucent Technologies**

**FCC ID: AS5CMP-32**

**EXHIBIT 9**

**Section 2.1033 (c)(11) EQUIPMENT IDENTIFICATION LABEL.**

The equipment label to be affixed to the FLEXENT™ Cellular TDMA/Analog Dual Radio Module transceiver, 44WR54, will contain the following information. The engineering drawing of the label is attached to this exhibit. This is the same as previously submitted in the initial application for certification under AS5CMP-32. There is no change for this Class II Permissive Change request.

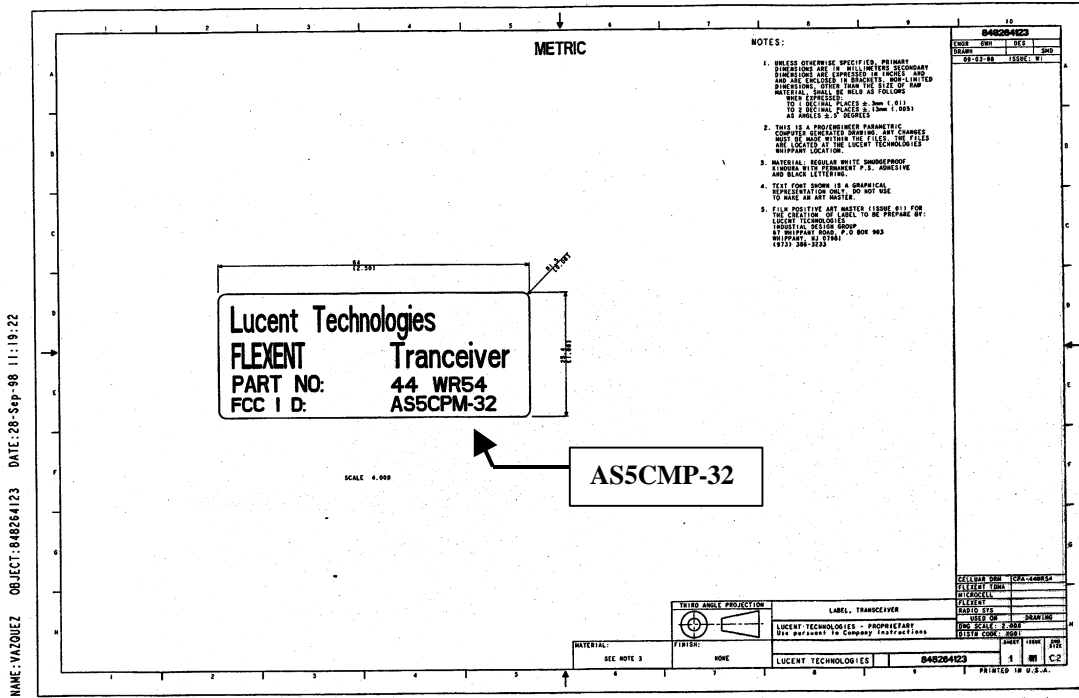


APPLICANT: Lucent Technologies

FCC ID: AS5CMP-32

EXHIBIT 9

Engineering Drawing of the equipment label to be displayed on the Cellular TDMA/Analog Dual Radio Module (CDRM), 44WR54, FCC ID: AS5CMP-32.



APPLICANT: Lucent Technologies

FCC ID: AS5CMP-32

EXHIBIT 9

Section 2.1033 (c)(12): PHOTOGRAPHS OF THE EQUIPMENT.

LABEL PLACEMENT

FLEXENT™ Cellular TDMA/Analog Dual Radio Module Transceiver: Front and Left Side View

