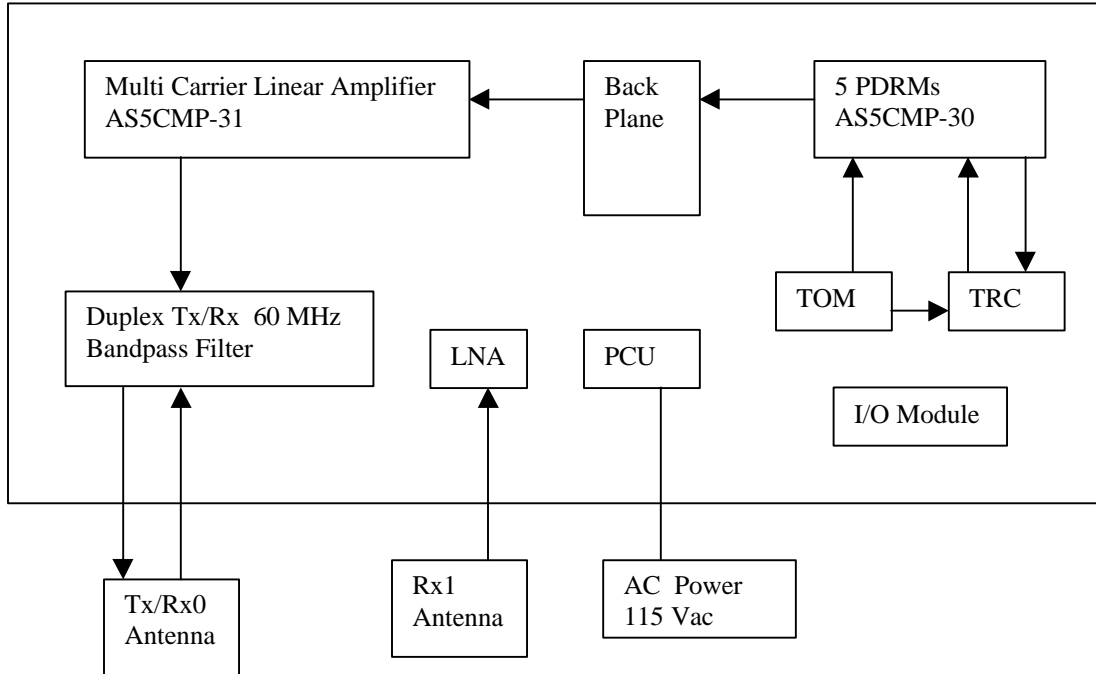


EXHIBIT 22

EQUIPMENT BLOCK DIAGRAM

FLEXENT™ PCS-TDMA Microcell J41698A-1



TOM: TDMA Oscillator Module
TRC: TDMA Radio Controller
PCU: Power Conversion Unit
PDRM: PCS-TDMA Dual Radio Module Transceiver
LNA: Low Noise Amplifier (receive)