

EXHIBIT 7**Section 2.1033 (b)(7) EQUIPMENT IDENTIFICATION LABEL**


Photographs (8 x 10) of the equipment of sufficient clarity to show the required identification label in sufficient detail so that the name and FCC identifier can be read. In lieu of a photograph of the label, a sample label (or facsimile thereof) may be submitted together with a sketch showing where this label will be placed on the equipment. Smaller photographs may be submitted provided they are sharp and clear, show the necessary detail, and are mounted on 8.5×11 inch paper. A sample label or facsimile together with the sketch showing the placement of this label shall be on the same size paper.

Response

A photograph of the FCC identification label to be affixed is provided below. In addition, the sample FCC label together with the sketch showing the possible placement of this label are attached to this exhibit. and the drawing of the equipment identification label to be affixed.

FCC-Label
(size 35 x 20 mm)

Alcatel-Lucent logo: 6mm height
FCC-ID : 12 digits alphanumeric

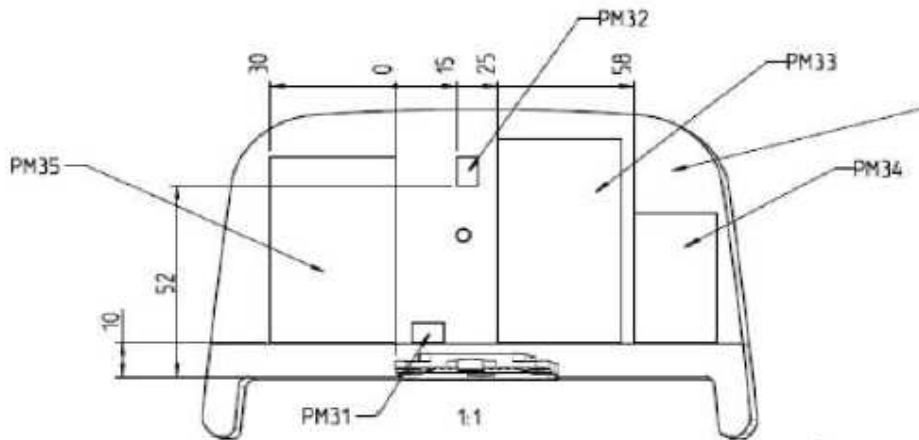
Alcatel-Lucent 

FCC
ID:

AS5BBTRX-10A

6 POSITION OF LABEL ON PRODUCT

See placements per Assembly drawing



3BK6 1061*	PM33
3BK6 1062*	PM34
3BK6 1060*	PM35