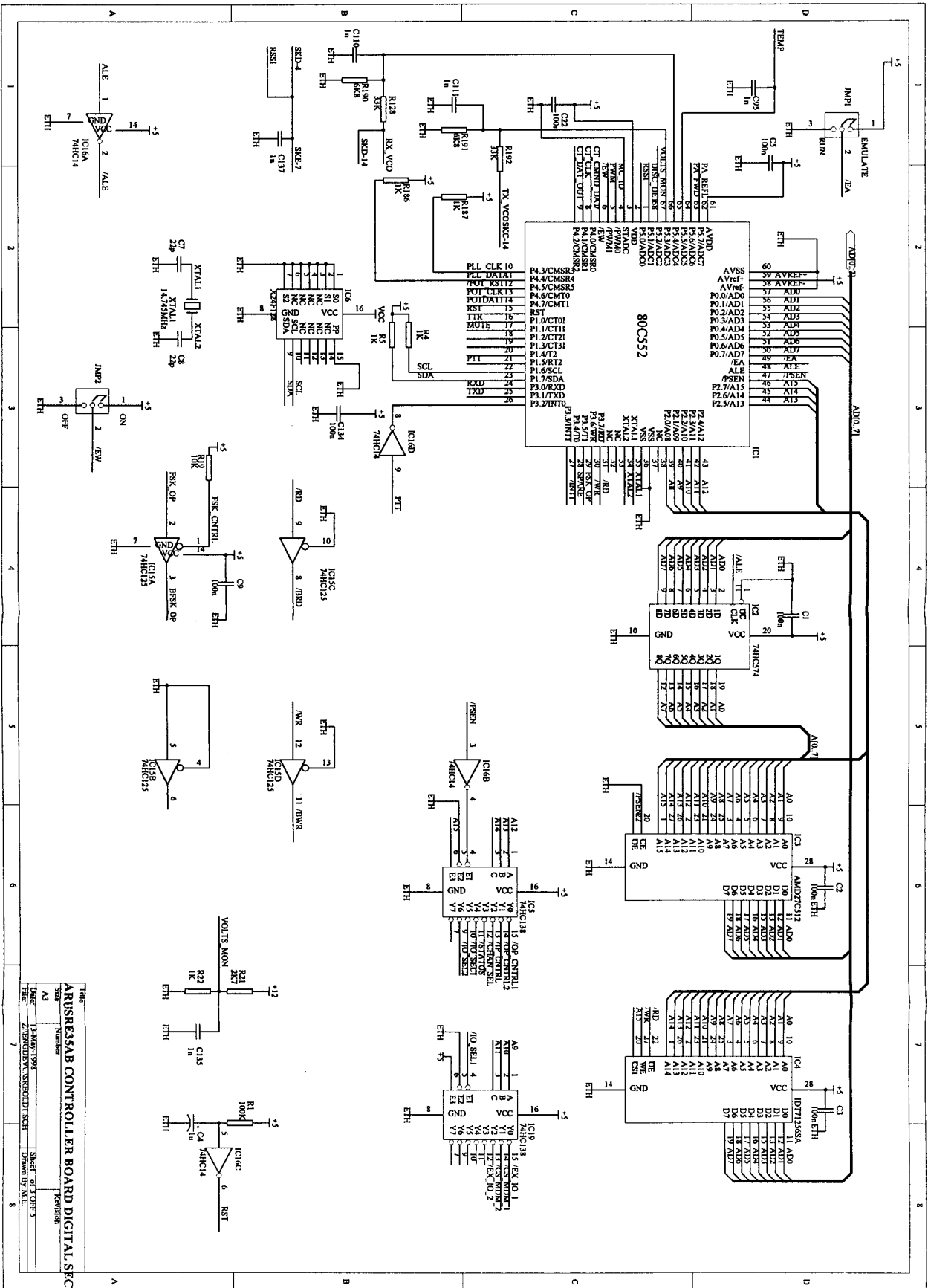


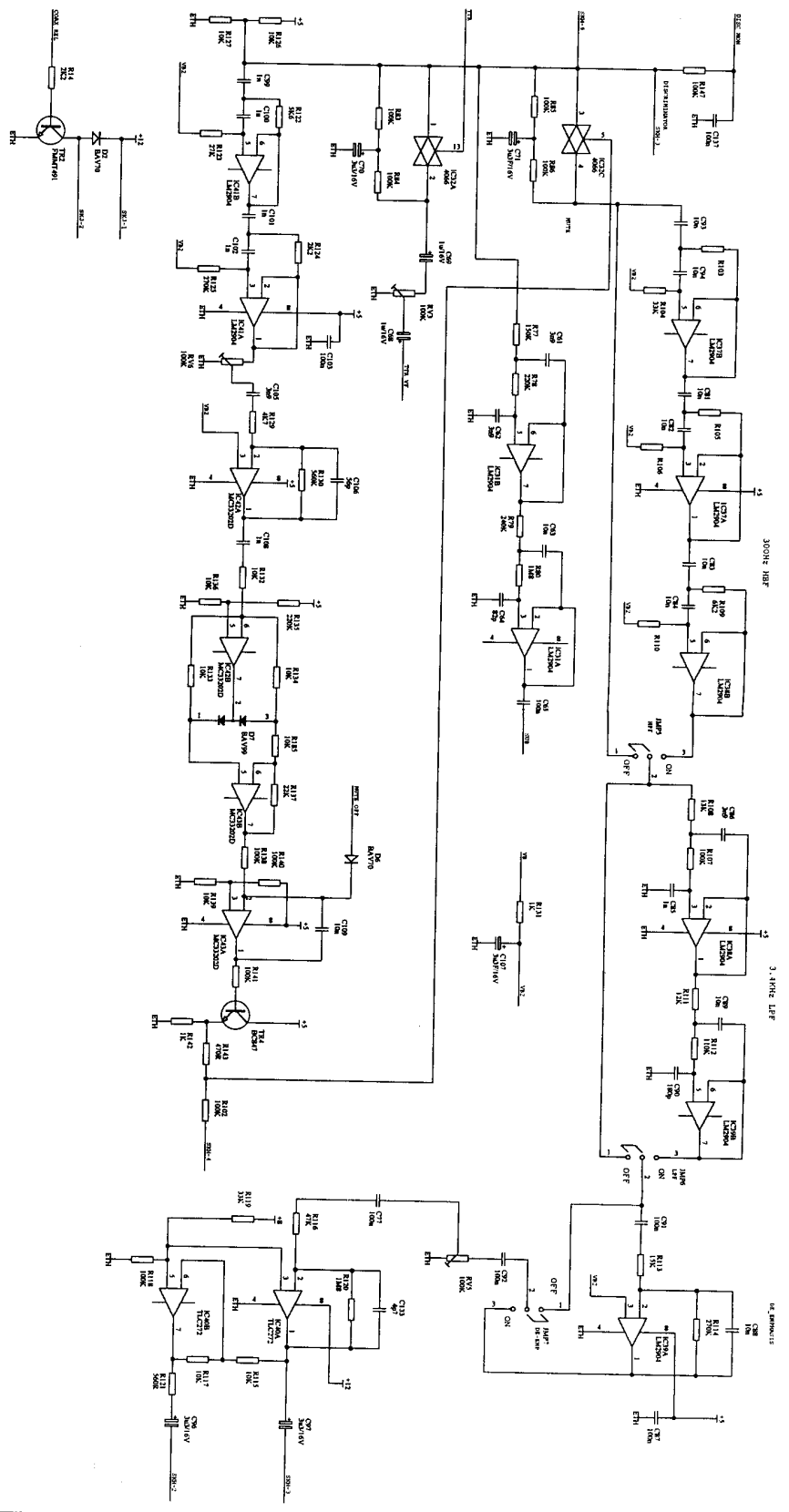
* RESISTOR = 420R FOR RED LED, 200R FOR OTHERS.

ARUNRESAB CONTROLLER BOARD DIGITAL SECTION			
Rev	Size	Number	Revision
A3			
SHEET OF 1 OF 5			
DRAWN BY: M.T.			
CHECKED BY: SURESH SETHI			
DATE: 15/07/99			



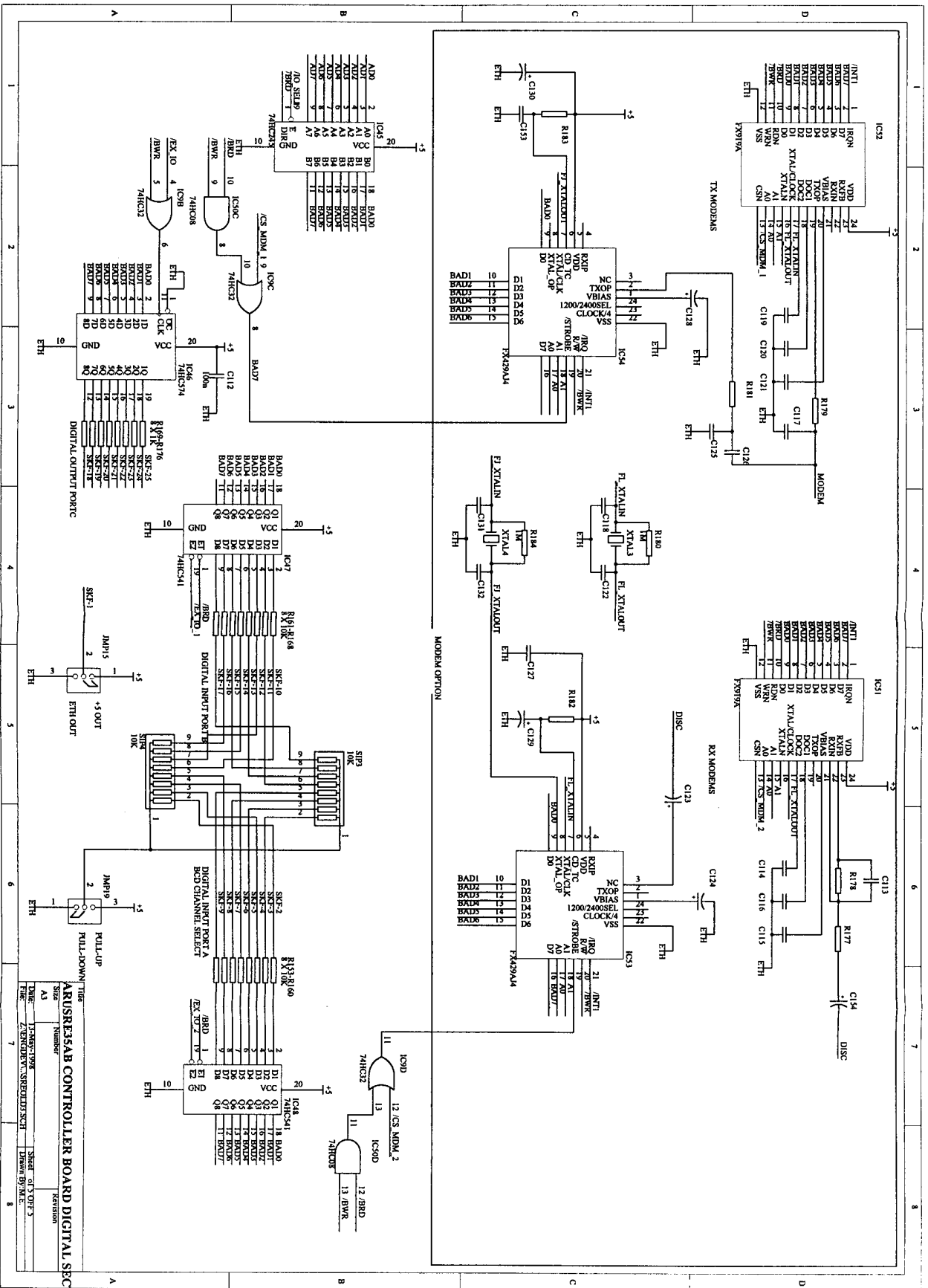
TITLE: ARUES3AB CONTROLLER BOARD DIGITAL SECTION
 NUMBER: 1099
 DATE: 2/8/80
 DRAWN BY: M.E.
 CHECKED BY: M.E.
 DESIGNED BY: M.E.

FILTER VALUES	
COMPONENT ID	R107 R108 R109 R110 R111 R112 R113 R114 R115 R116 R117
BESSEL BUILD	21K 10K 100K 400K 20K 10K 100K 400K
EMACO BUILD	22K 10K 100K 500K 22K 10K 100K 500K



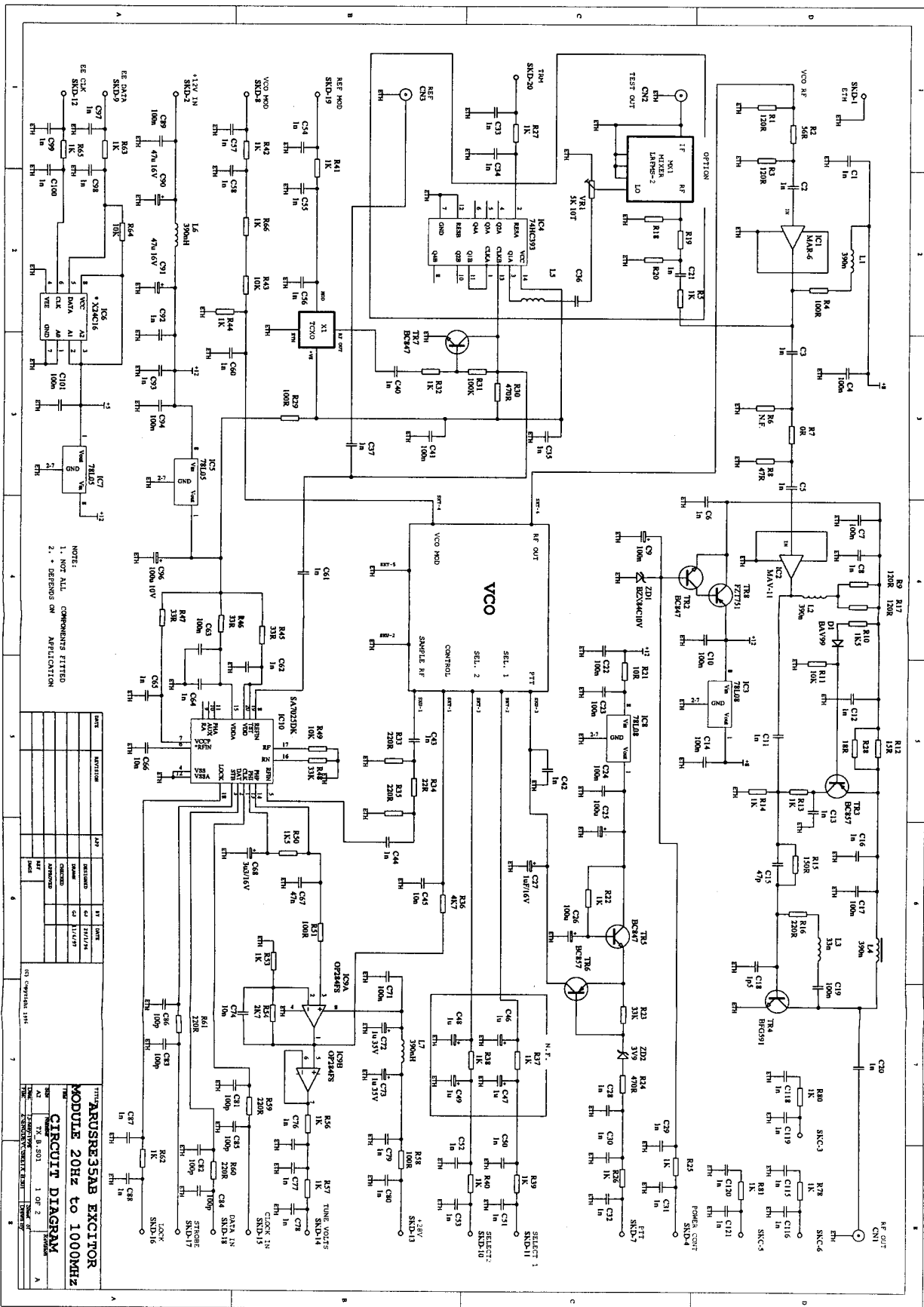
DATE	REVISION	BY	CHKD

TITLE: **AMSR35AB CONTROLLER BOARD RECEIVER DEMODULATION SECTION**
 PART: **RECEIVER**
 DRAWING NO: **2 OF 5**
 DATE: **10/1/74**
 DESIGNED BY: **SKS**
 CHECKED BY: **SKS**
 APPROVED BY: **SKS**
 CO. CRYSTAL
 2 OF 5 PARTS
 A



ARJUSRE35AB CONTROLLER BOARD DIGITAL SECTION

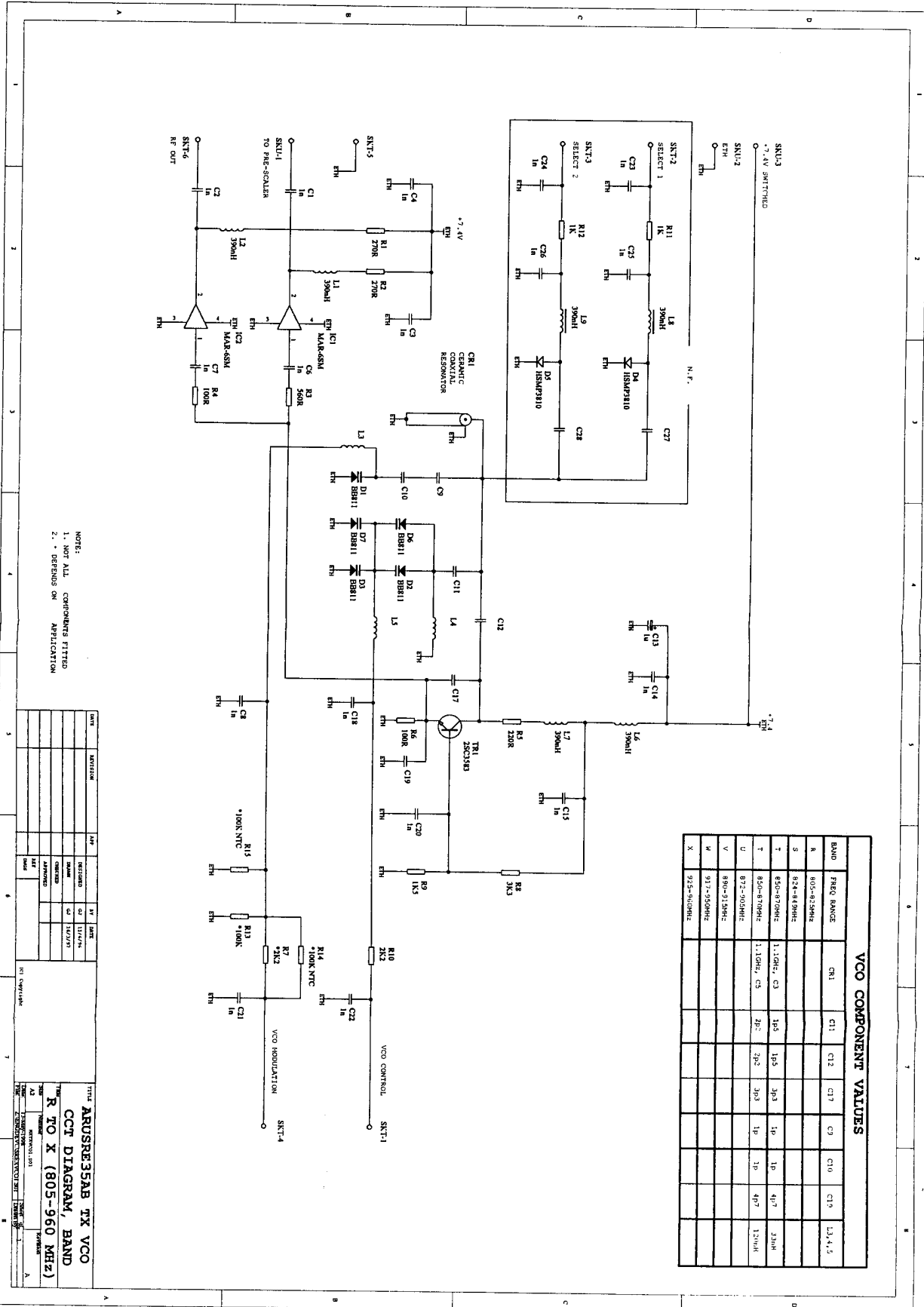
Size	Number	Revision
A3	1	1
DATE	2/20/00	DESIGNED BY: SBERG/MS/SC/1
DATE	2/20/00	REVISION
		SHEET 31 OF 30 PAGES
		BOARD OF 100'S



NOTE:
 1. NOT ALL COMPONENTS FITTED
 2. * DENOTES ON APPLICATION

QTY	DESCRIPTION	REF	DATE
1	RESISTOR	R1	17/1/78
1	RESISTOR	R2	17/1/78
1	RESISTOR	R3	17/1/78
1	RESISTOR	R4	17/1/78
1	RESISTOR	R5	17/1/78
1	RESISTOR	R6	17/1/78
1	RESISTOR	R7	17/1/78
1	RESISTOR	R8	17/1/78
1	RESISTOR	R9	17/1/78
1	RESISTOR	R10	17/1/78
1	RESISTOR	R11	17/1/78
1	RESISTOR	R12	17/1/78
1	RESISTOR	R13	17/1/78
1	RESISTOR	R14	17/1/78
1	RESISTOR	R15	17/1/78
1	RESISTOR	R16	17/1/78
1	RESISTOR	R17	17/1/78
1	RESISTOR	R18	17/1/78
1	RESISTOR	R19	17/1/78
1	RESISTOR	R20	17/1/78
1	RESISTOR	R21	17/1/78
1	RESISTOR	R22	17/1/78
1	RESISTOR	R23	17/1/78
1	RESISTOR	R24	17/1/78
1	RESISTOR	R25	17/1/78
1	RESISTOR	R26	17/1/78
1	RESISTOR	R27	17/1/78
1	RESISTOR	R28	17/1/78
1	RESISTOR	R29	17/1/78
1	RESISTOR	R30	17/1/78
1	RESISTOR	R31	17/1/78
1	RESISTOR	R32	17/1/78
1	RESISTOR	R33	17/1/78
1	RESISTOR	R34	17/1/78
1	RESISTOR	R35	17/1/78
1	RESISTOR	R36	17/1/78
1	RESISTOR	R37	17/1/78
1	RESISTOR	R38	17/1/78
1	RESISTOR	R39	17/1/78
1	RESISTOR	R40	17/1/78

77TH ARVRES35AB EXCITOR
 MODULE 201z to 100MHz
 CIRCUIT DIAGRAM
 DATE: 17/1/78
 DRAWN BY: J. S. 2011
 CHECKED BY: J. S. 2011
 SCALE: 1 OF 2
 SHEET NO: 1

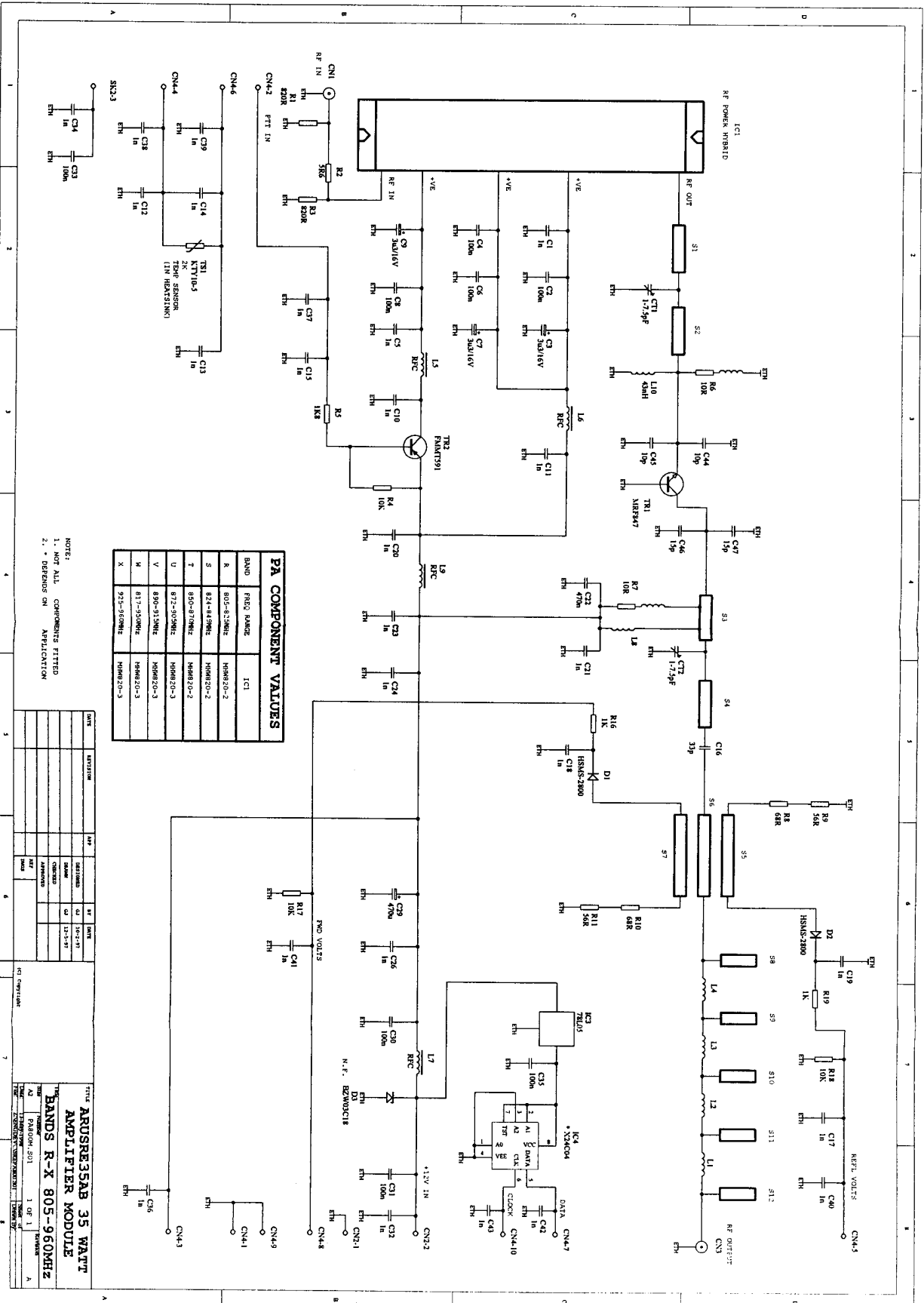


NOTE:
 1. NOT ALL COMPONENTS FITTED
 2. * DEPENDS ON APPLICATION

VCO COMPONENT VALUES									
BAND	FREQ RANGE	C81	C11	C12	C17	C9	C10	C19	LA, L5
R	805-812MHz								
S	824-849MHz								
T	850-870MHz	1p2	1p2	3p3	1p	1p	4p7		22nH
U	850-870MHz	2p2	2p2	3p3	1p	1p	4p7		12nH
V	880-913MHz								
W	917-950MHz								
X	925-950MHz								

REV	DESCRIPTION	BY	DATE
1	ISSUED	CD	11/7/78
2	REVISED	CD	11/27/78
3	REVISED	CD	11/27/78
4	REVISED	CD	11/27/78
5	REVISED	CD	11/27/78
6	REVISED	CD	11/27/78
7	REVISED	CD	11/27/78
8	REVISED	CD	11/27/78
9	REVISED	CD	11/27/78
10	REVISED	CD	11/27/78

TITLE ARUSRE35AB TX VCO
 CCT DIAGRAM, BAND
 R TO X (805-960 MHz)
 DATE 11/27/78
 DRAWN BY CD
 CHECKED BY CD
 APPROVED BY CD
 IN CHARGE CD



PA COMPONENT VALUES

BAND	FREQ. RANGE	IC1
R	805-823MHz	HNH820-2
S	824-843MHz	HNH820-2
T	850-870MHz	HNH820-2
U	872-892MHz	HNH820-3
V	890-915MHz	HNH820-3
H	817-850MHz	HNH820-3
X	925-960MHz	HNH820-3

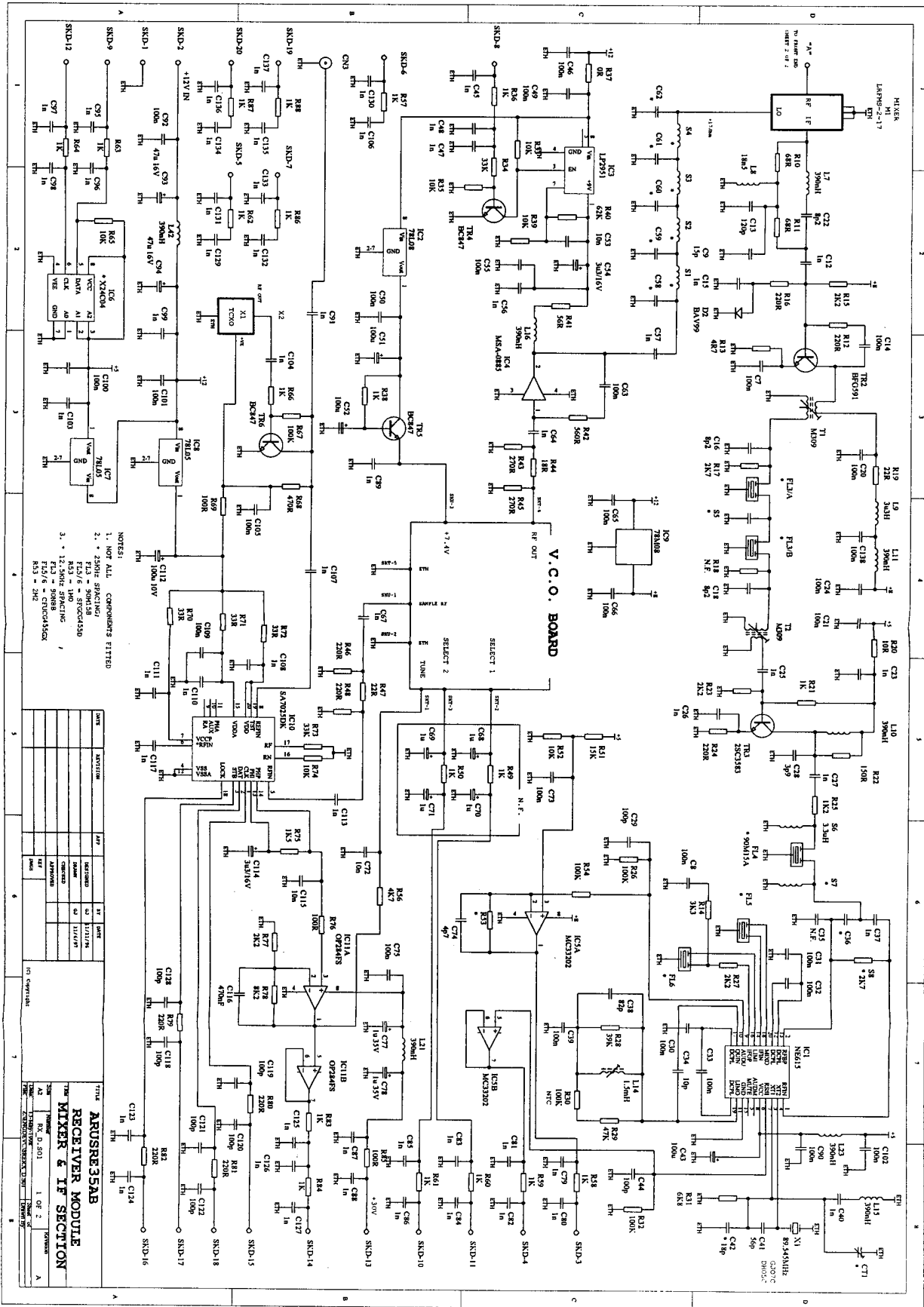
NOTE:
 1. NOT ALL COMPONENTS FITTED
 2. * DENOTES ON APPLICATION

DATE	REVISION	BY	CHKD	APP'D

REV	DESCRIPTION	DATE
1	INITIAL REV	
2	REVISED	
3	REVISED	
4	REVISED	
5	REVISED	
6	REVISED	
7	REVISED	
8	REVISED	
9	REVISED	

REV	DESCRIPTION	DATE
1	INITIAL REV	
2	REVISED	
3	REVISED	
4	REVISED	
5	REVISED	
6	REVISED	
7	REVISED	
8	REVISED	
9	REVISED	

TYPE: ARUSRE35AB 35 WATT
 AMPLIFIER MODULE
 BANDS R-X 805-960MHz



- NOTES:
1. NOT ALL COMPONENTS FITTED
 2. 250K SENSITIVITY
 3. 12.5dB SINAD
 4. 10dB SINAD
 5. 10dB SINAD
 6. 10dB SINAD
 7. 10dB SINAD

REF	DESCRIPTION	QTY	UNIT	REF	DESCRIPTION	QTY	UNIT
1	RESISTOR	100	Ω	1	RESISTOR	100	Ω
2	RESISTOR	100	Ω	2	RESISTOR	100	Ω
3	RESISTOR	100	Ω	3	RESISTOR	100	Ω
4	RESISTOR	100	Ω	4	RESISTOR	100	Ω
5	RESISTOR	100	Ω	5	RESISTOR	100	Ω
6	RESISTOR	100	Ω	6	RESISTOR	100	Ω
7	RESISTOR	100	Ω	7	RESISTOR	100	Ω
8	RESISTOR	100	Ω	8	RESISTOR	100	Ω
9	RESISTOR	100	Ω	9	RESISTOR	100	Ω
10	RESISTOR	100	Ω	10	RESISTOR	100	Ω
11	RESISTOR	100	Ω	11	RESISTOR	100	Ω
12	RESISTOR	100	Ω	12	RESISTOR	100	Ω
13	RESISTOR	100	Ω	13	RESISTOR	100	Ω
14	RESISTOR	100	Ω	14	RESISTOR	100	Ω
15	RESISTOR	100	Ω	15	RESISTOR	100	Ω
16	RESISTOR	100	Ω	16	RESISTOR	100	Ω
17	RESISTOR	100	Ω	17	RESISTOR	100	Ω
18	RESISTOR	100	Ω	18	RESISTOR	100	Ω
19	RESISTOR	100	Ω	19	RESISTOR	100	Ω
20	RESISTOR	100	Ω	20	RESISTOR	100	Ω
21	RESISTOR	100	Ω	21	RESISTOR	100	Ω
22	RESISTOR	100	Ω	22	RESISTOR	100	Ω
23	RESISTOR	100	Ω	23	RESISTOR	100	Ω
24	RESISTOR	100	Ω	24	RESISTOR	100	Ω
25	RESISTOR	100	Ω	25	RESISTOR	100	Ω
26	RESISTOR	100	Ω	26	RESISTOR	100	Ω
27	RESISTOR	100	Ω	27	RESISTOR	100	Ω
28	RESISTOR	100	Ω	28	RESISTOR	100	Ω
29	RESISTOR	100	Ω	29	RESISTOR	100	Ω
30	RESISTOR	100	Ω	30	RESISTOR	100	Ω
31	RESISTOR	100	Ω	31	RESISTOR	100	Ω
32	RESISTOR	100	Ω	32	RESISTOR	100	Ω
33	RESISTOR	100	Ω	33	RESISTOR	100	Ω
34	RESISTOR	100	Ω	34	RESISTOR	100	Ω
35	RESISTOR	100	Ω	35	RESISTOR	100	Ω
36	RESISTOR	100	Ω	36	RESISTOR	100	Ω
37	RESISTOR	100	Ω	37	RESISTOR	100	Ω
38	RESISTOR	100	Ω	38	RESISTOR	100	Ω
39	RESISTOR	100	Ω	39	RESISTOR	100	Ω
40	RESISTOR	100	Ω	40	RESISTOR	100	Ω
41	RESISTOR	100	Ω	41	RESISTOR	100	Ω
42	RESISTOR	100	Ω	42	RESISTOR	100	Ω
43	RESISTOR	100	Ω	43	RESISTOR	100	Ω
44	RESISTOR	100	Ω	44	RESISTOR	100	Ω
45	RESISTOR	100	Ω	45	RESISTOR	100	Ω
46	RESISTOR	100	Ω	46	RESISTOR	100	Ω
47	RESISTOR	100	Ω	47	RESISTOR	100	Ω
48	RESISTOR	100	Ω	48	RESISTOR	100	Ω
49	RESISTOR	100	Ω	49	RESISTOR	100	Ω
50	RESISTOR	100	Ω	50	RESISTOR	100	Ω

ARUSRE 35AB RECEIVER MIXER & IF SECTION

1 OF 2

REV. 1.0

DATE: 1/1/74

DRAWN BY: [Name]

CHECKED BY: [Name]

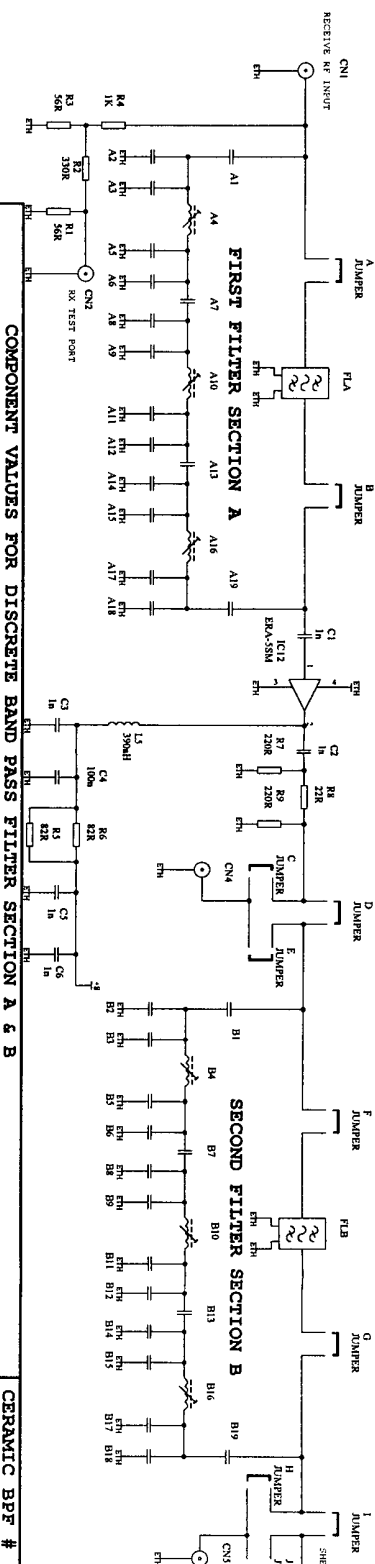
APPROVED BY: [Name]

SCALE: 1:1

NO. OF SHEETS: 2

SHEET NO.: 1

PROJECT: ARUSRE 35AB



COMPONENT VALUES FOR DISCRETE BAND PASS FILTER SECTION A & B

BAND ALLOC	FILTER BW	A1, B1	A2, B2	A3, B3	A4, B4	A5, B5	A6, B6	A7, B7	A8, B8	A9, B9	A10, B10	A11, B11	A12, B12	A13, B13	A14, B14	A15, B15	A16, B16	A17, B17	A18, B18	A19, B19	CERAMIC BPF #
A	66-820MHz	10p	-	47p	5.5T	-	47p	82p	-	47p	5.5T	47p	-	82p	-	47p	5.5T	47p	-	100p	FLA / FLB
B	70-88MHz	-	-	-	-	-	-	-	-	-	-	-	-	-	-	-	-	-	-	-	-
C	133-160MHz	18p	-	10p	5.5T	-	15p	12p	3p9	10p	3.5T	10p	3p9	12p	-	15p	5.5T	10p	-	18p	-
D ON D3	155-180MHz	-	-	-	-	-	-	-	-	-	-	-	-	-	-	-	-	-	-	-	-
E	175-200MHz	-	-	-	-	-	-	-	-	-	-	-	-	-	-	-	-	-	-	-	-
F	195-220MHz	15p	-	6p8	5.5T	-	6p8	3p9	-	8p2	5.5T	8p2	-	3p9	-	6p8	5.5T	6p8	-	15p	-
G	220-250MHz	-	-	-	-	-	-	-	-	-	-	-	-	-	-	-	-	-	-	-	-
H	245-275MHz	-	-	-	-	-	-	-	-	-	-	-	-	-	-	-	-	-	-	-	-
I	270-300MHz	-	-	-	-	-	-	-	-	-	-	-	-	-	-	-	-	-	-	-	-
J	295-325MHz	-	-	-	-	-	-	-	-	-	-	-	-	-	-	-	-	-	-	-	-
K	320-350MHz	10p	-	15p	2.5T	2p7	6p8	3p9	5p6	6p8	2.5T	6p8	3p9	2p7	6p8	2.5T	15p	-	10p	-	-
L	345-375MHz	-	-	-	-	-	-	-	-	-	-	-	-	-	-	-	-	-	-	-	-
M	370-400MHz	4p7	-	8p2	2.5T	5p6	1p	2p2	1p	6p8	2.5T	6p8	1p	2p2	1p	5p6	2.5T	8p2	-	4p7	-
N	395-430MHz	-	-	-	-	-	-	-	-	-	-	-	-	-	-	-	-	-	-	-	-
O	400-435MHz	-	-	-	-	-	-	-	-	-	-	-	-	-	-	-	-	-	-	-	-
P	435-460MHz	3p9	-	5p6	2.5T	4p7	-	3p9/0603	2p2	3p9	2.5T	3p9	2p2	3p9/0603	-	4p7	2.5T	5p6	-	3p9	-
Q	450-485MHz	3p9	-	5p6	2.5T	-	3p9	1p2	1p8	3p3	2.5T	3p3	1p2	1p8	-	3p9	2.5T	5p6	-	3p9	-
R	485-520MHz	3p9	-	5p6	2.5T	-	3p9	1p2	1p8	3p3	2.5T	3p3	1p2	1p8	-	3p9	2.5T	5p6	-	3p9	-
Q2	500-535MHz	3p9	-	5p6	2.5T	-	3p9	1p2	1p8	3p3	2.5T	3p3	1p2	1p8	-	3p9	2.5T	5p6	-	3p9	-
S	600-825MHz	-	-	-	-	-	-	-	-	-	-	-	-	-	-	-	-	-	-	-	-
T	850-870MHz	-	-	-	-	-	-	-	-	-	-	-	-	-	-	-	-	-	-	-	-
U	872-905MHz	-	-	-	-	-	-	-	-	-	-	-	-	-	-	-	-	-	-	-	-
V	890-915MHz	-	-	-	-	-	-	-	-	-	-	-	-	-	-	-	-	-	-	-	-
W	917-950MHz	-	-	-	-	-	-	-	-	-	-	-	-	-	-	-	-	-	-	-	-
X	925-960MHz	-	-	-	-	-	-	-	-	-	-	-	-	-	-	-	-	-	-	-	-

ARUR35AB RECEIVER MODULE FRONT END SECTION

DATE	REV	BY	CHK

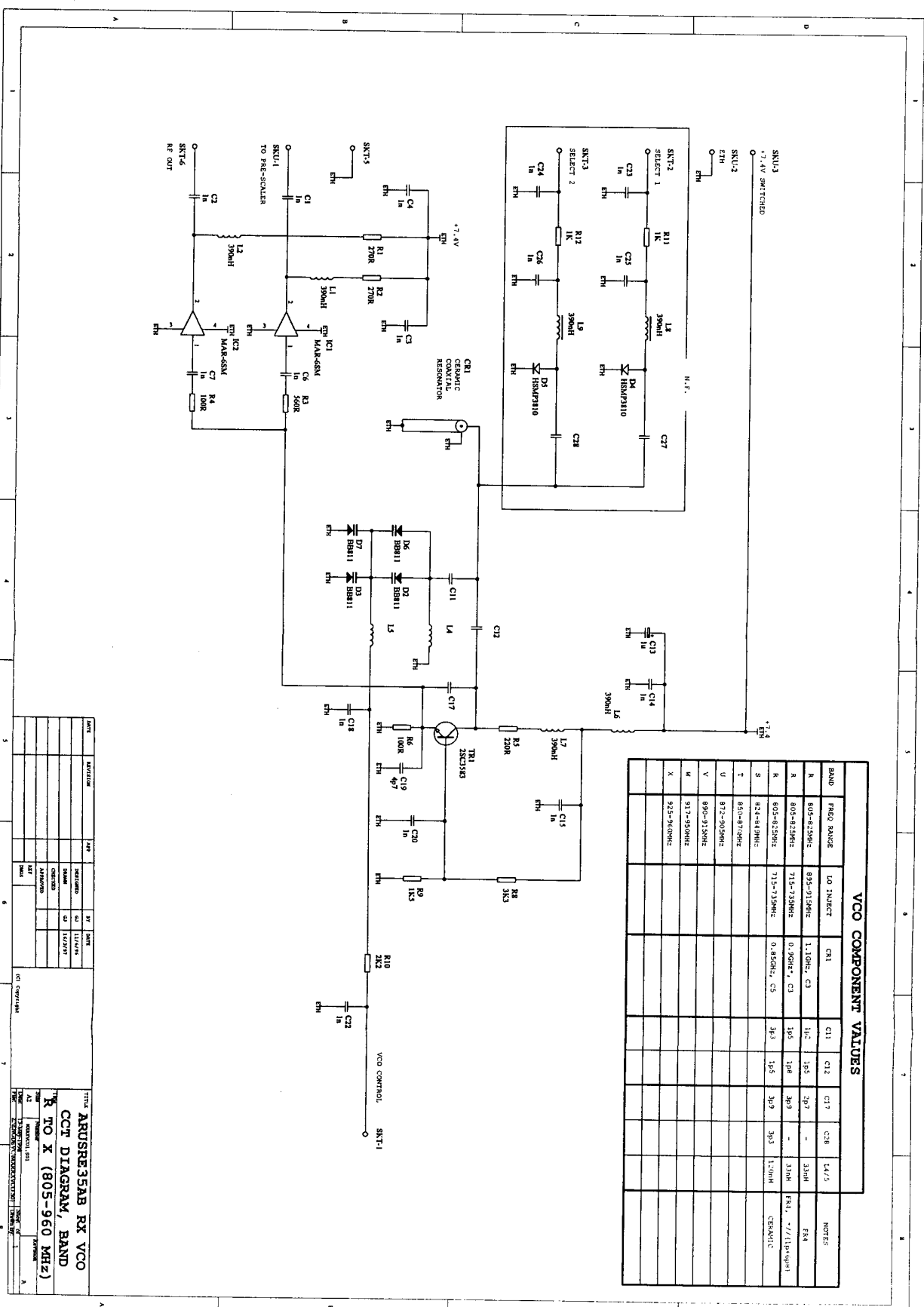
10 CONTINUED

THE ARUR35AB RECEIVER MODULE FRONT END SECTION

REV. 10-80

PAGE 2 OF 2

FORM A



VCO COMPONENT VALUES

BAND	FREQ RANGE	L0 INDUCT	CR1	C11	C12	C13	CR2	L4/L5	NOTES
R	805-815MHz	895-910MHz	1.10MHz, C3	1u	1p5	3p7	-	30MHz	FR1
R	805-825MHz	715-720MHz	0.90MHz, C3	1p5	1p8	3p9	-	30MHz	FR1, +7/110-4pH1
R	805-835MHz	715-735MHz	0.85MHz, C5	5p3	1p5	3p9	3p3	120MHz	CEBANK
S	824-830MHz								
T	850-875MHz								
U	872-900MHz								
V	890-915MHz								
W	912-950MHz								
X	925-960MHz								

REV	DATE	BY	CHKD	DESCRIPTION
1	11/14/74	CD		
2	11/14/74	CD		
3	11/14/74	CD		
4	11/14/74	CD		
5	11/14/74	CD		
6	11/14/74	CD		
7	11/14/74	CD		
8	11/14/74	CD		
9	11/14/74	CD		
10	11/14/74	CD		

TITLE ARUSRE35AB RX VCO
 CCT DIAGRAM, BAND
 R TO X (805-960 MHz)