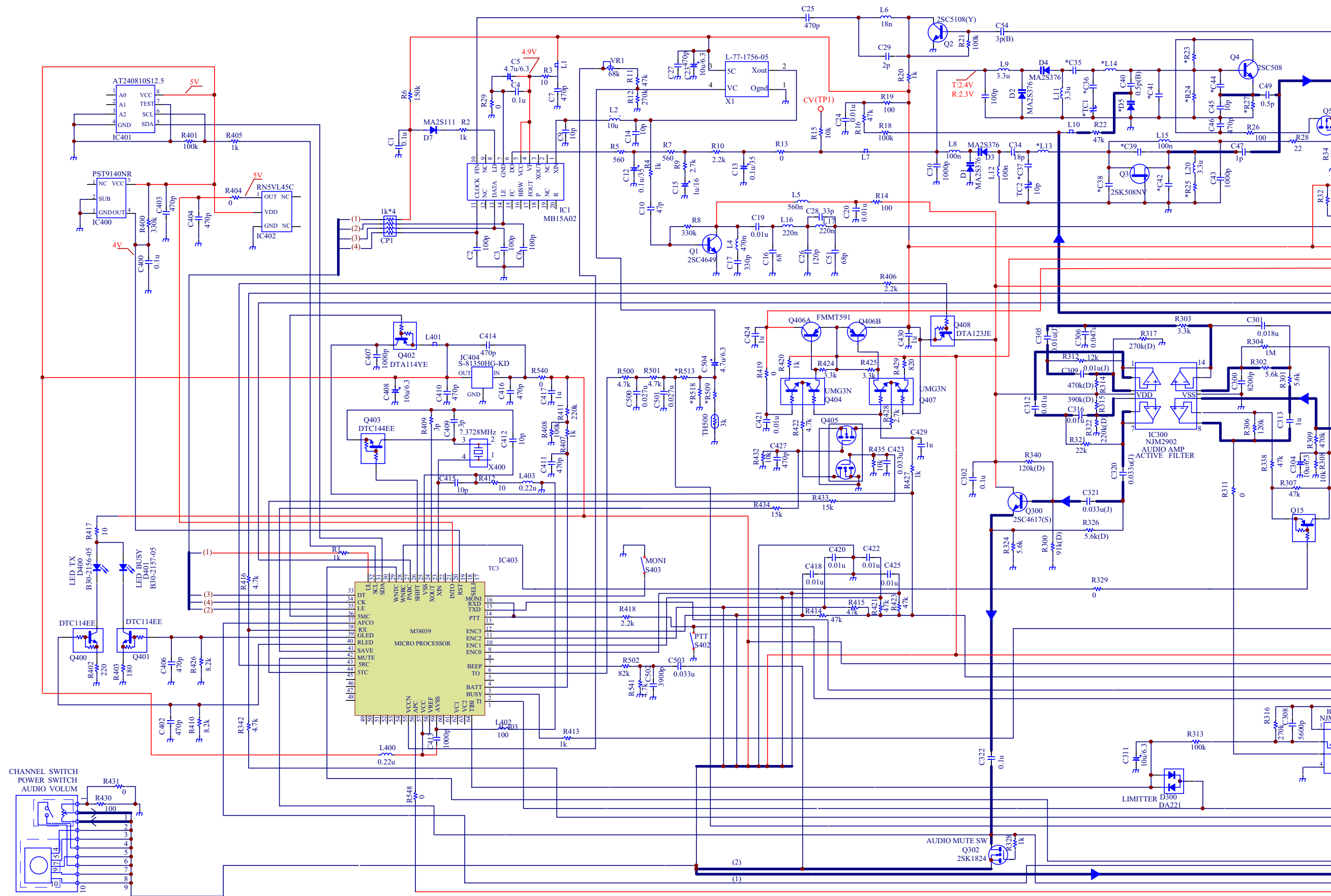


RPU416B Schematic Diagram



RPU416B Schematic Diagram

