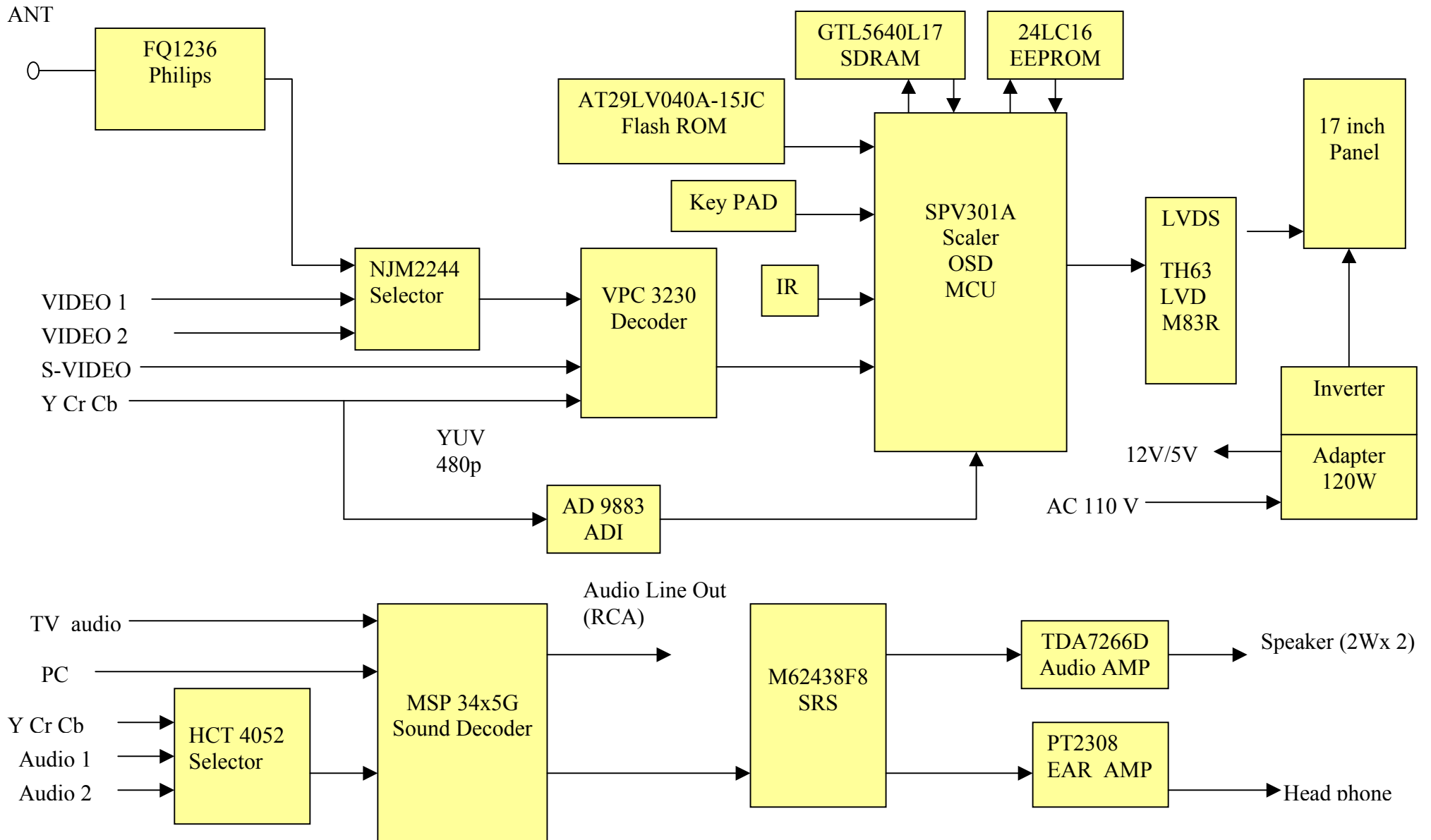


17" LCD TV Block Diagram



NOTE: .AV2 and S-VIDCO USE the same Audio Input