


# 5221RD1 Reference Design, with Video Inputs and Audio, for LVDS SXGA Panels

## CONTENTS For Legend REVISION HISTORY

SHEMATIC	SHEET
Contents	1
Top Level	2
Input	3
GM5221	4
Video Decoder	5
Audio	6
Display	7
POWER	8

Date	Author	Ver	Comments
2/9/2004	Rick	A	Initial draft
2/27/2004	Rick	B	<ol style="list-style-type: none"> <li>1. VGA_PLUG and IR were shorted, should be seperated.</li> <li>2. Added R336 for DVI detected</li> <li>3. Added Schmitt Trigger (Genesis Recommend U303)</li> <li>4. Change LED's circuit according to IC.</li> <li>5. Added BEAD for R,G,B</li> <li>6. Change circuit of DVI detector</li> <li>7. Add series resistance (R337, R338, R339) to reduce the bounce</li> <li>8. Corrected R801 &amp; R806 Value</li> <li>9. Change C805 type</li> </ol> <p>LENOVO 19"</p> <p>Test Model: LXM-L19BH</p> <p>Model No = LXM-L19**, LM9****, EV9****, TFT19 ****</p>

Approval	Organization	Signature
Andre Bower	Genesis Microchip	
Jack Wu	Genesis Microchip	



**1. Contents**

Title: \_\_\_\_\_

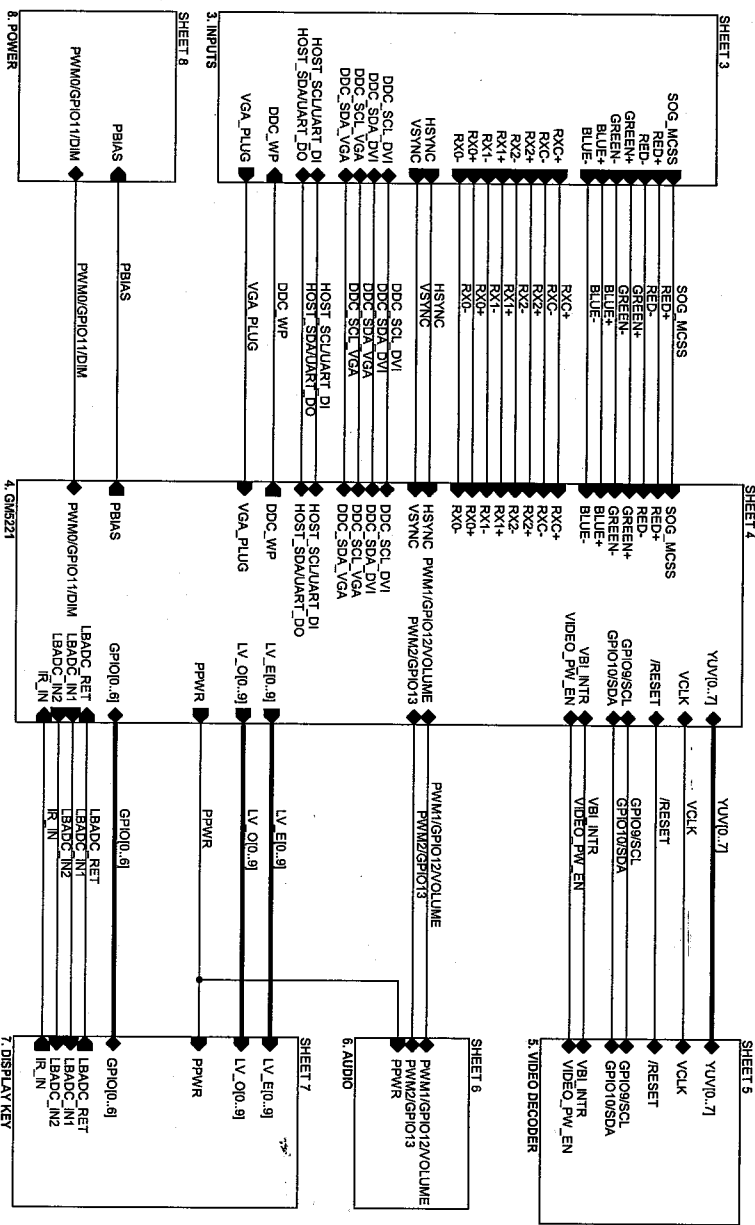
Size: A

Document Number: **715L1301-B.DSN**

Date: Tuesday, March 30, 2004

Sheet 1 of 8

Rev B



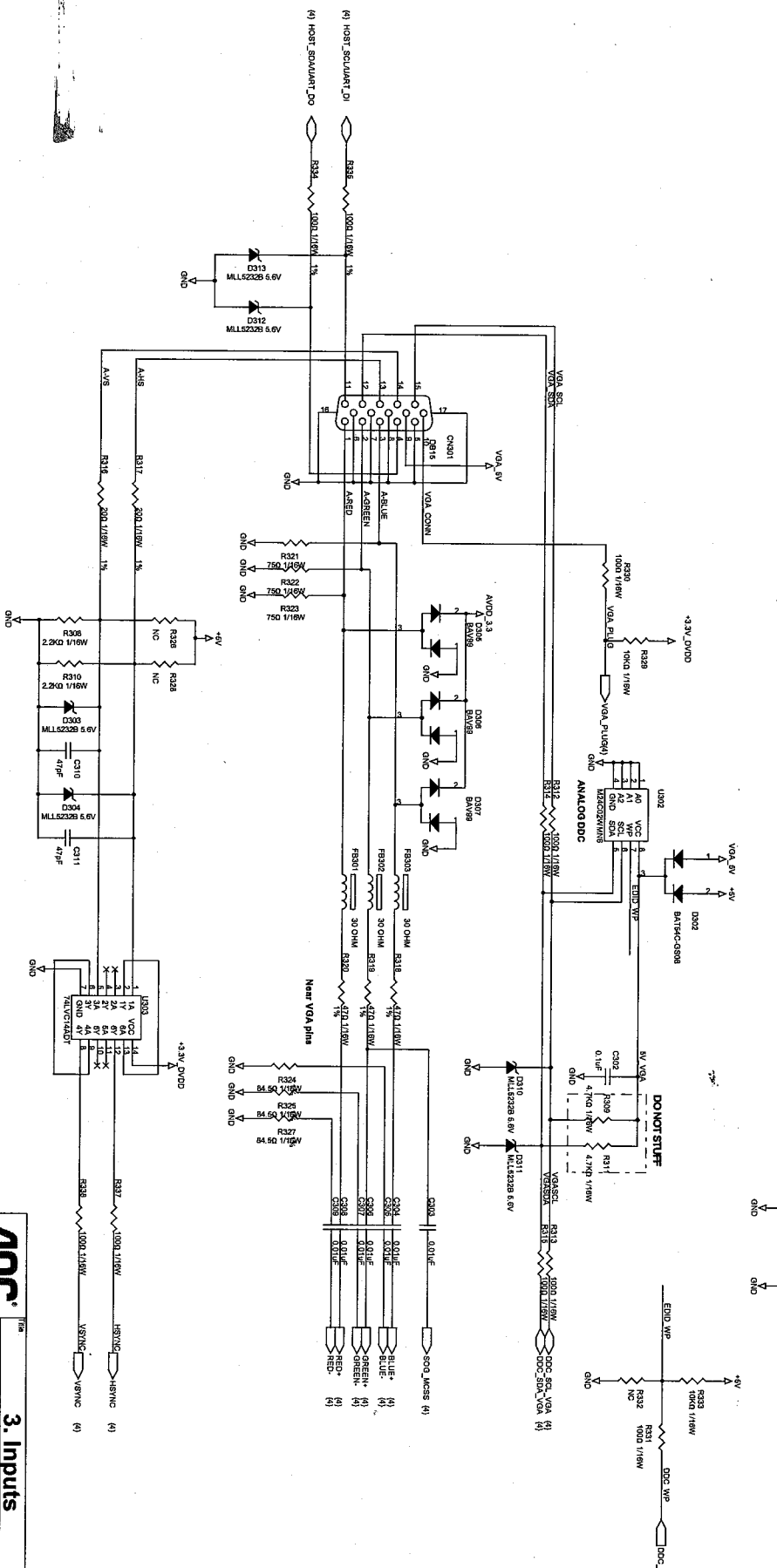
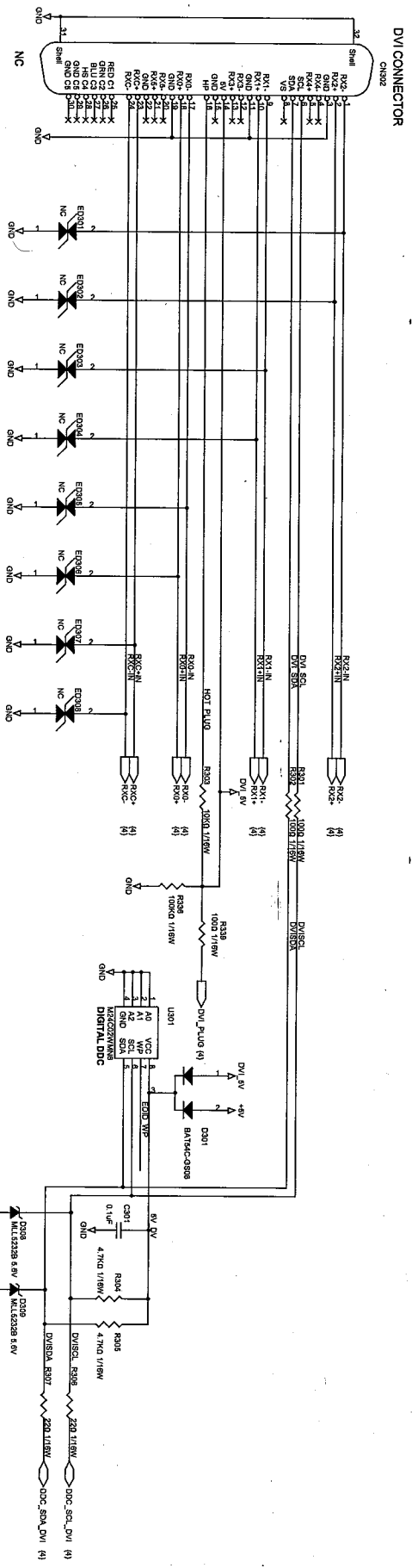
**NOC**  
 EYE BALL VALUE

Title: **2. Top Level**

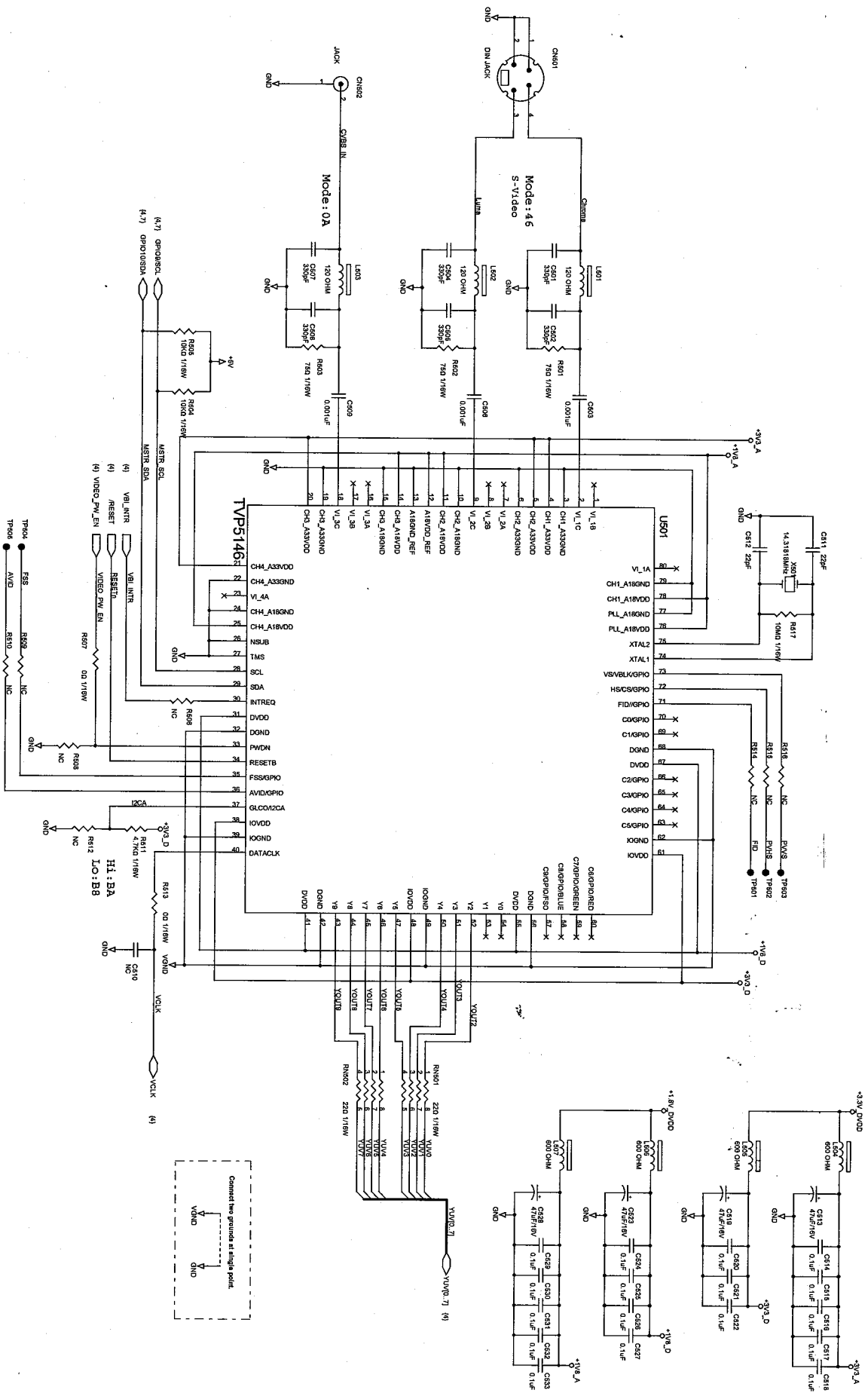
Size: B  
 Document Number: **715L1301-B DSN**

Date: Tuesday, March 30, 2004  
 Sheet: 2 of 8

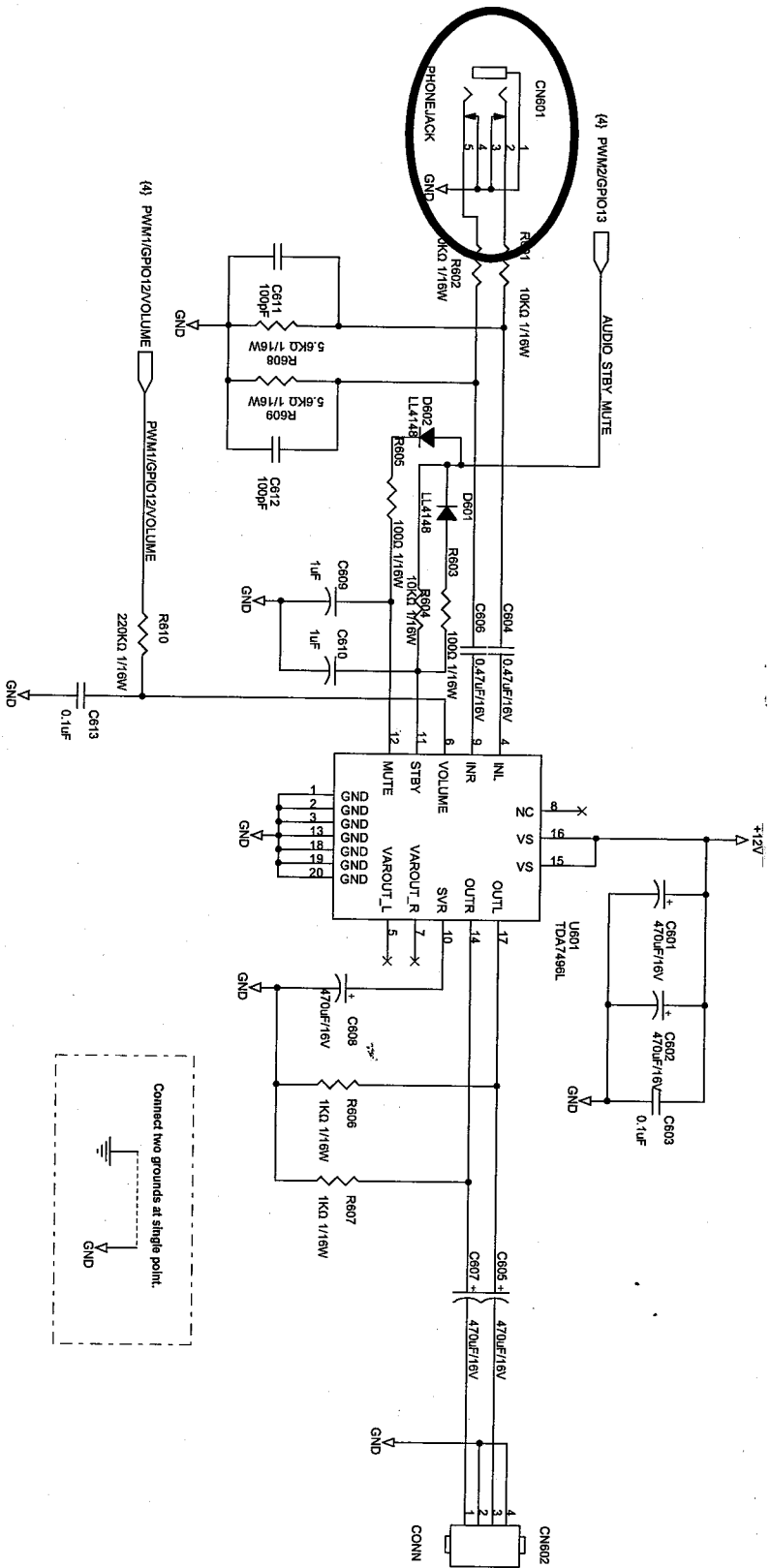
Rev: B







Connect two grounds at single point.



Connect two grounds at single point.

**NOCC**  
 REVERSE VALUE

Title: **6. AUDIO**

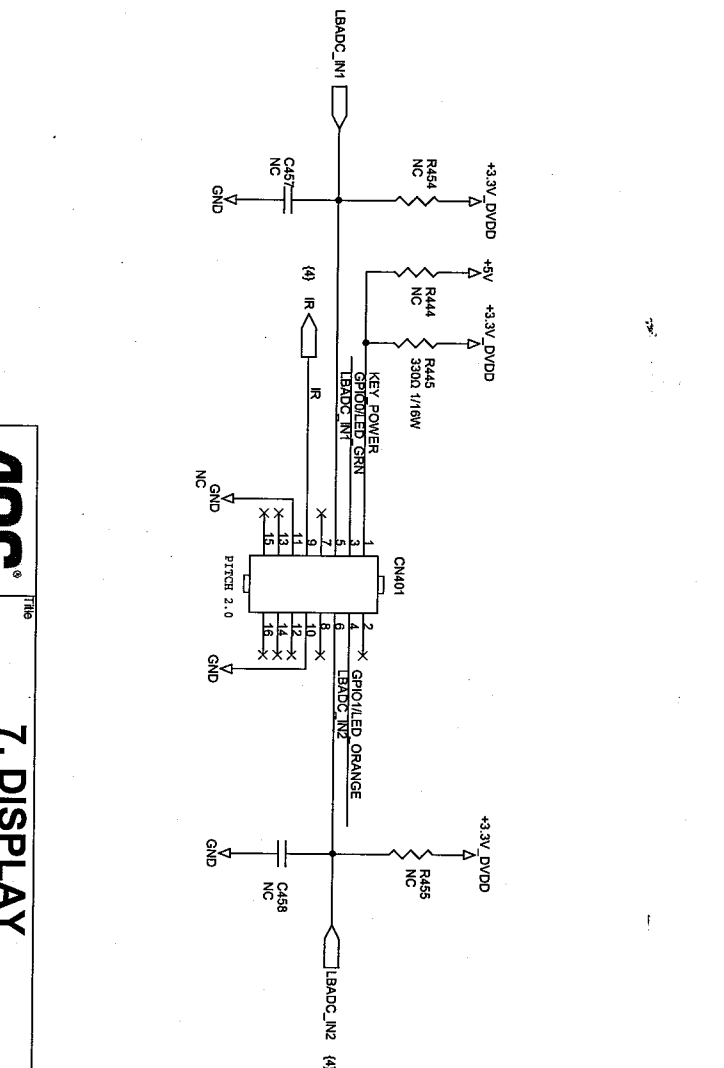
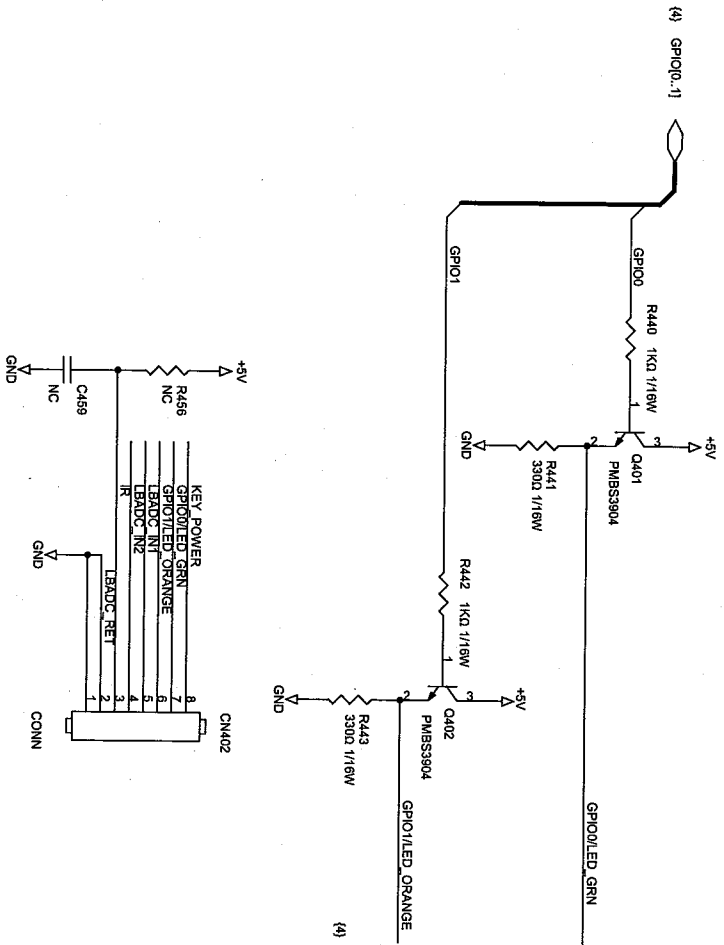
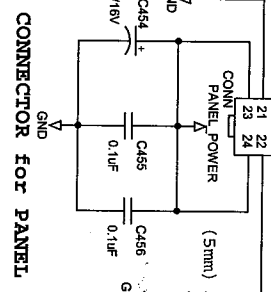
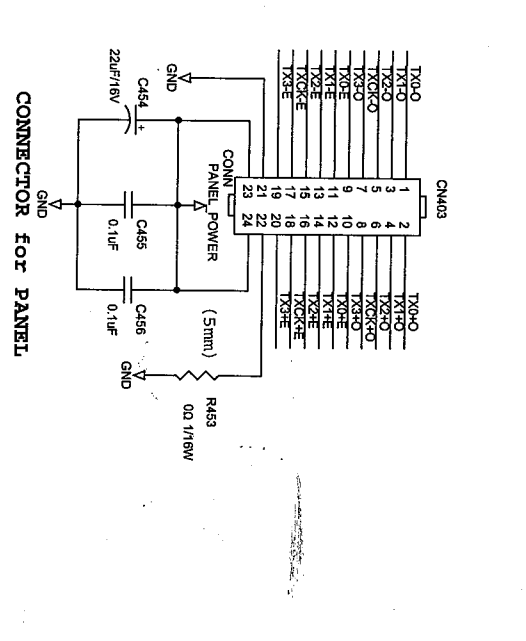
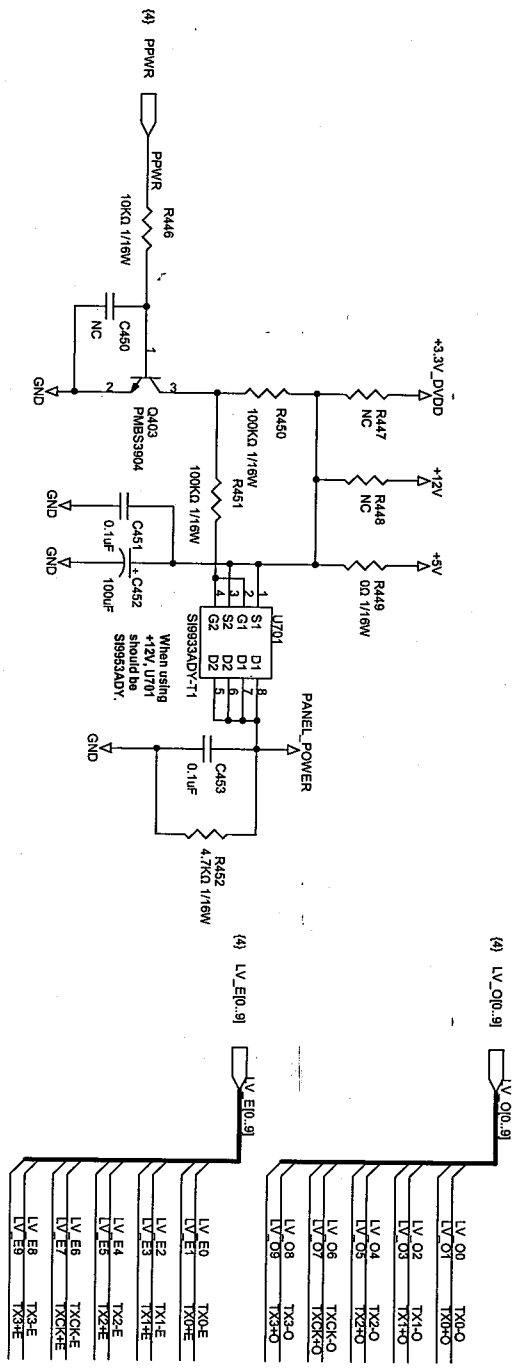
Size: B

Document Number: **715L1301-B.DSN**

Date: Wednesday, March 31, 2004

Sheet: 6 of 8

Rev: B



**NOC**  
EVER VALUE

7. DISPLAY

Document Number: 715L1301-B DSN

Date: Wednesday, March 31, 2004

Sheet 7 of 8

Rev B

