

EXHIBIT 5

User's Manual

User's Manual

Owner's Manual

The *Spectrum* series

Model No: 4V/4VA/4Vlr/4VlrA

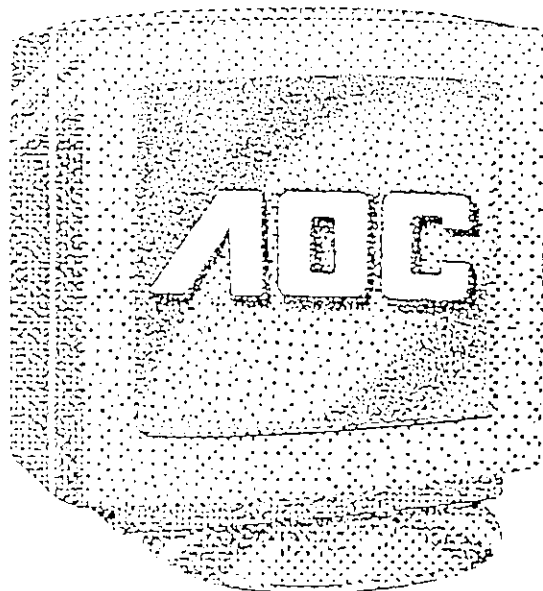


Table of Content

General Description -----	2
Power Saving Feature-----	2
Packing Lists-----	2
Operating Instructions -----	3
Technical Information -----	5-6
Specifications-----	5-6
Factory Preset Timing Table-----	7
Operation -----	8
Using the Right Power Cord -----	10
Installing and Removing the Swivel Base -----	10
Green Monitor -----	11
DDC1/2B Feature -----	11
External Controls and Connectors -----	12
Limited Three-Year Warranty -----	13-14

GENERAL DESCRIPTION

IMPORTANT-READ THIS BEFORE ATTEMPTING TO OPERATE THIS MONITOR

Power Saving Feature

This monitor meets the Power Management standards as set by the Video Electronics Standards Association (VESA) and/or the United States Environmental Protection Agency (EPA). This feature is designed to conserve electrical energy by reducing power consumption when there is no video input signal present. When there is no video input signal this monitor, following a time-out period, will automatically switch to an OFF mode. This reduces the monitor's internal power supply consumption. After the video input signal is restored, full power is restored and the display is automatically redrawn. The appearance is similar to a "Screen Saver" feature except the display is completely off. The display is restored by pressing a key on the keyboard, or clicking the mouse.

THIS MONITOR WILL APPEAR TO BE NON-FUNCTIONAL IF THERE IS NO VIDEO INPUT SIGNAL. IN ORDER FOR THIS MONITOR TO OPERATE PROPERLY, THERE MUST BE A VIDEO INPUT SIGNAL.

As an Energy Star Partner, AOC International has determined that this product meets the Energy Star guidelines for energy efficiency.

Packing Lists

The following list contains all items included in the package:

1. Monitor
2. Owner's Manual
3. Power Cord (Refer to the "using the right power cord" statement)
4. Swivel Base
5. Audio Cable (For 4VA/4VlrA only)

Plug & Play Driver for AOC Spectrum Series Monitors is available on AOC Web Site: www.aocltd.com

『NOTE』 :

The Audio port is not available till now.
Doesn't provide this port before submitted to FCC.

OPERATING INSTRUCTIONS

Before operating the monitor please read this manual thoroughly. This manual should be retained for future reference.

FCC RADIO FREQUENCY INTERFERENCE STATEMENT WARNING: (FOR FCC CERTIFIED MODELS)

This equipment has been tested and found to comply with the limits for a Class B digital device, pursuant to Part 15 of the FCC Rules. These limits are designed to provide reasonable protection against harmful interference in a residential installation. This equipment generates, uses and can radiate radio frequency energy, and if not installed and used in accordance with the instructions, may cause harmful interference to radio communications. However, there is no guarantee that interference will not occur in a particular installation. If this equipment does cause harmful interference to radio or television reception, which can be determined by turning the equipment off and on, the user is encouraged to try to correct the interference by one or more of the following measures:

1. Reorient or relocate the receiving antenna.
2. Increase the separation between the equipment and receiver.
3. Connect the equipment into an outlet on a circuit different from that to which the receiver is connected.
4. Consult the dealer or an experienced radio/TV technician for help.

Notice

1. The changes or modifications not expressly approved by the party responsible for compliance could void the user's authority to operate the equipment.
2. Shielded interface cables and A.C. power cord, if any, must be used in order to comply with the emission limits.
3. The manufacturer is not responsible for any radio or TV interference caused by unauthorized modification to this equipment. It is the responsibilities of the user to correct such interference.

Warning

To prevent fire or shock hazard, do not expose the monitor to rain or moisture. Dangerously high voltages are present inside the monitor. Do not open the cabinet. Refer servicing to qualified personnel only.

Power Saving Feature

House current operation.

Insert the plug of the AC power cord into a convenient AC wall outlet with line voltage exactly the same as the voltage indicated on the rear panel.

Precautions

- When operating on the line cord, plug in only to AC outlets with line voltage exactly the same as the voltage indicated on the rear panel.
- Should any liquid or solid object fall into the cabinet, unplug the monitor and have it checked by qualified personnel before operating it further.
- Allow adequate air circulation to prevent internal heat build-up. Do not place the monitor set on soft surfaces (rugs, blankets, etc.) or near materials (curtain, draperies) that may block the ventilation holes.
- Do not attempt to make any of the adjustments at the small holes on the bottom of the monitor. These are special adjustments to be performed only by qualified personnel, to be used for an extended period of time.
- To disconnect the cord, pull it out by the plug. Never pull the cord itself.
- Make sure to connect to computer with AC outlet, rated minimum 1.5A, 100 - 240Vac.

TECHNICAL INFORMATION

Specifications	
CRT	35.5CM (14"), 90° deflection, 29mm neck, 0.28mm dot pitch non-glare screen.
Viewable Image Size	33CM (13"), diagonal
Display Color	Unlimited colors
• Analog input	
Input Signal	All timing that meet scanning frequency specification
• Video	• Analog R, G, B 0.7Vpp positive/75 ohm
• Sync.	• Horizontal sync. Positive/Negative • Vertical sync. Positive/Negative
Synchronization	30KHz to 54KHz automatically 50Hz - 120Hz automatically
• Horizontal	
• Vertical	
Resolution	800 x 600 Max.
Video bandwidth	80MHz
Factory Preset mode Timings :	6
User mode Timings :	12
Misconvergence	0.3mm Max. 0.4mm Max.
• Center	
• Corner	
Power Source	Switching mode power supply AC 100-240V, 50Hz/60Hz full range
Operating Humidity	0°C to 40°C ambient 10% to 85% relative, non-condensing

Weight	10.7Kgs(Net), 12.5Kgs(Gross) for 4V/4Vlr 11.0Kgs(Net), 12.8Kgs(Gross) for 4VA/4VlrA
Dimensions	
• Monitor	350(W) X 352(H) X 370(D)mm
• Carton	438(W) X 394(H) X 460(D)mm
Signal Cable	15 pin mini D-Sub
Audio Cable	3.5 ϕ Male to Male (for 4VA/4VlrA only)
External Controls:	
Switch	<ul style="list-style-type: none"> • Power On/Off switch • Up/Down Key • Function Key
Functions	<ul style="list-style-type: none"> • Contrast • Brightness • H-Size • H-Phase • V-Size • V-Center • Pincushion • Trapezoid • Volume (for 4VA/4VlrA only)
Speaker (for 4VA/4VlrA only)	
• Rate power	2W (per channel)
• Impedance	16 Ω
Audio (for 4VA/4VlrA only)	
• Audio output	1W (per channel)
• Frequency response	100Hz ~ 15KHz @ \pm 3dB
• Distortion	< 3%
• Input sensitivity	0.9Vpp ~ 1.1Vpp
Regulations	UL, CSA, DHHS, FCC-B, TÜV/GS, CE TÜV/MPR-II

『NOTE』 :

The Audio port is not available till now.
Doesn't provide this port before submitted to FCC.

Factory Preset Timing Table

Timing	VGA 480 60Hz	VGA 400 70Hz	VGA 480 75Hz
Mode	1.	2.	3.
Resolution	640 X 480	720 X 400	640 X 480
H-Polarity	Negative	Negative	Negative
V-Polarity	Negative	Positive	Negative
Hori. Freq.	31.47KHz	31.47KHz	37.5KHz
Vert. Freq.	60Hz	70Hz	75Hz

Timing	VESA EVGA 640 X 480 85Hz	VESA EVGA 800 X 600 75Hz	VESA EVGA 800 X 600 85Hz
Mode	4.	5.	6.
Resolution	640 X 480	800 X 600	800 X 600
H-Polarity	Negative	Positive	Positive
V-Polarity	Negative	Positive	Positive
Hori. Freq.	43.3KHz	46.875KHz	53.67KHz
Vert. Freq.	85Hz	75Hz	85Hz

OPERATION

- The power cord should be connected.
- Connect signal cable from monitor to PC D-type output jack.
- To turn the monitor on, press the POWER switch to ON position. The power indicator will light up.
- Your monitor features a unique quick switch system which provides a picture within seconds after the monitor is switched on. Unlike conventional instant picture system, there is absolutely no power consumption when the monitor is not in use.
- When you turn on the monitor. The function LEDs will light up simultaneously for a while, then extinguish. You can press the Up/Down key to get the optimal volume for the 4VA/4VlrA model only. The most left LED will flash to indicate the adjustable levels have reached to the maximum or minimum. It is accompanied with Audio. If you press the func./down key simultaneously it function as a audio mute, and press up or down key to release mute function.
- You can adjust one of the eight functions including Contrast, Brightness, H-Size, H-Phase, V-Size, V-Center, Pincushion and Trapezoid. Simply press the Function key and the LED will be light up corresponding to the one selected. Then press the Up/Down key to get the optimum. (please refer to page 12 "External Controls and Connectors")
- If you press the Up/Down key consecutively in one direction, The LED will flash to indicate the adjustable levels have reached to the maximum or minimum. It can't be adjusted anymore.
- If you release the Up/Down key, the monitor will memorizes the value you have adjusted.
- If you press the Up/Down key simultaneously, it functions as a Recall function. The monitor will be back to the factory preset conditions.

Notes

- Do not install the monitor in a location near heat sources such as radiators or air ducts, or in a place subject to direct sunlight, or excessive dust or mechanical vibration or shock.
- Save the original shipping carton and packing material. They will come in handy if you ever have to ship your monitor.
- For maximum protection, repack your monitor as it was originally packed at the factory.
- To keep the monitor looking brand-new, periodically clean it with a soft cloth. Stubborn stains may be removed with a cloth lightly dampened with a mild detergent solution. Never use strong solvents such as thinner or benzene or abrasive cleaners, since these will damage the cabinet. As a safety precaution, always unplug the monitor before cleaning it.

To Adjust the Picture

- If the picture contrast is too strong, too weak or overshoot, adjust the CONTRAST CONTROL.
- If the picture is too bright or too dark, adjust the BRIGHTNESS CONTROL.
- If the width of the picture is not suitable, adjust H-SIZE CONTROL.
- If the picture is not on the center of the screen, adjust H-PHASE CONTROL, or V-CENTER CONTROL.
- If the height of the picture is not suitable, adjust V-SIZE CONTROL.
- If the picture is barrel or pincushion on the left and right edge, adjust PINCUSHION CONTROL.
- The picture could be folded over when the H-PHASE CONTROL is adjusted to the extreme leftside or rightside. You can get the normal picture by re-adjusting the H-PHASE CONTROL.
- If the picture is a Trapezoid distortion, you can adjust Trapezoid control to get the suitable picture.

USING THE RIGHT POWER CORD

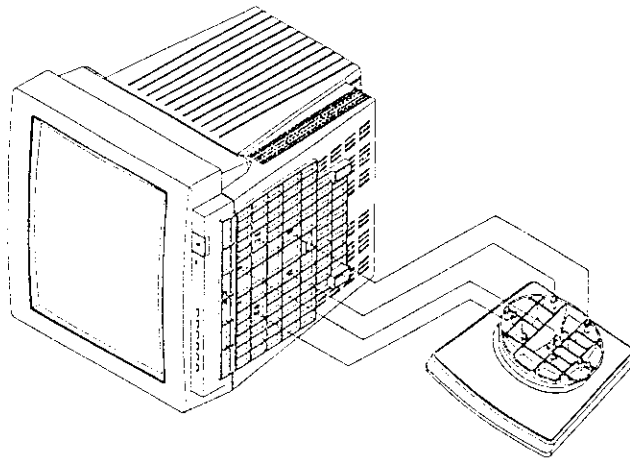
The accessory Power Cord for the Northern American region is the wallet plug with NEMA 5-15 style and is UL Listed and CSA Labeled. The voltage rating for the Power Cord shall be 125 volts AC.

Supplied with Units Intended for Connection to Power outlet of Personal Computer: Please use a cord set consisting of a minimum No. 18 AWG, type SJT or SVT three conductors flexible cord. One end terminates with a grounding type attachment plug, rated 10 A, 250V, CEE-22 male configuration. The other end terminates with a molded-on type connector body, rated 10A, 250V, having standard CEE-22 female configuration.

INSTALLING AND REMOVING THE SWIVEL BASE

To attach the swivel base to the monitor, do the following:

- Carefully turn the monitor on its side or upside down.
- Locate the cavities at the bottom front of the monitor.
- Insert the pegs on the swivel base into these cavities. Push the swivel base forward until the swivel base locks in place.
- Turn the monitor right-side UP and begin to install the monitor.
- To remove the swivel base, hold the bottom of the swivel base, then push it out. User can easily lift off the swivel base from the monitor body.



Installing the Swivel Base

GREEN MONITOR

- The monitor has the power saving function following the VESA DPMS. If your PC system is Green PC, the monitor can act as Green Monitor. Otherwise it is just a normal monitor.
- The power saving states can be indicated by the light-emitting diode (LED) on the front panel:

State	LED Color
On	Green
Standby/Suspend	Flash Green
Off	Flash Green

The Socket-outlet shall be installed near the equipment and shall be easily accessible.

This Ergonomics-relevant statement is necessary since the contrast ratios of Blue: Background were found to be less than 3:1 for all of these models.

This safety-relevant statement is necessary since the power switches are not two pole type with 3mm contact gaps in the above models.

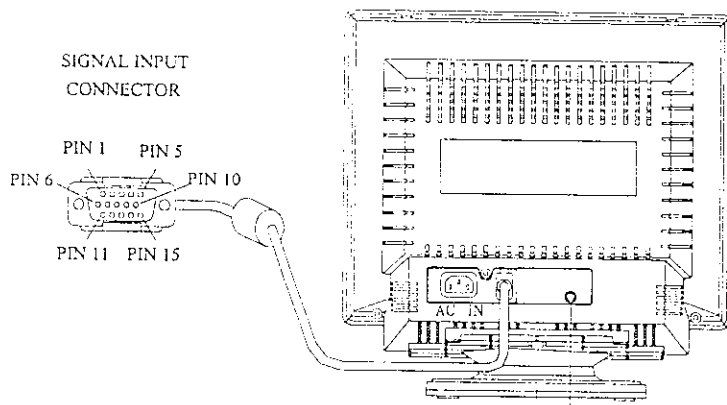
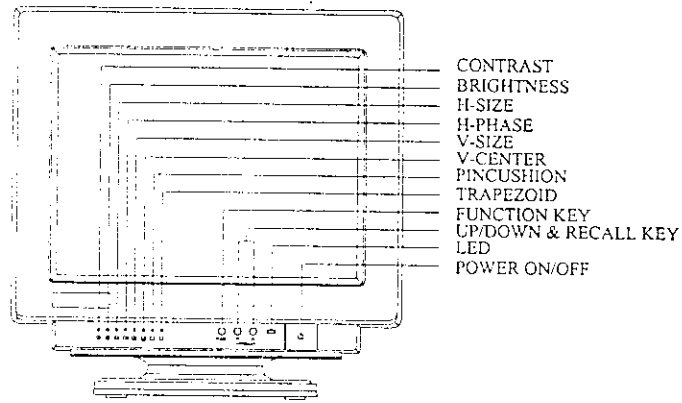
The sound pressure level at the operators position according to IEC 704-1:1982 is equal or less than 70dB (A).

DDC1/2B FEATURE (Comply with Windows 95 Plug & Play)

This monitor is equipped with VESA DDC1/2B according to VESA DDC STANDARD. It will allow the monitor to inform the host system about its identity and, depending on the level of DDC used, communicate additional levels of display capabilities. The communication channel is defined in two levels, one DDC1 and one DDC2B.

The DDC1 is a uni-directional data channel from the Display to the Host, continuously transmitting EDID information. The DDC2B is a uni-directional data channel based on the I²C protocol. The host can request EDID information over the DDC2B channel.

EXTERNAL CONTROLS AND CONNECTORS



Power Speaker input(for 4VA/4VlrA only)

- | | |
|----------|----------------------|
| 1. R | 9. NC |
| 2. G | 10. GND |
| 3. B | 11. GND |
| 4. GND | 12. SDA |
| 5. GND | 13. H-SYNC |
| 6. R-GND | 14. V-SYNC / (*VCLK) |
| 7. G-GND | 15. SCL |
| 8. B-GND | * FOR DDC |

『NOTE』 :

The Audio port is not available till now.
Doesn't provide this port before submitted to FCC.

LIMITED THREE-YEAR WARRANTY

for AOC Color Monitors

Including those Sold within the European Countries as Specified

AOC International warrants this product to be free from defects in material and workmanship for a period of three (3) years after the original date of consumer purchase. During this period, AOC International will, at its option, either repair the defective product with new or rebuilt parts, or replace it with a new or rebuilt product at no charge except as *stated below. The parts or product that are replaced become the property of AOC International (USA) Ltd.

In the USA to obtain service under this limited warranty, call AOC International for the name of the Authorized Service Center in your area. Deliver the product freight pre-paid, along with the dated proof of purchase, to the AOC Authorized Service Center. If you cannot deliver the product in person:

- Pack it in its original shipping container (or equivalent)
- Put the RMA number on the address label
- Put the RMA number on the shipping carton
- Insure it (or assume the risk of loss / damage during shipment)
- Pay all shipping charges

AOC International is not responsible for damage to inbound product that was not properly packaged.

AOC International will pay the return shipment charges within one of the countries specified within this warranty statement. AOC International is not responsible for any costs associated with the transportation of product across international borders. This includes the international borders of the countries within this warranty statements.

In the United States contact your Dealer or AOC International Customer Service, RMA Department at the toll free number (800) 775-1262.

In Canada, Europe (this warranty is valid in the member countries of the European Community). Contact your Dealer, Reseller, Distributor or the organization where you obtained your monitor in case of problems during the warranty period in order to receive factory level approved service. In Europe all repairs will be done at AOC Authorized Service Centers similar to the ones in the USA.

* This limited warranty does not cover any losses or damages that occur as a result of:

- Shipping or improper installation or maintenance

- ❶ Misuse
- ❷ Neglect
- ❸ Any cause other than ordinary commercial or industrial application
- ❹ Adjustment by non-authorized source
- ❺ Repair, modification, or installation of options or parts by anyone other than an AOC Authorized Service Center
- ❻ Improper environment
- ❼ Excessive or inadequate heating or air conditioning or electrical power failures, surges, or other irregularities

This three-year limited warranty does not cover any of the product's firmware or hardware that you or any third party have modified or altered; you bear the sole responsibility and liability for any such modification or alteration.

ALL EXPRESS AND IMPLIED WARRANTIES FOR THIS PRODUCT (INCLUDING THE WARRANTIES OF MERCHANTABILITY AND FITNESS FOR A PARTICULAR PURPOSE) ARE LIMITED IN DURATION TO A PERIOD OF THREE (3) YEARS FOR PARTS AND LABOR FROM THE ORIGINAL DATE OF CONSUMER PURCHASE. NO WARRANTIES (EITHER EXPRESSED OR IMPLIED) APPLY AFTER THIS PERIOD. IN THE UNITED STATES OF AMERICA, SOME STATES DO NOT ALLOW LIMITATIONS ON HOW LONG AN IMPLIED WARRANTY LASTS, SO THE ABOVE LIMITATIONS MAY NOT APPLY TO YOU.

AOC INTERNATIONAL'S OBLIGATIONS AND YOUR REMEDIES HEREUNDER ARE SOLELY AND EXCLUSIVELY AS STATED HERE. AOC INTERNATIONAL'S LIABILITY, WHETHER BASED ON CONTRACT, TORT, WARRANTY, STRICT LIABILITY, OR OTHER THEORY, SHALL NOT EXCEED THE PRICE OF THE INDIVIDUAL UNIT WHOSE DEFECT OR DAMAGE IS THE BASIS OF THE CLAIM. IN NO EVENT SHALL AOC INTERNATIONAL BE LIABLE FOR ANY LOSS OF PROFITS, LOSS OF USE OR FACILITIES OR EQUIPMENT OR OTHER INDIRECT, INCIDENTAL, OR CONSEQUENTIAL DAMAGE. IN THE UNITED STATES OF AMERICA, SOME STATES DO NOT ALLOW THE EXCLUSION OR LIMITATION OF INCIDENTAL OR CONSEQUENTIAL DAMAGES. SO THE ABOVE LIMITATION MAY NOT APPLY TO YOU. ALTHOUGH THIS LIMITED WARRANTY GIVES YOU SPECIFIC LEGAL RIGHTS. YOU MAY HAVE OTHER RIGHTS WHICH MAY VARY FROM STATE TO STATE.

In the United States of America, this limited warranty is only valid for Products purchased in the Continental United States, Alaska, and Hawaii.

Outside the United States of America, this limited warranty is only valid for Products purchased in Canada and the member countries of the European Union.

AOC INTERNATIONAL (USA) LTD. LIMITED WARRANTY REGISTRATION

Please type or print all information.

Product will be used in Office Home.

Model No.	Serial No.	Date Purchased
Purchaser's Name		
Purchaser's Address		
	City	State Zip
Dealer's Name		
Dealer's Address		
	City	State Zip

IMPORTANT: Please complete and mail this card as soon as possible. This will assure the validation & registration of your warranty.