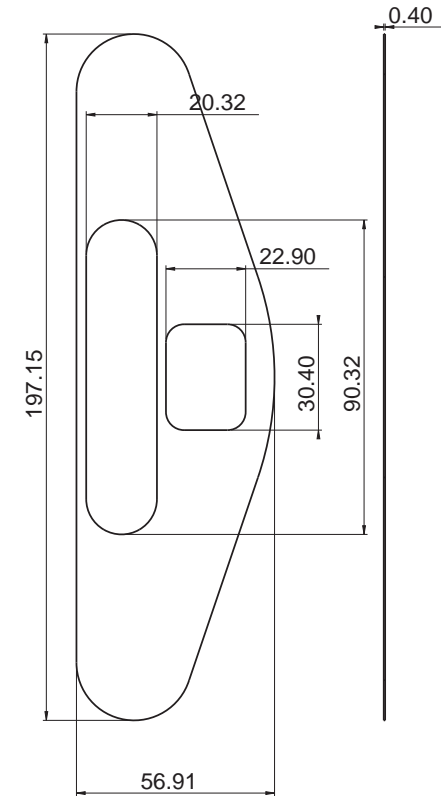


label 料号: label Part NO.: Q40G055N-066-01A	
客户 Customer	
型号 Model	GA5A00001
销向 Sales Area	WW
安规审核Safety parts:	
Yes	<input checked="" type="checkbox"/> No <input type="checkbox"/>
内销中文字体要求高度1.8mm以上	
Yes	<input checked="" type="checkbox"/> No <input type="checkbox"/>
针对带有UL logo的标签,其厂家须在最小包装上标示UL Recognized Component Mark  公司名称,型号及 UL file no.	
条码印刷: barcode print: 1.所有条码等级:C级及以上,客户有特殊要求除外;	
REVISION	
VERSION A 版本变更说明: Version Changed Description:	
备注Remark:  July-28-16 SHUDI.YOU	
捷联电子(福建)有限公司 TPV Electronics (Fujian) Co., Ltd. 地址(Add): 中国福建省福清市元洪路上郑 Shangzheng, Yuanhong Road, Fuqing City, Fujian Province, China 电话(Tel): +86-591-85285555 85285559 传真(Fax): +86-591-85285447 邮编(Postcode): 350301	



Material : PC  
Color: White Characters / Black background  
材质: PC  
颜色: 黑底白字



NOTE:

- 印刷如上图  
Printing as the drawing
- 尺寸:具体见上图所示(公差: +/-0.2mm)  
Dimension:as the above drawing(Tolerance:+0/-0.2mm)
- 材质: 0.25mmPC材质带背胶; 青胶3M55236/3M55230  
Material:0.25mmPCwith glue on the backside
- 底色: 黑色; 字体颜色: 白色  
Background color:Black, Fonts color:White
- 贴附位置: 后壳IO LABEL槽内
- 粘力: 将label切成25mm宽, 一端粘贴于钢板上, 以180°方向的力拉胶带另一端, 所得拉力即为粘力。用粘力测试仪进行测试。  
Stickiness strength :Cut label into 25mm width ,one end paste on the plate , with 180 ° direction pulling the other end of the tape, the pull is stickiness strength. With stickiness strength instrument for testing.
- 正常耐温测试: 在钢板上耐温范围为-20~100°C, 在80~100°C保持8小时不翘角,不分层,不脱落,不起泡等。  
在塑胶、纸箱上耐温范围为-20~65° C, 在65°C保持8小时不翘角,不分层,不脱落,不起泡等。  
The normal temperature test: The range of temperature on plate is -20 ~ 100 ° C . In 80 ~ 100 ° C to maintain 8 hours , the label should not be warp,delamination,frothy and so on. The range of temperature on plastic and carton is -20 ~ 65 ° C. In 65 ° C to maintain 8 hours ,the label should not be warp, delamination,frothy and so on.
- 耐温湿度循环测试: 循环条件: 温度-20~65°C, 湿度30~90%, 时间 96小时后不翘角不分层不脱落不起泡等。  
Temperature and humidity cycle test : Cycle conditions:In temperatureof -20 ~ 65 ° C and humidity of 30~90% to maintain 96 hours , the label should not be warp,delamination,frothy and so on.
- 裁切需均匀且印刷不可有溢墨及颜色不均等不良现象  
Printing ink can not have overflow and printing color can not be uneven etc.
- 其它测试要求详见 (FQ-背胶类产品测试检验规格)

- 根据 TPV 推行 RoHS 的有关规定, 所有的原材料及辅助材料必须符合 RoHS 的有关规定
- 所有原材料的规定物质: 如镉 (Cd) 汞 (Hg) 铅 (Pb) 六价铬 PBB's PBDE's 及镉 (Cd)+汞 (Hg)+铅 (Pb)+六价铬 (针对随机出货的包装材料) 的具体含量依据最新版 RD EMS-01<<供应商环境管理物质管控标准>>的具体限值要求执行

- According to the rule about RoHS of TPV, All raw material and assistant material should accord with the rule of RoHS
- All the stated substance of raw material: the actual content of Cd/Hg/Pb/Cr/PBB's/PBDE's and Cd+Hg+Pb+Cr(aim at the packing material with the product), should accord with the latest version of RD EMS-01<<The controlled standard about environment substance for supplier>>.