

## FCC Test Report

**Report No.:** RF170308D08

**FCC ID:** ARS-PWMAW631B

**Test Model:** 278C7QJ

**Model No.:** 278C7QJCS

**Received Date:** Mar. 8, 2017

**Test Date:** Mar. 14 ~ 15, 2017

**Issued Date:** Mar. 17, 2017

**Applicant:** TOP VICTORY ELECTRONICS (TAIWAN) CO., LTD.

**Address:** 10F., No 230, Liancheng Rd., Zhonghe Dist., New Taipei City 23553, Taiwan

**Issued By:** Bureau Veritas Consumer Products Services (H.K.) Ltd., Taoyuan Branch

**Lab Address:** No. 47-2, 14th Ling, Chia Pau Vil., Lin Kou Dist., New Taipei City, Taiwan



This report is for your exclusive use. Any copying or replication of this report to or for any other person or entity, or use of our name or trademark, is permitted only with our prior written permission. This report sets forth our findings solely with respect to the test samples identified herein. The results set forth in this report are not indicative or representative of the quality or characteristics of the lot from which a test sample was taken or any similar or identical product specifically and expressly noted. Our report includes all of the tests requested by you and the results thereof based upon the information that you provided to us. You have 60 days from date of issuance of this report to notify us of any material error or omission caused by our negligence, provided, however, that such notice shall be in writing and shall specifically address the issue you wish to raise. A failure to raise such issue within the prescribed time shall constitute your unqualified acceptance of the completeness of this report, the tests conducted and the correctness of the report contents. Unless specific mention, the uncertainty of measurement has been explicitly taken into account to declare the compliance or non-compliance to the specification. The report must not be used by the client to claim product certification, approval, or endorsement by TAF or any government agencies.

## Table of Contents

<b>Release Control Record</b> .....	<b>3</b>
<b>1 Certificate of Conformity</b> .....	<b>4</b>
<b>2 Summary of Test Results</b> .....	<b>5</b>
2.1 Measurement Uncertainty.....	5
2.2 Modification Record.....	5
<b>3 General Information</b> .....	<b>6</b>
3.1 General Description of EUT.....	6
3.2 Description of Test Modes.....	7
3.2.1 Test Mode Applicability and Tested Channel Detail.....	8
3.3 Description of Support Units.....	9
3.3.1 Configuration of System under Test.....	9
3.4 General Description of Applied Standards.....	9
<b>4 Test Types and Results</b> .....	<b>10</b>
4.1 Radiated Emission and Bandedge Measurement.....	10
4.1.1 Limits of Radiated Emission and Bandedge Measurement.....	10
4.1.2 Test Instruments.....	11
4.1.3 Test Procedures.....	12
4.1.4 Deviation from Test Standard.....	12
4.1.5 Test Set Up.....	13
4.1.6 EUT Operating Conditions.....	13
4.1.7 Test Results.....	14
4.2 Conducted Emission Measurement.....	16
4.2.1 Limits of Conducted Emission Measurement.....	16
4.2.2 Test Instruments.....	16
4.2.3 Test Procedures.....	17
4.2.4 Deviation from Test Standard.....	17
4.2.5 Test Setup.....	17
4.2.6 EUT Operating Conditions.....	17
4.2.7 Test Results.....	18
<b>5 Pictures of Test Arrangements</b> .....	<b>20</b>
<b>Appendix – Information on the Testing Laboratories</b> .....	<b>21</b>

### Release Control Record

Issue No.	Description	Date Issued
RF170308D08	Original release.	Mar. 17, 2017

## 1 Certificate of Conformity

**Product:** LCD MONITOR with Wireless Qi Charger

**Brand:** PHILIPS

**Test Model:** 278C7QJ

**Model No.:** 278C7QJCS

**Sample Status:** Engineering sample

**Applicant:** TOP VICTORY ELECTRONICS (TAIWAN) CO., LTD.

**Test Date:** Mar. 14 ~ 15, 2017

**Standards:** 47 CFR FCC Part 15, Subpart C (Section 15.209)  
ANSI C63.10: 2013

The above equipment has been tested by **Bureau Veritas Consumer Products Services (H.K.) Ltd., Taoyuan Branch**, and found compliance with the requirement of the above standards. The test record, data evaluation & Equipment Under Test (EUT) configurations represented herein are true and accurate accounts of the measurements of the sample's EMC characteristics under the conditions specified in this report.

**Prepared by :**  , **Date:** Mar. 17, 2017  
Jessica Cheng / Senior Specialist

**Approved by :**  , **Date:** Mar. 17, 2017  
Rex Lai / Assistant Manager

## 2 Summary of Test Results

47 CFR FCC Part 15, Subpart C (SECTION 15.209)			
FCC Clause	Test Item	Result	Remarks
15.207	AC Power Conducted Emission	PASS	Meet the requirement of limit. Minimum passing margin is -10.93dB at 13.53125MHz.
15.209	Radiated Emission Test	PASS	Meet the requirement of limit. Minimum passing margin is -4.57dB at 291.591MHz.

### 2.1 Measurement Uncertainty

Where relevant, the following measurement uncertainty levels have been estimated for tests performed on the EUT as specified in CISPR 16-4-2:

Measurement	Frequency	Expanded Uncertainty (k=2) ( $\pm$ )
Conducted Emissions at mains ports	150kHz ~ 30MHz	2.77 dB
Radiated Emissions up to 1 GHz	9kHz ~ 30MHz	2.38 dB
	30MHz ~ 1000MHz	5.54 dB

### 2.2 Modification Record

There were no modifications required for compliance.

### 3 General Information

#### 3.1 General Description of EUT

Product	LCD MONITOR with Wireless Qi Charger
Brand	PHILIPS
Test Model	278C7QJ
Model No.	278C7QJCS
Model Difference	Refer to note below
Status of EUT	Engineering sample
Power Supply Rating	20Vdc from Adapter For Monitor 5Vdc from Monitor For Wireless Qi Charger
Modulation Type	Load Modulation
Operating Frequency	110-205kHz
Tested Frequency	184kHz
Antenna Type	Loop antenna
Antenna Connector	N/A
Accessory Device	Adapter
Data Cable Supplied	N/A
Maximum power output from the charging coil	Less than 5W

Note:

1. The EUT is a LCD MONITOR with Wireless Qi Charger.
2. All models are listed as below.

Brand	Model	Difference
PHILIPS	278C7QJ	Marketing purpose
	278C7QJCS	

3. The EUT uses following adapter.

Brand	TPV
Model	ADPC2065
Input Power	100-240V, 1.5A, 50-60Hz
Output Power	20V, 3.25A
Power Cord	Non-shielded DC cable (1.0m) with one ferrite core

4. The above EUT information is declared by manufacturer and for more detailed features description, please refer to the manufacturer's specifications or user's manual.

### 3.2 Description of Test Modes

1 channel is provided to this EUT:

Channel	Frequency (kHz)
1	184

### 3.2.1 Test Mode Applicability and Tested Channel Detail

EUT CONFIGURE MODE	APPLICABLE TO		DESCRIPTION
	RE<1G	PLC	
	√	√	-

Where **RE<1G**: Radiated Emission below 1GHz **PLC**: Power Line Conducted Emission

#### **Radiated Emission Test (Below 1GHz):**

- Pre-Scan has been conducted to determine the worst-case mode from all possible combinations between available modulations, data rates and antenna ports (if EUT with antenna diversity architecture).
- Following channel(s) was (were) selected for the final test as listed below.

EUT CONFIGURE MODE	AVAILABLE CHANNEL	TESTED CHANNEL
-	1	1

#### **Power Line Conducted Emission Test:**

- Pre-Scan has been conducted to determine the worst-case mode from all possible combinations between available modulations, data rates and antenna ports (if EUT with antenna diversity architecture).
- Following channel(s) was (were) selected for the final test as listed below.

EUT CONFIGURE MODE	AVAILABLE CHANNEL	TESTED CHANNEL
-	1	1

#### **Test Condition:**

APPLICABLE TO	ENVIRONMENTAL CONDITIONS	INPUT POWER	TESTED BY
PLC	20deg. C, 73% RH	120Vac, 60Hz(Adapter)	Aaron You
RE<1G	20deg. C, 76% RH	120Vac, 60Hz(Adapter)	Ian Chang



### 3.3 Description of Support Units

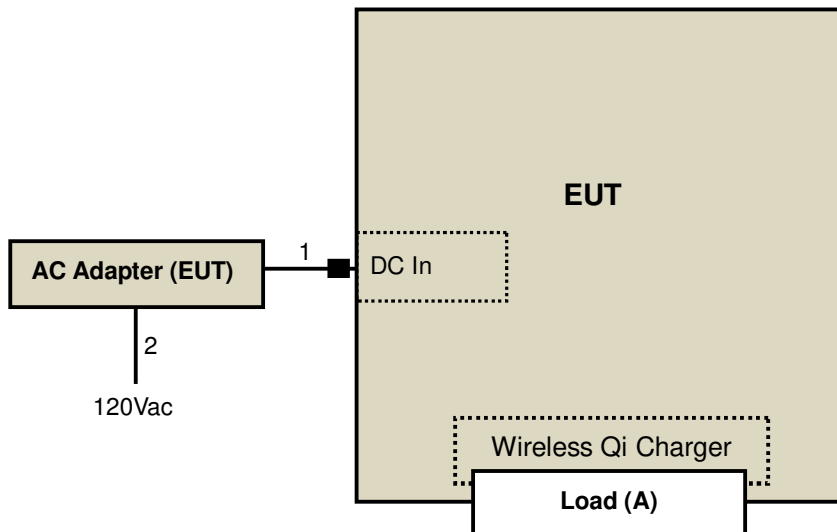
ID	Product	Brand	Model No.	Serial No.	FCC ID	Remarks
A.	Load	N/A	N/A	N/A	N/A	Supplied by client

Note: All power cords of the above support units are non-shielded (1.8m).

ID	Descriptions	Qty.	Length (m)	Shielding (Yes/No)	Cores (Qty.)	Remarks
1.	DC cable	1	1.0	N	1	Supplied by client
2.	AC Power Cord	1	1.5	N	0	Provided by Lab

Note: The core(s) is(are) originally attached to the cable(s).

#### 3.3.1 Configuration of System under Test



### 3.4 General Description of Applied Standards

The EUT is a RF Product. According to the specifications of the manufacturer, it must comply with the requirements of the following standards:

#### FCC Part 15, Subpart C (15.209)

ANSI C63.10-2013

All test items have been performed and recorded as per the above standards.

**NOTE:** The EUT has been verified to comply with the requirements of FCC Part 15, Subpart B, Class B (DoC). The test report has been issued separately.

## 4 Test Types and Results

### 4.1 Radiated Emission and Bandedge Measurement

#### 4.1.1 Limits of Radiated Emission and Bandedge Measurement

##### FOR FREQUENCY BELOW 30MHz

FREQUENCY (MHz)	FIELD STRENGTH (dBuV/m)		MEASUREMENT DISTANCE (meters)
	uV/m	dBuV/m	
0.009 – 0.490	2400 / F (kHz)	48.52-13.80	300
0.490 – 1.705	24000 / F (kHz)	33.80-22.97	30
1.705 – 30.0	30	29.54	30

##### FOR FREQUENCY BETWEEN 30-1000MHz

FREQUENCY (MHz)	Class A (at 10m)		Class B (at 3m)	
	uV/m	dBuV/m	uV/m	dBuV/m
30-88	90	39.1	100	40.0
88-216	150	43.5	150	43.5
216-960	210	46.4	200	46.0
Above 960	300	49.5	500	54.0

## 4.1.2 Test Instruments

DESCRIPTION & MANUFACTURER	MODEL NO.	SERIAL NO.	CALIBRATED DATE	CALIBRATED UNTIL
HP Preamplifier	8447D	2432A03504	Feb. 21, 2017	Feb. 20, 2018
HP Preamplifier	8449B	3008A01201	Feb. 22, 2017	Feb. 21, 2018
MITEQ Preamplifier	AMF-6F-260400-33-8P	892164	Feb. 21, 2017	Feb. 20, 2018
Agilent TEST RECEIVER	N9038A	MY51210129	Feb. 08, 2017	Feb. 07, 2018
Schwarzbeck Antenna	VULB 9168	139	Dec. 13, 2016	Dec. 12, 2017
Schwarzbeck Antenna	VHBA 9123	480	May 29, 2015	May 28, 2017
Schwarzbeck Horn Antenna	BBHA-9170	212	Dec. 30, 2016	Dec. 29, 2017
Schwarzbeck Horn Antenna	BBHA 9120-D1	D130	Dec. 27, 2016	Dec. 26, 2017
ADT. Turn Table	TT100	0306	NA	NA
ADT. Tower	AT100	0306	NA	NA
Software	Radiated_V7.6.15.9.5	NA	NA	NA
SUHNER RF cable With 4dB PAD	SF104	CABLE-CH6	Aug. 15, 2016	Aug. 14, 2017
SUHNER RF cable With 3dB PAD	SF102	Cable-CH8-3.6m	Aug. 15, 2016	Aug. 14, 2017
KEYSIGHT MIMO Powermeasurement Test set	U2021XA	U2021XA-001	May 25, 2016	May 24, 2017
KEYSIGHT Spectrum Analyzer	N9030A	MY54490260	Jul. 26, 2016	Jul. 25, 2017
Loop Antenna EMCI	LPA600	270	Aug. 20, 2015	Aug. 19, 2017
Highpass filter Wainwright Instruments	WHK 3.1/18G-10SS	SN 8	NA	NA
ROHDE & SCHWARZ Spectrum Analyzer	FSV40	101042	Sep. 30, 2016	Sep. 29, 2017

- NOTE:**
1. The calibration interval of the above test instruments is 12/24 months. And the calibrations are traceable to NML/ROC and NIST/USA.
  2. The horn antenna and HP preamplifier (model: 8449B) are used only for the measurement of emission frequency above 1GHz if tested.
  3. The test was performed in Chamber No. 6.
  4. The Industry Canada Reference No. IC 7450E-6.
  5. The FCC Site Registration No. is 447212.

#### 4.1.3 Test Procedures

##### For Frequency range 9kHz~30MHz

- a. The EUT was placed on the top of a rotating table 0.8 meters above the ground at a 3 meter chamber room. The table was rotated 360 degrees to determine the position of the highest radiation.
- b. The EUT was set 3 meters away from the interference-receiving antenna, which was mounted on the top of a variable-height antenna tower.
- c. Both X and Y axes of the antenna are set to make the measurement.
- d. For each suspected emission, the EUT was arranged to its worst case and the rotatable table was turned from 0 degrees to 360 degrees to find the maximum reading.
- e. The test-receiver system was set to Quasi-Peak Detect Function and Specified Bandwidth with Maximum Hold Mode.

**NOTE:** The resolution bandwidth and video bandwidth of test receiver/spectrum analyzer is 9kHz at frequency below 30MHz.

##### For Frequency range 30 ~ 1000MHz

- a. The EUT was placed on the top of a rotating table 0.8 meters (for below 1GHz) / 1.5 meters (for above 1GHz) above the ground at 3 meter chamber room for test. The table was rotated 360 degrees to determine the position of the highest radiation.
- b. The EUT was set 3 meters away from the interference-receiving antenna, which was mounted on the top of a variable-height antenna tower.
- c. The height of antenna is varied from one meter to four meters above the ground to determine the maximum value of the field strength. Both horizontal and vertical polarizations of the antenna are set to make the measurement.
- d. For each suspected emission, the EUT was arranged to its worst case and then the antenna was tuned to heights from 1 meter to 4 meters and the rotatable table was turned from 0 degrees to 360 degrees to find the maximum reading.
- e. The test-receiver system was set to quasi-peak detect function and specified bandwidth with maximum hold mode when the test frequency is below 1 GHz.
- f. The test-receiver system was set to peak and average detect function and specified bandwidth with maximum hold mode when the test frequency is above 1 GHz. If the peak reading value also meets average limit, measurement with the average detector is unnecessary.

**Note:**

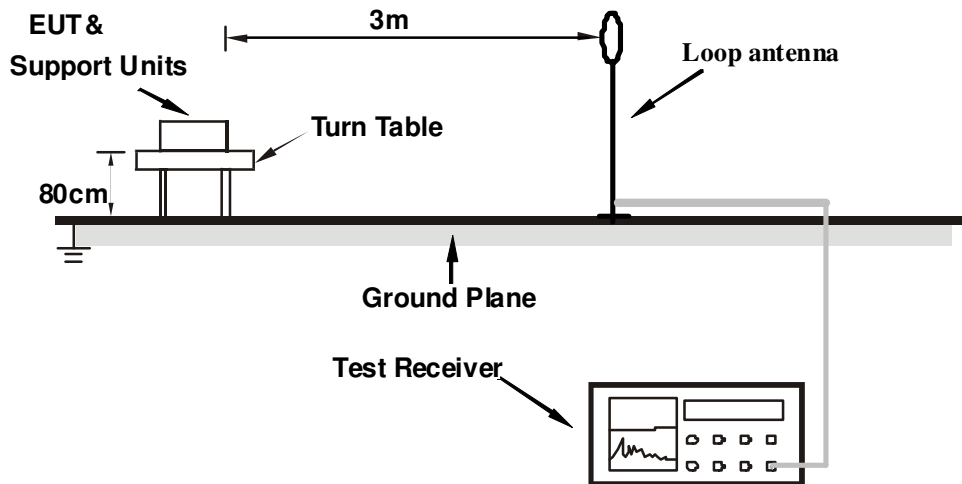
1. The resolution bandwidth and video bandwidth of test receiver/spectrum analyzer is 120kHz for Quasi-peak detection (QP) at frequency below 1GHz.
2. All modes of operation were investigated and the worst-case emissions are reported.

#### 4.1.4 Deviation from Test Standard

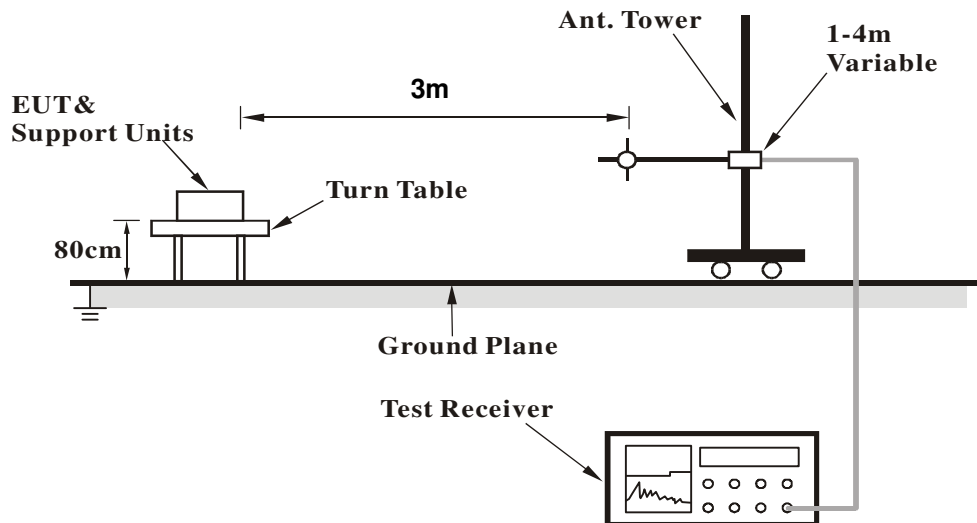
No deviation.

#### 4.1.5 Test Set Up

##### For Frequency range 9kHz~30MHz



##### For Frequency range 30 ~ 1000MHz



For the actual test configuration, please refer to the attached file (Test Setup Photo).

#### 4.1.6 EUT Operating Conditions

- Connected the Adapter to EUT.
- Turned on the power of all equipment.
- The load which supplied by the client is meant to simulate the charging condition.
- EUT charged to Load continuously.

#### 4.1.7 Test Results

##### Below 30MHz Data:

<b>CHANNEL</b>	TX Channel 1	<b>DETECTOR FUNCTION</b>	Quasi-Peak
<b>FREQUENCY RANGE</b>	9 kHz ~ 30 MHz		

ANTENNA POLARITY & TEST DISTANCE: LOOP ANTENNA OPEN AT 3m								
NO.	FREQ. (MHz)	EMISSION LEVEL (dBuV/m)	LIMIT (dBuV/m)	MARGIN (dB)	ANTENNA HEIGHT (m)	TABLE ANGLE (Degree)	RAW VALUE (dBuV)	CORRECTION FACTOR (dB/m)
1	*0.184	61.97 QP	102.32	-40.35	1.00 H	267	50.20	11.77
2	0.552	44.47 QP	72.76	-28.29	1.00 H	158	40.93	3.54
3	0.920	35.67 QP	68.32	-32.65	1.00 H	129	35.01	0.66
4	1.288	29.15 QP	65.41	-36.26	1.00 H	345	29.43	-0.28
5	18.516	24.90 QP	69.54	-44.64	1.00 H	223	29.76	-4.86
6	29.594	26.58 QP	69.54	-42.96	1.00 H	172	27.60	-1.02

ANTENNA POLARITY & TEST DISTANCE: LOOP ANTENNA CLOSE AT 3m								
NO.	FREQ. (MHz)	EMISSION LEVEL (dBuV/m)	LIMIT (dBuV/m)	MARGIN (dB)	ANTENNA HEIGHT (m)	TABLE ANGLE (Degree)	RAW VALUE (dBuV)	CORRECTION FACTOR (dB/m)
1	*0.184	57.96 QP	102.32	-44.36	1.00 V	312	46.19	11.77
2	0.368	40.41 QP	96.29	-55.88	1.00 V	138	34.28	6.13
3	0.552	37.79 QP	72.76	-34.97	1.00 V	323	34.25	3.54
4	0.920	33.07 QP	68.33	-35.26	1.00 V	230	32.41	0.66
5	1.288	25.43 QP	65.41	-39.98	1.00 V	193	25.71	-0.28
6	18.802	30.27 QP	69.54	-39.27	1.00 V	330	35.22	-4.95

#### REMARKS:

- Emission Level(dBuV/m) = Raw Value(dBuV) + Correction Factor(dB/m)
- Correction Factor(dB/m) = Antenna Factor(dB/m) + Cable Factor(dB) – Pre-Amplifier Factor(dB)
- The other emission levels were very low against the limit.
- Margin value = Emission Level – Limit value
- \* \*: Fundamental frequency.
- Loop antenna was used for all radiated emission below 30MHz.
- Limit @3m=Limit@300m+40log(300 / 3)=Limit@300m+80
- Limit @3m=Limit@30m+40log(30 / 3)=Limit@30m+40

**Below 1GHz Data:**

<b>CHANNEL</b>	TX Channel 1	<b>DETECTOR FUNCTION</b>	Quasi-Peak (QP)
<b>FREQUENCY RANGE</b>	30-1000MHz		

**ANTENNA POLARITY & TEST DISTANCE: HORIZONTAL AT 3 M**

NO.	FREQ. (MHz)	EMISSION LEVEL (dBuV/m)	LIMIT (dBuV/m)	MARGIN (dB)	ANTENNA HEIGHT (m)	TABLE ANGLE (Degree)	RAW VALUE (dBuV)	CORRECTION FACTOR (dB/m)
1	47.508	20.89 QP	40.00	-19.11	1.37 H	127	30.25	-9.36
2	184.084	34.88 QP	43.50	-8.62	2.07 H	241	45.67	-10.79
3	213.185	35.83 QP	43.50	-7.67	1.57 H	201	47.07	-11.24
4	<b>291.591</b>	<b>41.43 QP</b>	<b>46.00</b>	<b>-4.57</b>	<b>1.24 H</b>	<b>182</b>	<b>49.02</b>	<b>-7.59</b>
5	389.433	34.21 QP	46.00	-11.79	1.69 H	143	39.77	-5.56
6	498.849	36.98 QP	46.00	-9.02	2.18 H	34	40.08	-3.10

**ANTENNA POLARITY & TEST DISTANCE: VERTICAL AT 3 M**

NO.	FREQ. (MHz)	EMISSION LEVEL (dBuV/m)	LIMIT (dBuV/m)	MARGIN (dB)	ANTENNA HEIGHT (m)	TABLE ANGLE (Degree)	RAW VALUE (dBuV)	CORRECTION FACTOR (dB/m)
1	47.315	31.96 QP	40.00	-8.04	1.81 V	242	41.30	-9.34
2	164.057	35.54 QP	43.50	-7.96	1.42 V	153	44.59	-9.05
3	213.185	34.74 QP	43.50	-8.76	1.73 V	153	45.98	-11.24
4	291.803	38.61 QP	46.00	-7.39	2.06 V	360	46.20	-7.59
5	391.422	38.32 QP	46.00	-7.68	2.27 V	144	43.85	-5.53
6	500.401	37.46 QP	46.00	-8.54	1.82 V	323	40.50	-3.04
7	551.812	37.83 QP	46.00	-8.17	1.00 V	198	39.89	-2.06

**REMARKS:**

1. Emission Level(dBuV/m) = Raw Value(dBuV) + Correction Factor(dB/m)
2. Correction Factor(dB/m) = Antenna Factor(dB/m) + Cable Factor(dB) – Pre-Amplifier Factor(dB)
3. The other emission levels were very low against the limit.
4. Margin value = Emission Level – Limit value

## 4.2 Conducted Emission Measurement

### 4.2.1 Limits of Conducted Emission Measurement

Frequency (MHz)	Conducted Limit (dBuV)	
	Quasi-peak	Average
0.15 - 0.5	66 - 56	56 - 46
0.50 - 5.0	56	46
5.0 - 30.0	60	50

Note: 1. The lower limit shall apply at the transition frequencies.

2. The limit decreases in line with the logarithm of the frequency in the range of 0.15 to 0.50MHz.

### 4.2.2 Test Instruments

Description & Manufacturer	Model No.	Serial No.	Cal. Date	Cal. Due
ROHDE & SCHWARZ TEST RECEIVER	ESCS 30	838251/021	Oct. 24, 2016	Oct. 23, 2017
ROHDE & SCHWARZ Artificial Mains Network (For EUT)	ENV216	101195	Apr. 25, 2016	Apr. 24, 2017
LISN With Adapter (for EUT)	AD10	C03Ada-002	Apr. 25, 2016	Apr. 24, 2017
EMCO L.I.S.N. (For peripherals)	3825/2	9504-2359	Jul. 25, 2016	Jul. 24, 2017
SCHWARZBECK Artificial Mains Network (For EUT)	NNLK8129	8129229	May 04, 2016	May 03, 2017
Software	Cond_V7.3.7.4	NA	NA	NA
RF cable (JYEBAO) With10dB PAD	5D-FB	Cable-C03.01	Sep. 22, 2016	Sep. 21, 2017
LYNICS Terminator (For EMCO LISN)	0900510	E1-01-300	Jan. 18, 2017	Jan. 17, 2018
LYNICS Terminator (For EMCO LISN)	0900510	E1-01-301	Jan. 18, 2017	Jan. 17, 2018
ROHDE & SCHWARZ Artificial Mains Network (For TV EUT)	ESH3-Z5	100220	Nov. 08, 2016	Nov. 07, 2017
LISN With Adapter (for TV EUT)	100220	N/A	Nov. 08, 2016	Nov. 07, 2017

Notes: 1. The calibration interval of the above test instruments is 12 months and the calibrations are traceable to NML/ROC and NIST/USA.

2. The test was performed in Shielded Room No. 3.

3. The VCCI Site Registration No. C-274.



#### 4.2.3 Test Procedures

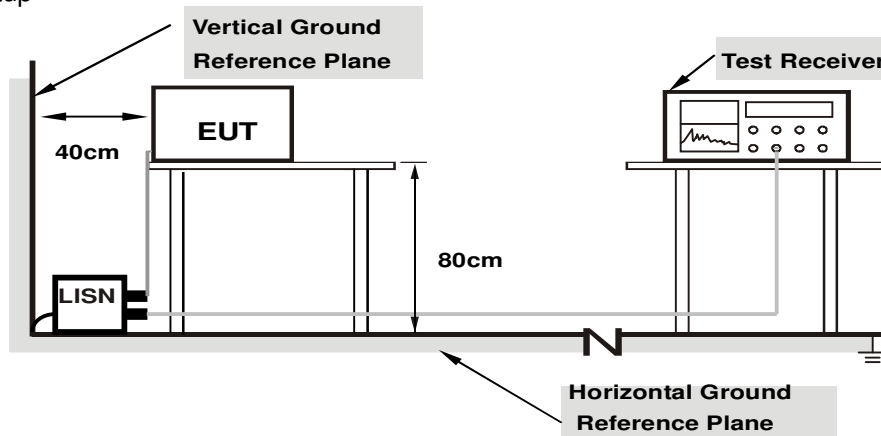
- The EUT was placed 0.4 meters from the conducting wall of the shielded room with EUT being connected to the power mains through a line impedance stabilization network (LISN). Other support units were connected to the power mains through another LISN. The two LISNs provide 50 ohm/ 50uH of coupling impedance for the measuring instrument.
- Both lines of the power mains connected to the EUT were checked for maximum conducted interference.
- The frequency range from 150kHz to 30MHz was searched. Emission levels under (Limit - 20dB) was not recorded.

**NOTE:** The resolution bandwidth and video bandwidth of test receiver is 9kHz for quasi-peak detection (QP) and average detection (AV) at frequency 0.15MHz-30MHz.

#### 4.2.4 Deviation from Test Standard

No deviation.

#### 4.2.5 Test Setup



**Note:** 1.Support units were connected to second LISN.

For the actual test configuration, please refer to the attached file (Test Setup Photo).

#### 4.2.6 EUT Operating Conditions

Same as item 4.1.6.

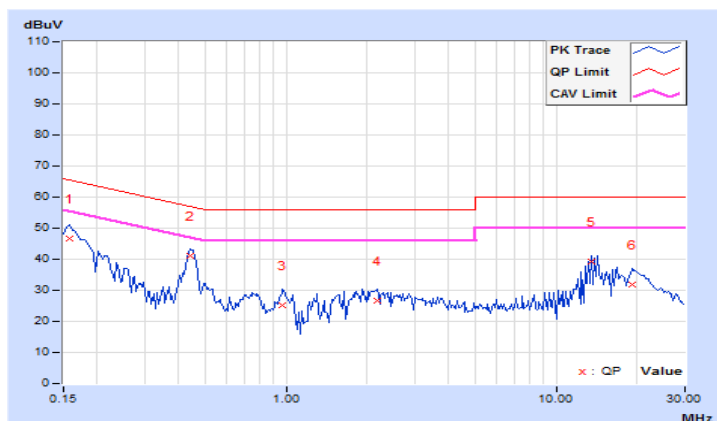
#### 4.2.7 Test Results

<b>Phase</b>	Line 1	<b>6dB Bandwidth</b>	9kHz
<b>Channel</b>	1		

No	Frequency (MHz)	Correction Factor (dB)	Reading Value (dBuV)		Emission Level (dBuV)		Limit (dBuV)		Margin (dB)	
			Q.P.	AV.	Q.P.	AV.	Q.P.	AV.	Q.P.	AV.
1	0.15781	9.74	36.96	19.08	46.70	28.82	65.58	55.58	-18.88	-26.76
2	0.44297	9.75	31.31	23.93	41.06	33.68	57.01	47.01	-15.95	-13.33
3	0.97422	9.78	15.34	8.44	25.12	18.22	56.00	46.00	-30.88	-27.78
4	2.16406	9.81	16.94	8.59	26.75	18.40	56.00	46.00	-29.25	-27.60
5	<b>13.53125</b>	<b>9.93</b>	<b>29.42</b>	<b>29.14</b>	<b>39.35</b>	<b>39.07</b>	<b>60.00</b>	<b>50.00</b>	<b>-20.65</b>	<b>-10.93</b>
6	19.04297	10.01	22.01	17.13	32.02	27.14	60.00	50.00	-27.98	-22.86

**Remarks:**

1. Q.P. and AV. are abbreviations of quasi-peak and average individually.
2. The emission levels of other frequencies were very low against the limit.
3. Margin value = Emission level – Limit value
4. Correction factor = Insertion loss + Cable loss
5. Emission Level = Correction Factor + Reading Value

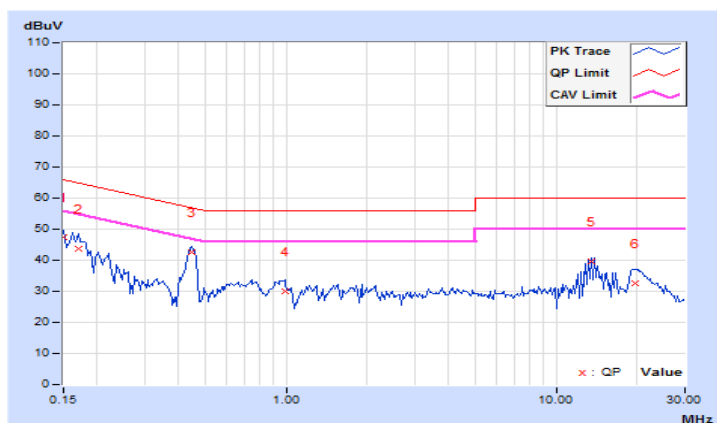


<b>Phase</b>	Line 2	<b>6dB Bandwidth</b>	9kHz
<b>Channel</b>	1		

No	Frequency (MHz)	Correction Factor (dB)	Reading Value (dBuV)		Emission Level (dBuV)		Limit (dBuV)		Margin (dB)	
			Q.P.	AV.	Q.P.	AV.	Q.P.	AV.	Q.P.	AV.
1	0.15001	9.70	37.85	22.45	47.55	32.15	66.00	56.00	-18.45	-23.85
2	0.16953	9.70	34.14	20.02	43.84	29.72	64.98	54.98	-21.14	-25.26
3	0.44688	9.72	32.75	26.25	42.47	35.97	56.93	46.93	-14.46	-10.96
4	0.98984	9.71	20.32	13.24	30.03	22.95	56.00	46.00	-25.97	-23.05
5	13.53125	9.94	29.51	29.01	39.45	38.95	60.00	50.00	-20.55	-11.05
6	19.72656	10.04	22.42	17.46	32.46	27.50	60.00	50.00	-27.54	-22.50

**Remarks:**

1. Q.P. and AV. are abbreviations of quasi-peak and average individually.
2. The emission levels of other frequencies were very low against the limit.
3. Margin value = Emission level – Limit value
4. Correction factor = Insertion loss + Cable loss
5. Emission Level = Correction Factor + Reading Value



## 5 Pictures of Test Arrangements

Please refer to the attached file (Test Setup Photo).

## Appendix – Information on the Testing Laboratories

We, Bureau Veritas Consumer Products Services (H.K.) Ltd., Taoyuan Branch, were founded in 1988 to provide our best service in EMC, Radio, Telecom and Safety consultation. Our laboratories are accredited and approved according to ISO/IEC 17025.

If you have any comments, please feel free to contact us at the following:

**Linko EMC/RF Lab**

Tel: 886-2-26052180

Fax: 886-2-26051924

**Hsin Chu EMC/RF/Telecom Lab**

Tel: 886-3-6668565

Fax: 886-3-6668323

**Hwa Ya EMC/RF/Safety Lab**

Tel: 886-3-3183232

Fax: 886-3-3270892

**Email:** [service.adt@tw.bureauveritas.com](mailto:service.adt@tw.bureauveritas.com)

**Web Site:** [www.bureauveritas-adt.com](http://www.bureauveritas-adt.com)

The address and road map of all our labs can be found in our web site also.

--- END ---