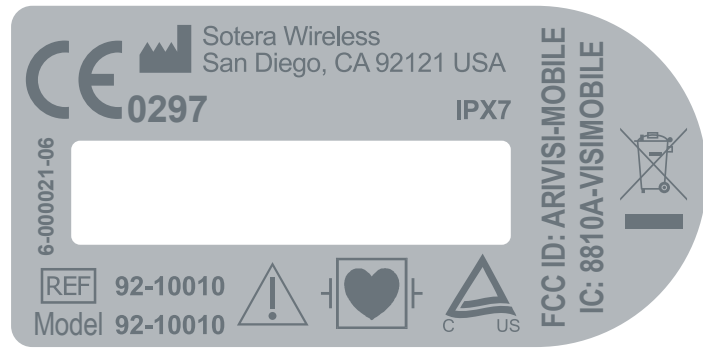


REVISION HISTORY			
REV	DESCRIPTION	CO#	DATE
A	INITIAL RELEASE	01264	04 APR 2012
B	CHANGE ADHESIVE CALLOUT.	01325	10 MAY 2012
C	ADD "Model" TO LABEL	OXXXX	XX XXX XXXX



SCALE: 2=1



SCALE: 1=1

10. IDENTIFY PACKAGING WITH THIS DOCUMENT NUMBER, QUANTITY, EXPIRATION DATE & MANUFACTURING LOT NUMBER.
9. PACKAGING: POLY BAG IN QUANTITIES OF 500 MAXIMUM.
8. SHELF LIFE: 24 MONTHS FROM DATE OF MANUFACTURE. APPLIES TO SHELF LIFE BEFORE APPLYING LABEL TO PRODUCT
7. COLOR(S) SHOWN ARE APPROXIMATIONS ONLY.
6. DASHED LINES AND REGISTRATION MARKS ARE FOR REFERENCE ONLY, DO NOT PRINT.
5. NOMINAL OVERALL THICKNESS: 0.36 - 0.54mm (.014 - .021") WITHOUT LINER.
4. ADHESIVE: 3M 1524A, 0.06mm (.0025") NOMINAL THICKNESS.
3. TEXTURE: VELVET MATTE TEXTURE 09CL3, EXCEPT WHERE NOTED.
2. COLOR: AS SPECIFIED.
1. MATERIAL: SABIC INNOVATIVE PLASTICS, LEXAN HP92S, 0.36 - 0.48mm (.014-.019") THICK, POST-CURE PER MFG'S RECOMENDATIONS.

NOTES: UNLESS OTHERWISE SPECIFIED.

TOLERANCE (UNLESS OTHERWISE SPECIFIED) DIMENSIONS ARE IN MILLIMETERS X = ±1.27 .X = ±.25 .XX = ±.13 ANGLES = ±1°		<b>Sotera</b> WIRELESS SOTERA WIRELESS, INC. 9444 Waples St., Ste 280 San Diego, CA 92121	
PROPRIETARY AND CONFIDENTIAL THE INFORMATION CONTAINED IN THIS DRAWING IS THE SOLE PROPERTY OF SOTERA WIRELESS, INC. ANY REPRO- DUCATION IN PART OR AS A WHOLE WITHOUT THE WRITTEN PERMISSION OF SOTERA WIRELESS, INC. IS PROHIBITED.			
TITLE: <h3 style="text-align: center;">LABEL, IDENTIFICATION, WT</h3>		SIZE <b>B</b>	DWG. NO. <b>6-000021-06</b>
DRAWN BY <b>L.CASTRO</b>		DATE <b>24 JAN 2012</b>	REV <b>C</b>
SCALE: 1:1		SHEET 1 OF 3	

D

D

C

C

B

B

A

A

8

7

6

5

4

3

2

1

8

7

6

5

4

3

2

1





 Sotera Wireless  
 San Diego, CA 92121 USA  
**0297**  
 6-000021-06  
 REF 92-10010  
 Model 92-10010  



 IPX7  
 FCC ID: ARVISI-MOBILE  
 IC: 8810A-VISIMOBILE  


SCALE: 2=1

EVERYTHING SHOWN TO THE LEFT IN BLACK  
TO APPEAR IN THE FOLLOWING COLOR:

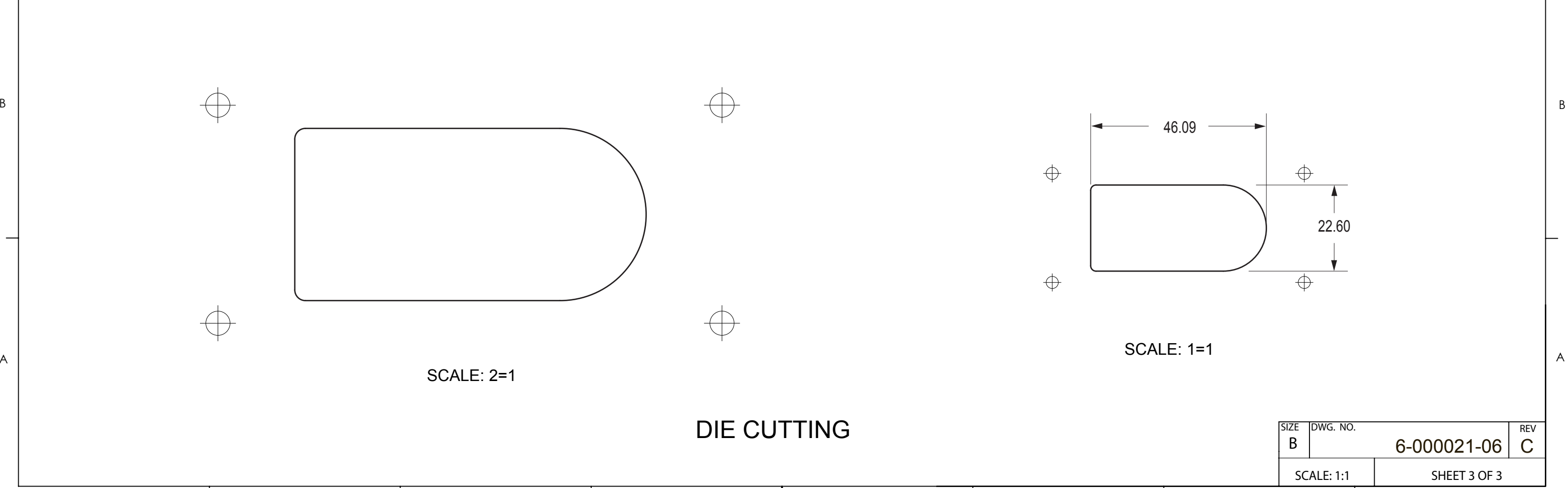
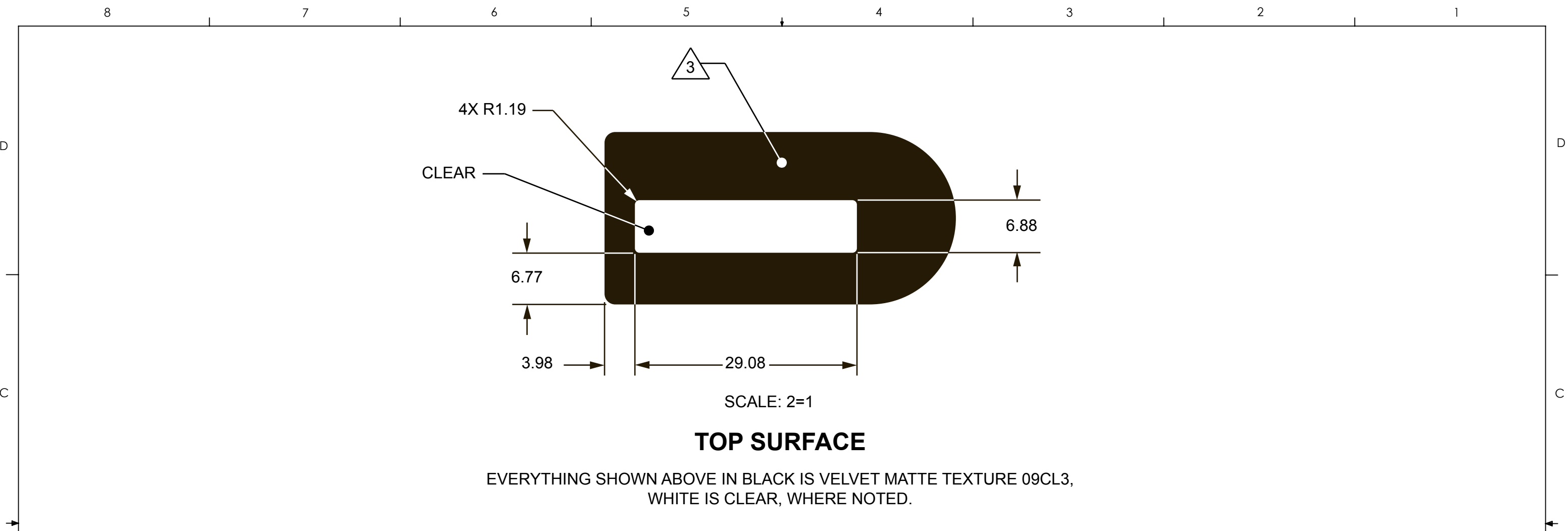


SCALE: 2=1

EVERYTHING SHOWN TO THE LEFT IN BLACK  
TO APPEAR IN THE FOLLOWING COLOR:



SIZE	DWG. NO.	REV
B	6-000021-06	C
SCALE: 1:1		SHEET 2 OF 3



SIZE	DWG. NO.	REV
B	6-000021-06	C
SCALE: 1:1		SHEET 3 OF 3